



Chipsmall Limited consists of a professional team with an average of over 10 year of expertise in the distribution of electronic components. Based in Hongkong, we have already established firm and mutual-benefit business relationships with customers from,Europe,America and south Asia,supplying obsolete and hard-to-find components to meet their specific needs.

With the principle of "Quality Parts,Customers Priority,Honest Operation,and Considerate Service",our business mainly focus on the distribution of electronic components. Line cards we deal with include Microchip,ALPS,ROHM,Xilinx,Pulse,ON,Everlight and Freescale. Main products comprise IC,Modules,Potentiometer,IC Socket,Relay,Connector.Our parts cover such applications as commercial,industrial, and automotives areas.

We are looking forward to setting up business relationship with you and hope to provide you with the best service and solution. Let us make a better world for our industry!



Contact us

Tel: +86-755-8981 8866 Fax: +86-755-8427 6832

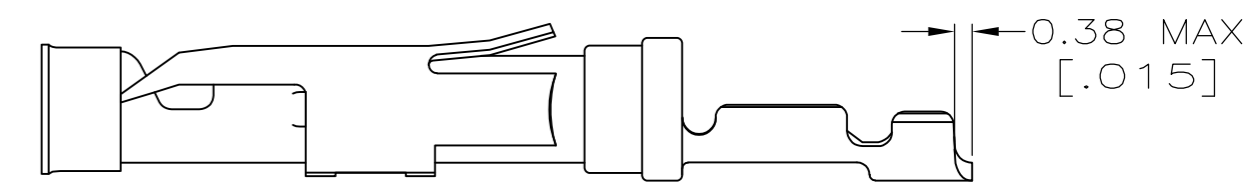
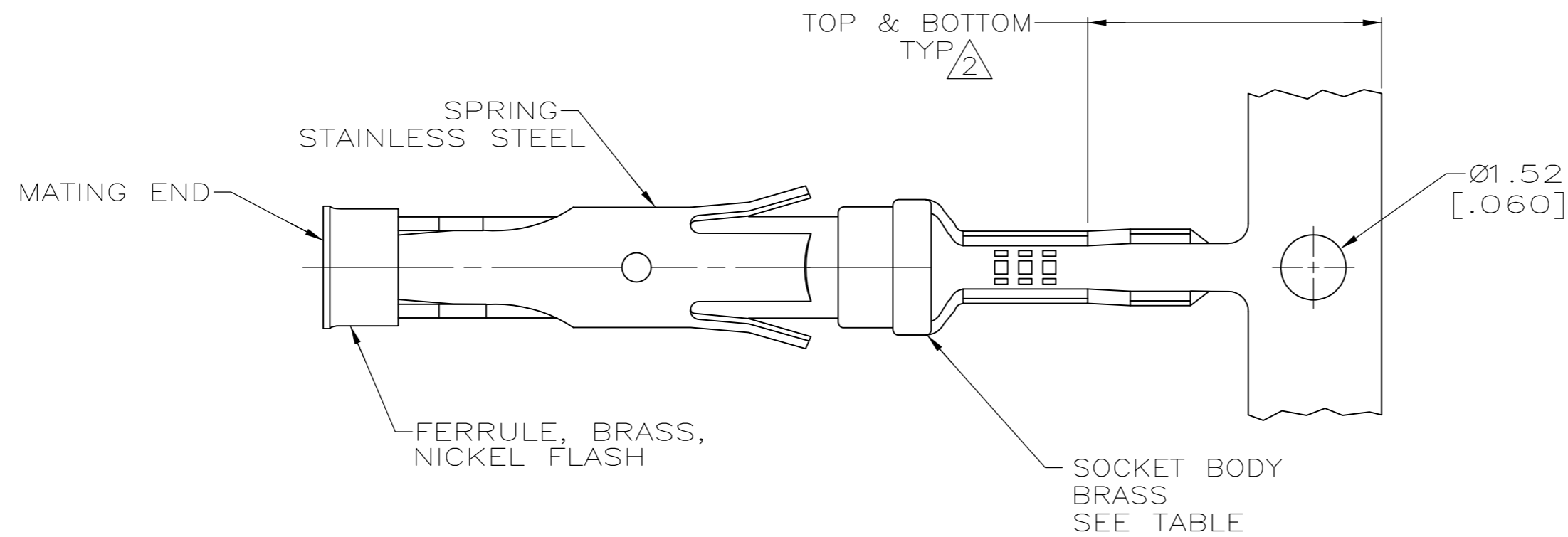
Email & Skype: info@chipsmall.com Web: www.chipsmall.com

Address: A1208, Overseas Decoration Building, #122 Zhenhua RD., Futian, Shenzhen, China



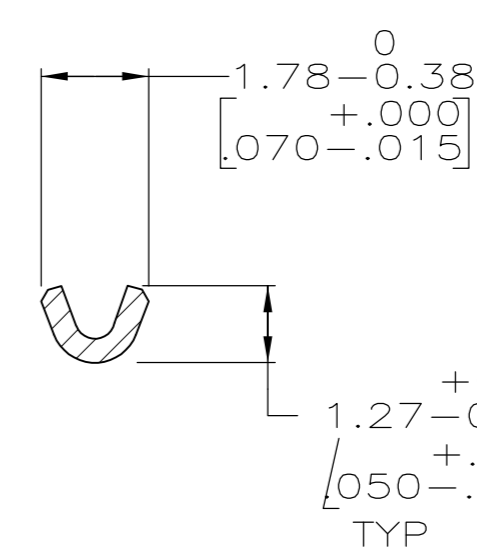
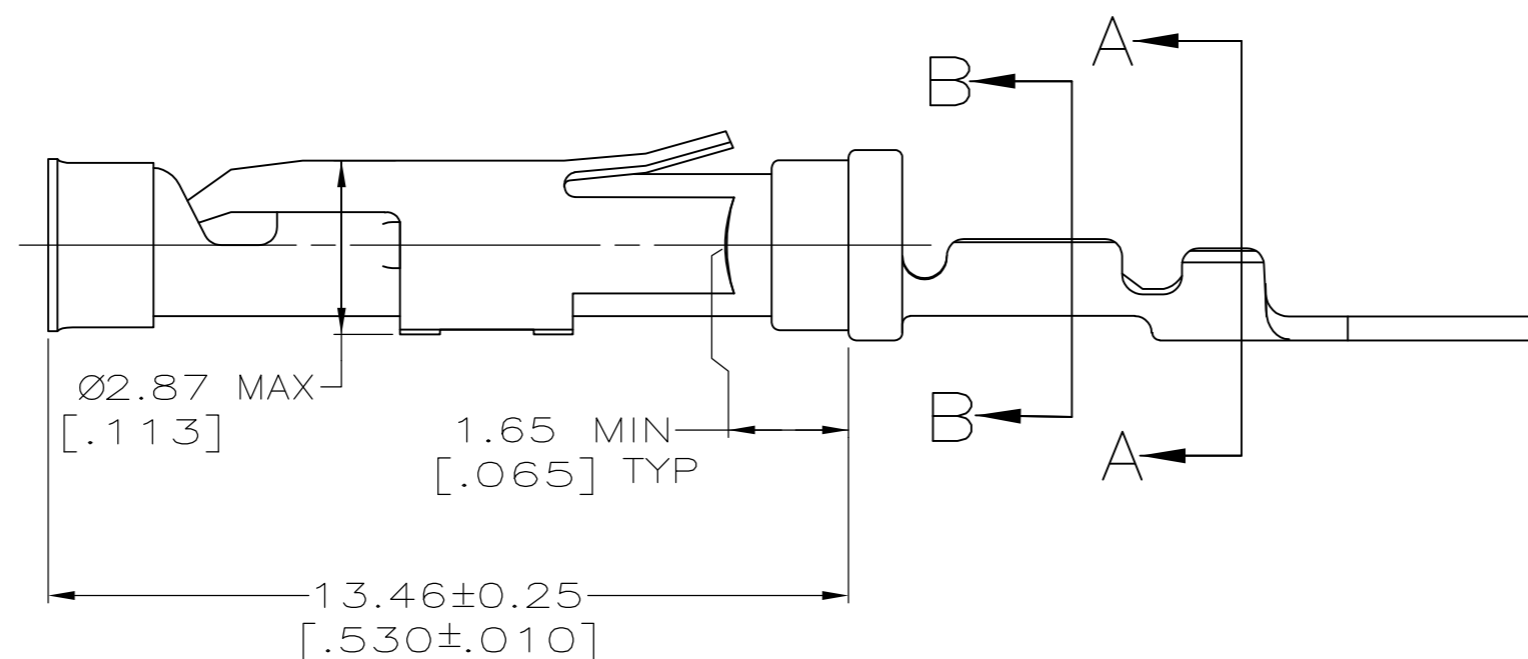
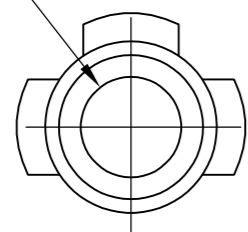
THIS DRAWING IS UNPUBLISHED. RELEASED FOR PUBLICATION
 © COPYRIGHT - By - ALL RIGHTS RESERVED.

LOC	DIST	REVISIONS			
P	LTR	DESCRIPTION	DATE	DWN	APVD
FT	47	C	REVISED PER ECO-12-012320	04JUL12	KH MZ

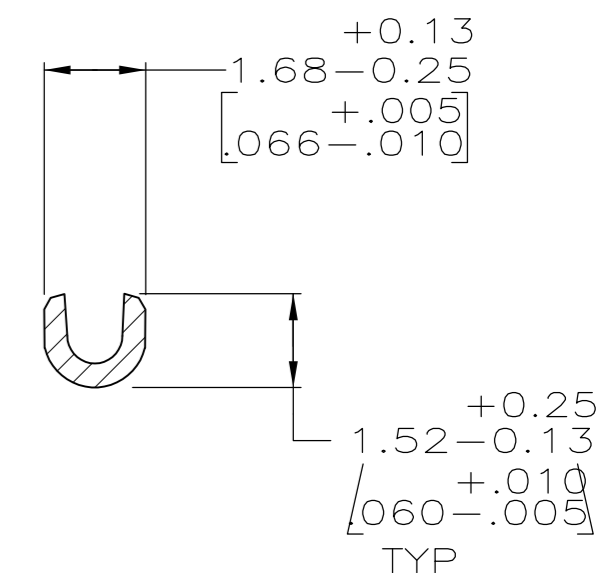


DETAIL F
SCALE 6:1

Ø1.689±0.051
[.0665±.0020]



SECTION B-B



SECTION A-A

- 1 0.76µm [.000030] MIN GOLD PER MIL-G-45204 ON MATING END FOR A LENGTH OF 5.08 [.200] MIN WITH 1.27µm [.000050] MIN MATTE TIN PLATE IN WIRE CRIMP AREA, BOTH OVER 0.76µm [.000030] MIN NICKEL PER QQ-N-290.
- 2 GOLD PLATING NEED NOT APPEAR IN THIS AREA .
- 3. REELED FOR MINI-APPLICATOR.
- 4. WIRE RANGE 28-30 AWG.
- 5 INSULATION RANGE 3.81 [.015]-7.62 [.030] DIA.
- 0.38µm [.000015] MIN GOLD PER MIL-G-45204 ON MATING END FOR A LENGTH OF 5.08 [.200] MIN WITH 1.27µm [.000050] MIN MATTE TIN PLATE IN WIRE CRIMP AREA, BOTH OVER 0.76µm [.000030] MIN NICKEL PER QQ-N-290.

PER DETAIL F	FINISH SOCKET BODY	PART NUMBER
1	5	788088-3
-	1	788088-2
-	-	788088-1

THIS DRAWING IS A CONTROLLED DOCUMENT.		DWN 21 NOV 96 C.OBERMAN		
DIMENSIONS: mm [INCHES]		CHK 22 NOV 96 R.STONE		
TOLERANCES UNLESS OTHERWISE SPECIFIED:		APVD 22 NOV 96 G.STEINHAUER	NAME	
0 PLC ± -		PRODUCT SPEC	SOCKET ASSEMBLY, .062, TYPE III+	
1 PLC ± -		APPLICATION SPEC	SIZE	CAGE CODE
2 PLC ± 0.13 [.005]		108-10042	A2	00779
3 PLC ± -		114-10004	DRAWING NO	RESTRICTED TO
4 PLC ± -		WEIGHT -	C=788088	
ANGLES ± -		CUSTOMER DRAWING	SCALE 8:1	SHEET 1 of 1
MATERIAL SEE CALLOUTS		FINISH SEE CALLOUTS	REV C	

788088