



Chipsmall Limited consists of a professional team with an average of over 10 year of expertise in the distribution of electronic components. Based in Hongkong, we have already established firm and mutual-benefit business relationships with customers from,Europe,America and south Asia,supplying obsolete and hard-to-find components to meet their specific needs.

With the principle of "Quality Parts,Customers Priority,Honest Operation,and Considerate Service",our business mainly focus on the distribution of electronic components. Line cards we deal with include Microchip,ALPS,ROHM,Xilinx,Pulse,ON,Everlight and Freescale. Main products comprise IC,Modules,Potentiometer,IC Socket,Relay,Connector.Our parts cover such applications as commercial,industrial, and automotives areas.

We are looking forward to setting up business relationship with you and hope to provide you with the best service and solution. Let us make a better world for our industry!



Contact us

Tel: +86-755-8981 8866 Fax: +86-755-8427 6832

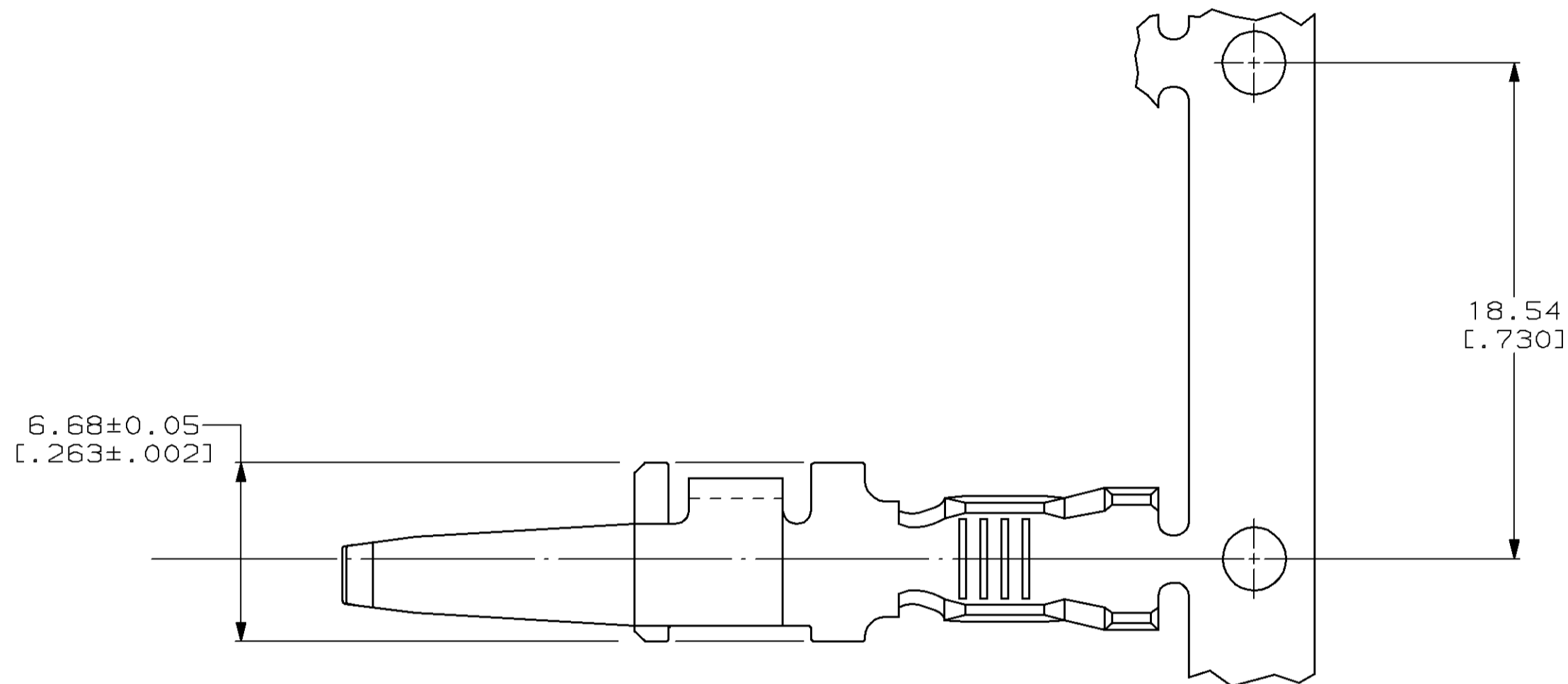
Email & Skype: info@chipsmall.com Web: www.chipsmall.com

Address: A1208, Overseas Decoration Building, #122 Zhenhua RD., Futian, Shenzhen, China

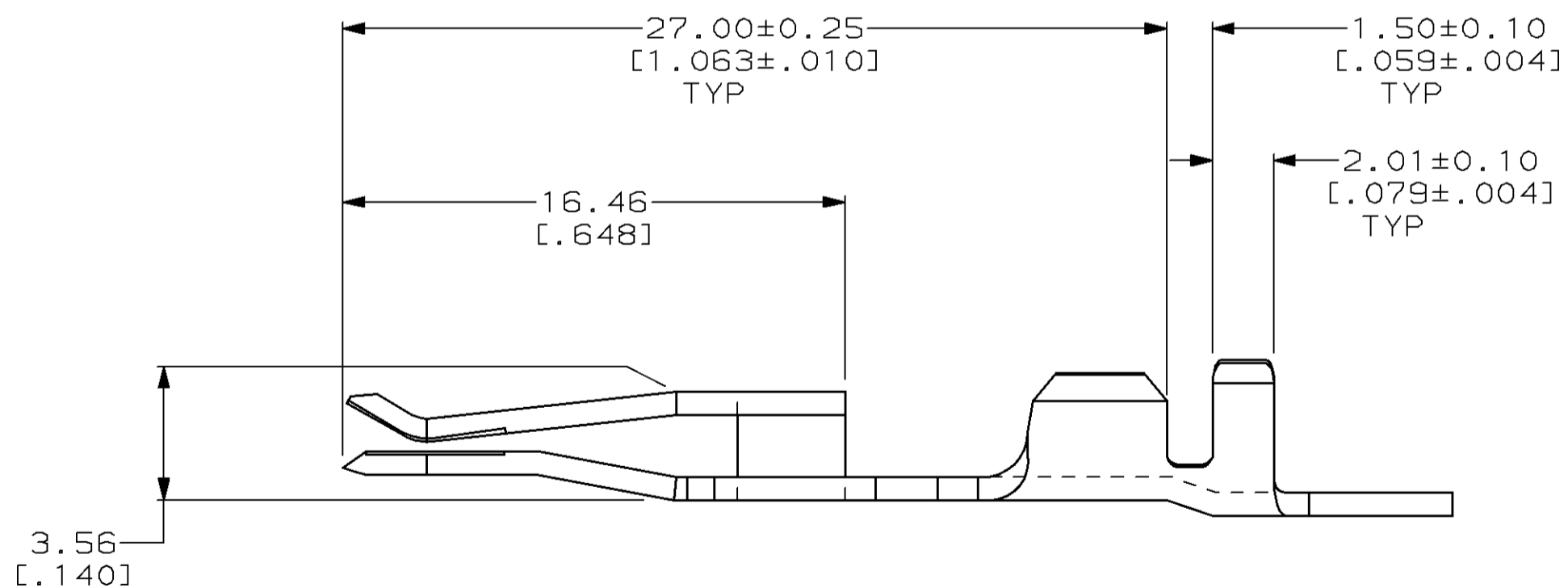


THIS DRAWING IS UNPUBLISHED. RELEASED FOR PUBLICATION
 BY AMP INCORPORATED. ALL RIGHTS RESERVED.

LOC	DIST	REVISIONS					
FT	60	P	LTR	DESCRIPTION	DATE	DWN	APVD
		0		RLSE PER NPR 29 WAS 96-3951-1-1	20 MAR 97	-	-



- 1 ZIRCONIUM COPPER ALLOY
- 2 2.54µm [.000100] MIN TIN.
- 3. WIRE BARREL WILL ACCEPT ONE 18, 16 OR 14 AWG COPPER WIRE OR COMBINATIONS OF 18 AND 16 AWG COPPER WIRE, INSULATION Ø 2.10-3.00 [.083-.118].



788109-1
PART NUMBER

THIS DRAWING IS A CONTROLLED DOCUMENT.		DWN C. OBERMAN 20 MAR 97	AMP Incorporated Harrisburg, PA 17105-3608	
DIMENSIONS: mm [INCHES]		CHK R. STONE 20 MAR 97	NAME M. McALONIS	
TOLERANCES UNLESS OTHERWISE SPECIFIED:		APVD M. McALONIS 20 MAR 97	PRODUCT SPEC 108-1373	
0 PLC ±-		APPLICATION SPEC 114-6051		
1 PLC ±-		SIZE A2		
2 PLC ±0.13 [.005]		CAGE CODE 00779		
3 PLC ±-		DRAWING NO C=788109		
4 PLC ±-		RESTRICTED TO -		
ANGLES ±-		SCALE 5:1		
FINISH		SHEET 1 OF 1		
MATERIAL 1		REV 0		
2		CUSTOMER DRAWING		

618109

A