



Chipsmall Limited consists of a professional team with an average of over 10 year of expertise in the distribution of electronic components. Based in Hongkong, we have already established firm and mutual-benefit business relationships with customers from,Europe,America and south Asia,supplying obsolete and hard-to-find components to meet their specific needs.

With the principle of “Quality Parts,Customers Priority,Honest Operation,and Considerate Service”,our business mainly focus on the distribution of electronic components. Line cards we deal with include Microchip,ALPS,ROHM,Xilinx,Pulse,ON,Everlight and Freescale. Main products comprise IC,Modules,Potentiometer,IC Socket,Relay,Connector.Our parts cover such applications as commercial,industrial, and automotives areas.

We are looking forward to setting up business relationship with you and hope to provide you with the best service and solution. Let us make a better world for our industry!



Contact us

Tel: +86-755-8981 8866 Fax: +86-755-8427 6832

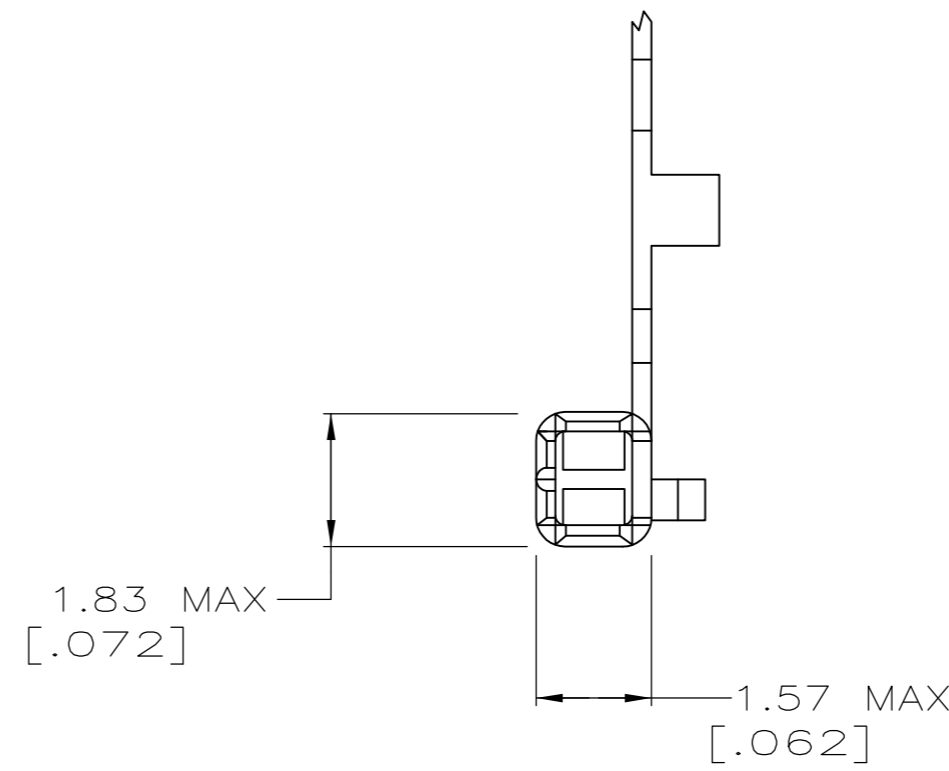
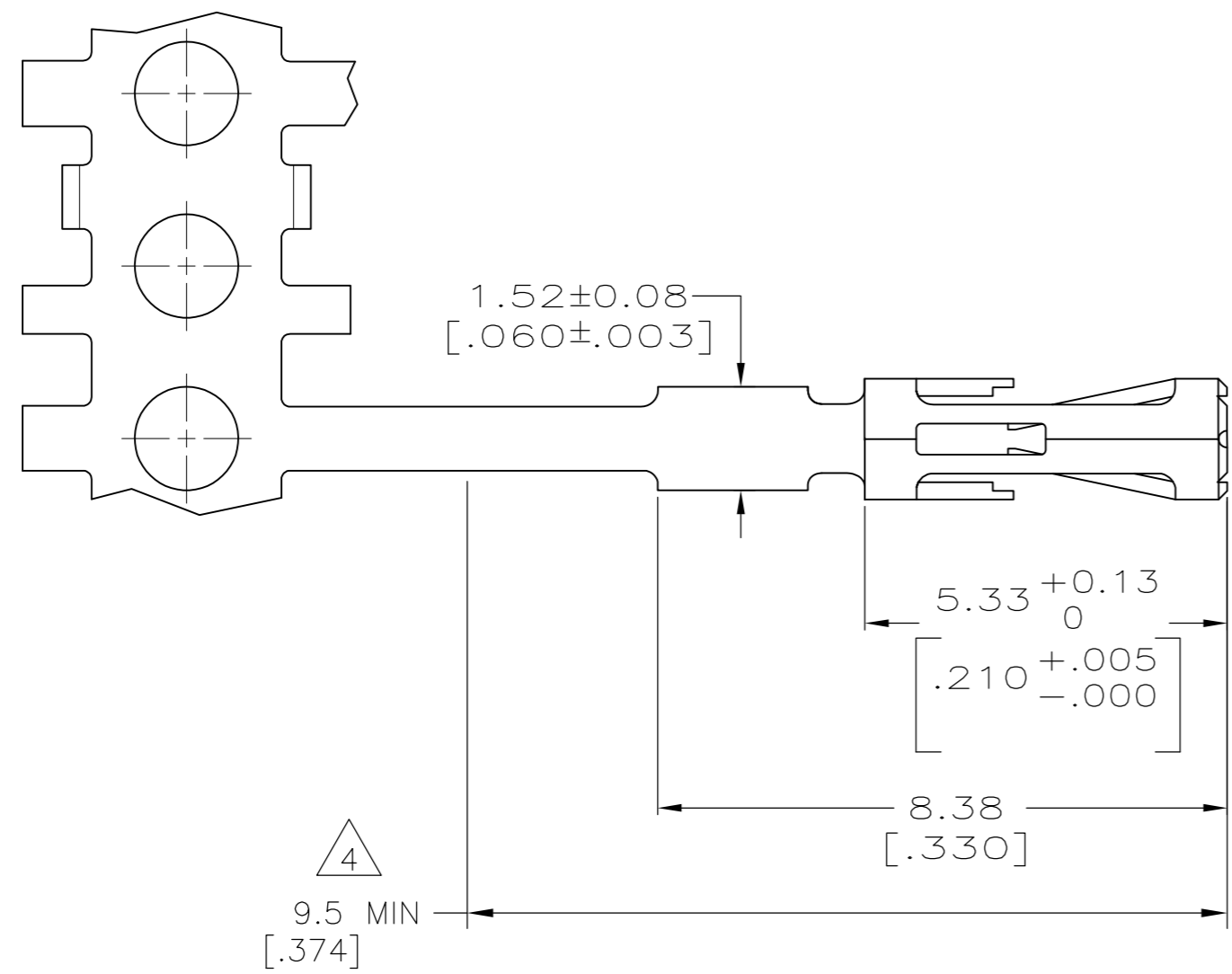
Email & Skype: info@chipsmall.com Web: www.chipsmall.com

Address: A1208, Overseas Decoration Building, #122 Zhenhua RD., Futian, Shenzhen, China



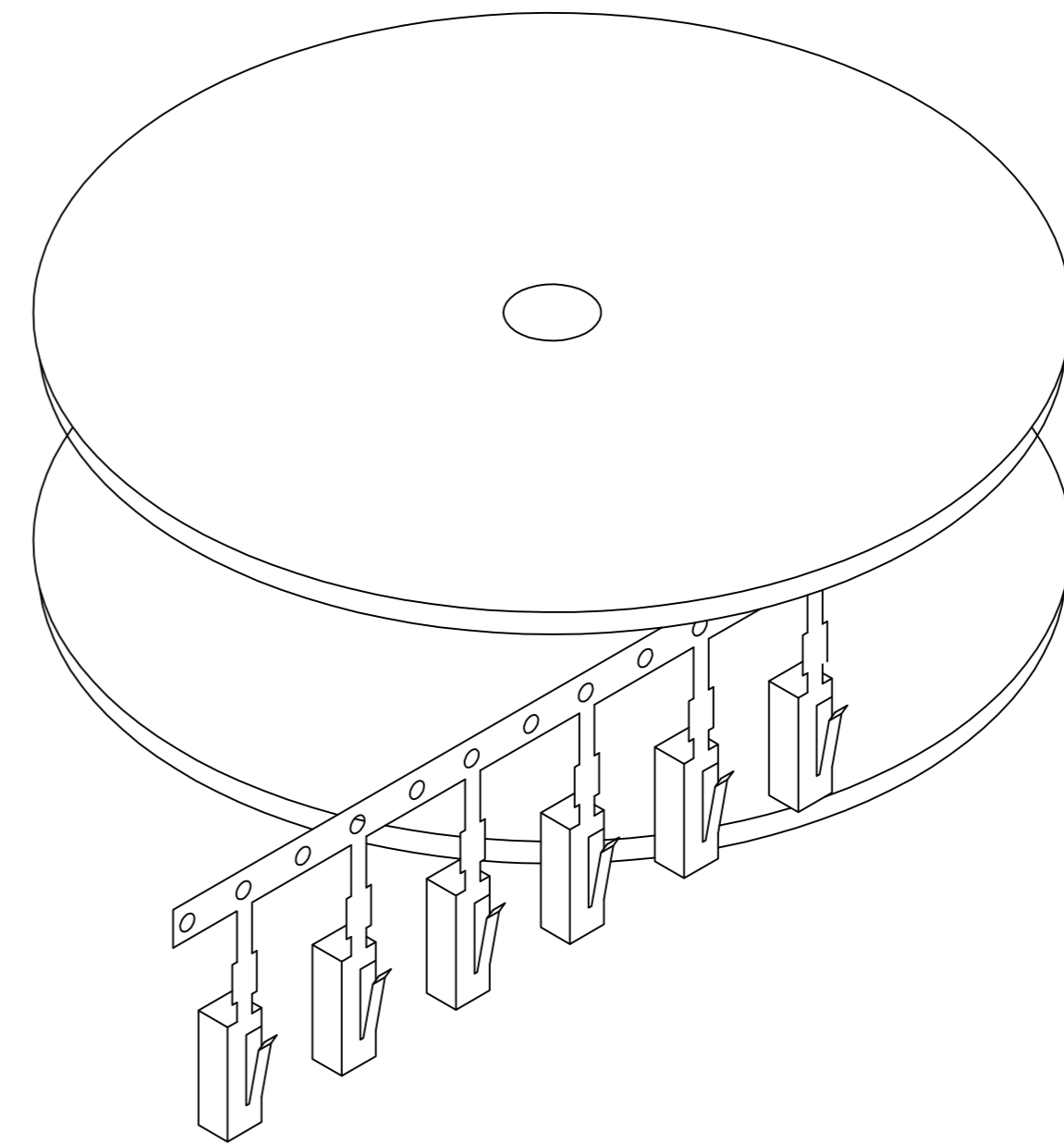
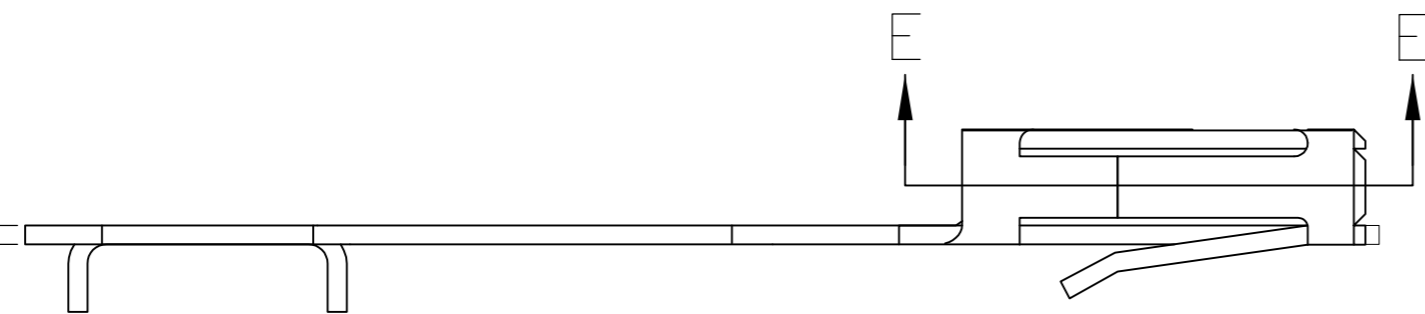
THIS DRAWING IS UNPUBLISHED. RELEASED FOR PUBLICATION
 © COPYRIGHT - By - ALL RIGHTS RESERVED.

LOC	DIST	REVISIONS					
GP	00	P	LTR	DESCRIPTION	DATE	DWN	APVD
		C		REVISED PER ECO-12-023648	07MAR2012	CJV	CWR



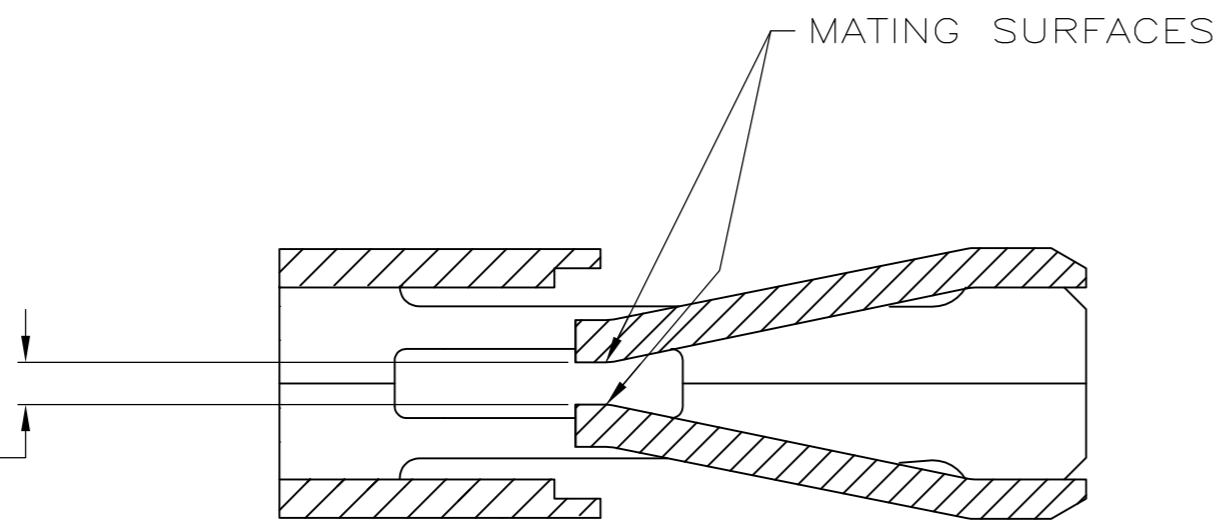
- MATING POST LENGTH ACCEPTED: 0.64[0.025] SQ
 SINGLE ROW HOUSING: 5.59-8.20[.220-.323]
 DOUBLE ROW HOUSING: 5.97-8.20[.235-.323]
- 1.27µm[.000050] MIN NICKEL UNDERPLATE OVER ENTIRE CONTACT.
- 1.27µm[.000050] MIN GOLD ON MATING SURFACES
 -OR-
 GOLD FLASH OVER PALLADIUM-NICKEL 1.27µm[.000050]
 MIN TOTAL THICKNESS ON MATING SURFACES.
- GOLD FLASH COVERAGE AREA.

0.25±0.03
 [.010±.001]



REELING
 DIAGRAM

0.30 MAX GAP
 [.012]



SECTION E-E
 SCALE 10:1

788143

788143-2
 PART
 NUMBER

THIS DRAWING IS A CONTROLLED DOCUMENT. DIMENSIONING AND TOLERANCING PER ASME Y14.5M-2009		DWN C.OBERMAN 19 JUN 97	TE Connectivity	
DIMENSIONS: mm [INCHES]		CHK R.STONE 23 JUN 97		
TOLERANCES UNLESS OTHERWISE SPECIFIED:		APVD G.MILLER 23 JUN 97	NAME	
0 PLC ± -	1 PLC ± -	PRODUCT SPEC	RECEPTACLE, CONTACT, STANDARD PRESSURE, FFC	
2 PLC ± 0.13 [.005]	3 PLC ± -	APPLICATION SPEC	SIZE	CAGE CODE
4 PLC ± -	ANGLES ± -	108-9024	A2	00779
MATERIAL PHOSPHOR BRONZE		FINISH	DRAWING NO	RESTRICTED TO
		2 3	C=788143	-
CUSTOMER DRAWING			SCALE	SHEET
			10:1	1 of 1
			REV	C