



Chipsmall Limited consists of a professional team with an average of over 10 year of expertise in the distribution of electronic components. Based in Hongkong, we have already established firm and mutual-benefit business relationships with customers from,Europe,America and south Asia,supplying obsolete and hard-to-find components to meet their specific needs.

With the principle of “Quality Parts,Customers Priority,Honest Operation,and Considerate Service”,our business mainly focus on the distribution of electronic components. Line cards we deal with include Microchip,ALPS,ROHM,Xilinx,Pulse,ON,Everlight and Freescale. Main products comprise IC,Modules,Potentiometer,IC Socket,Relay,Connector.Our parts cover such applications as commercial,industrial, and automotives areas.

We are looking forward to setting up business relationship with you and hope to provide you with the best service and solution. Let us make a better world for our industry!



## Contact us

Tel: +86-755-8981 8866 Fax: +86-755-8427 6832

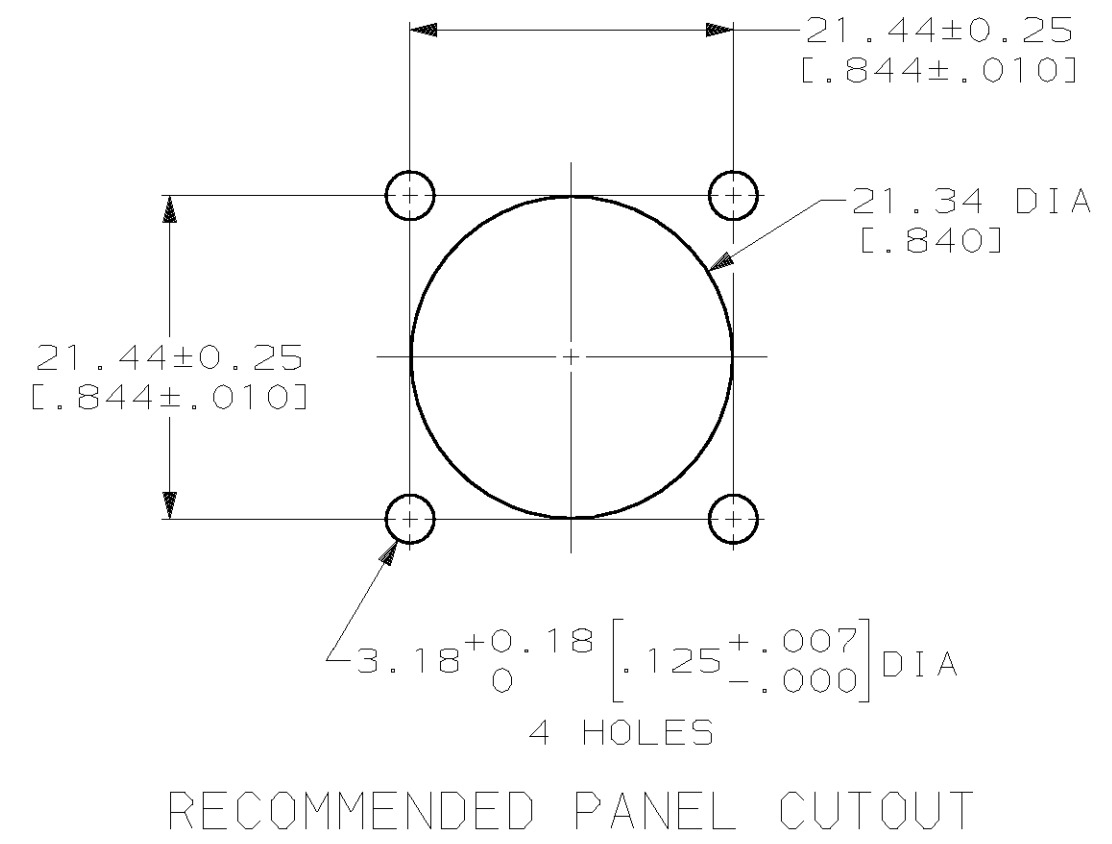
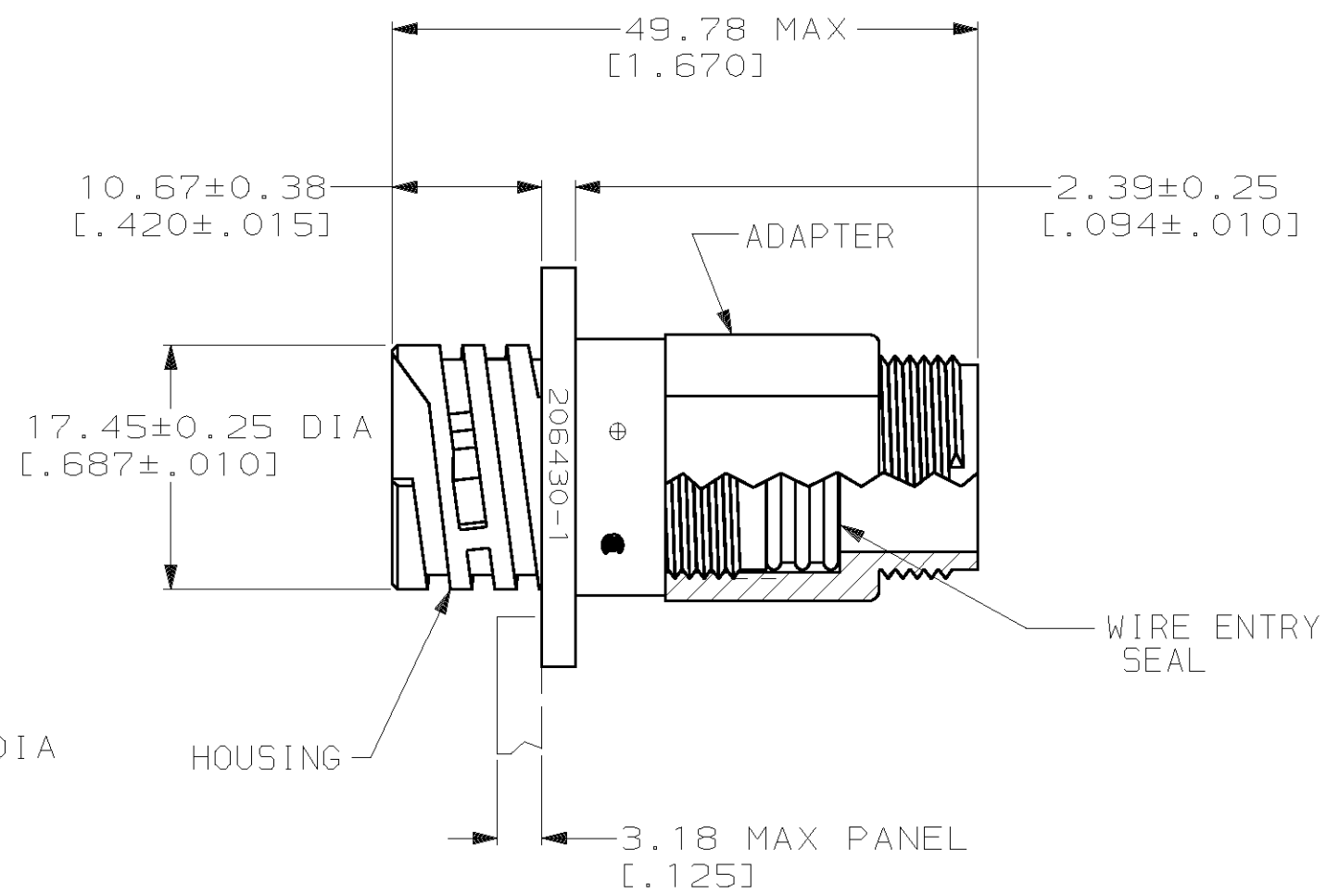
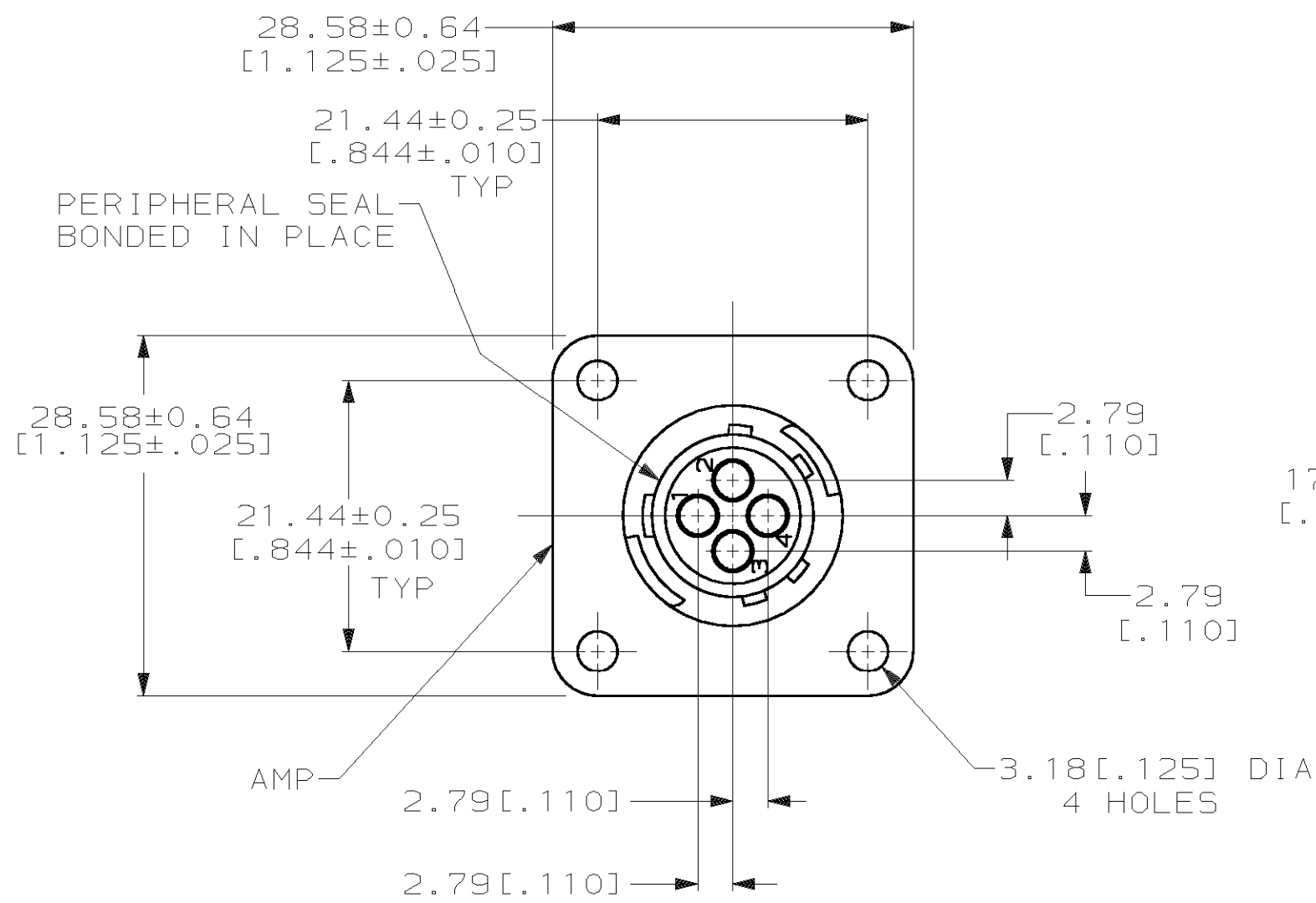
Email & Skype: info@chipsmall.com Web: www.chipsmall.com

Address: A1208, Overseas Decoration Building, #122 Zhenhua RD., Futian, Shenzhen, China



THIS DRAWING IS UNPUBLISHED. RELEASED FOR PUBLICATION, 19 .  
 © COPYRIGHT 19 BY AMP INCORPORATED. ALL RIGHTS RESERVED.

LOC	DIST	REVISIONS			
P	LTR	DESCRIPTION	DATE	DWN	APVD
FT	0				
	0	RELEASED -2 PER NPR 5730	22 OCT 99	DH	KD



- 1 HOUSING & ADAPTER: NYLON 6/6, BLACK.  
 WIRE ENTRY SEAL: ELASTOMER, RED.
- 2. THIS CONNECTOR WILL ACCEPT FOUR (4) MULTIMATE SOCKET CONTACTS.

788154-2  
 PART NUMBER

THIS DRAWING IS A CONTROLLED DOCUMENT.		DWN P. BENNINGHOVE 01 OCT 97	AMP Incorporated Harrisburg, PA 17105-3608	
		CHK K. DOWHOWER 28 OCT 99		
DIMENSIONS: mm [INCHES]		APVD K. DOWHOWER 28 OCT 99	NAME RECEPTACLE ASSEMBLY, 11-4, REVERSE SEX, SERIES I, SEALED, CPC	
TOLERANCES UNLESS OTHERWISE SPECIFIED:		PRODUCT SPEC 108-1579	SIZE CAGE CODE DRAWING NO RESTRICTED TO	
0 PLC ±- 1 PLC ±- 2 PLC ±0.13 [.005] 3 PLC ±- 4 PLC ±- ANGLES ±-		APPLICATION SPEC 114-10038	A3 00779 C- 788154	
MATERIAL		WEIGHT -	SCALE 2:1 SHEET 1 OF 1 REV 0	
		FINISH -	CUSTOMER DRAWING	