



Chipsmall Limited consists of a professional team with an average of over 10 year of expertise in the distribution of electronic components. Based in Hongkong, we have already established firm and mutual-benefit business relationships with customers from,Europe,America and south Asia,supplying obsolete and hard-to-find components to meet their specific needs.

With the principle of "Quality Parts,Customers Priority,Honest Operation,and Considerate Service",our business mainly focus on the distribution of electronic components. Line cards we deal with include Microchip,ALPS,ROHM,Xilinx,Pulse,ON,Everlight and Freescale. Main products comprise IC,Modules,Potentiometer,IC Socket,Relay,Connector.Our parts cover such applications as commercial,industrial, and automotives areas.

We are looking forward to setting up business relationship with you and hope to provide you with the best service and solution. Let us make a better world for our industry!



## Contact us

Tel: +86-755-8981 8866 Fax: +86-755-8427 6832

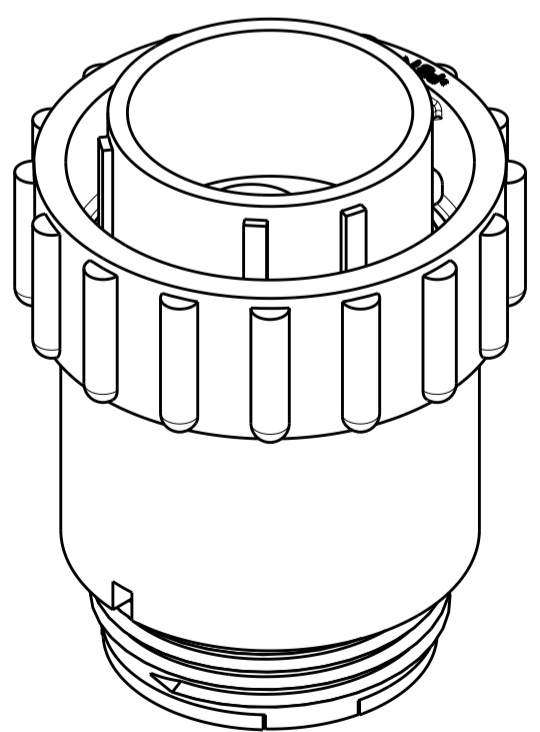
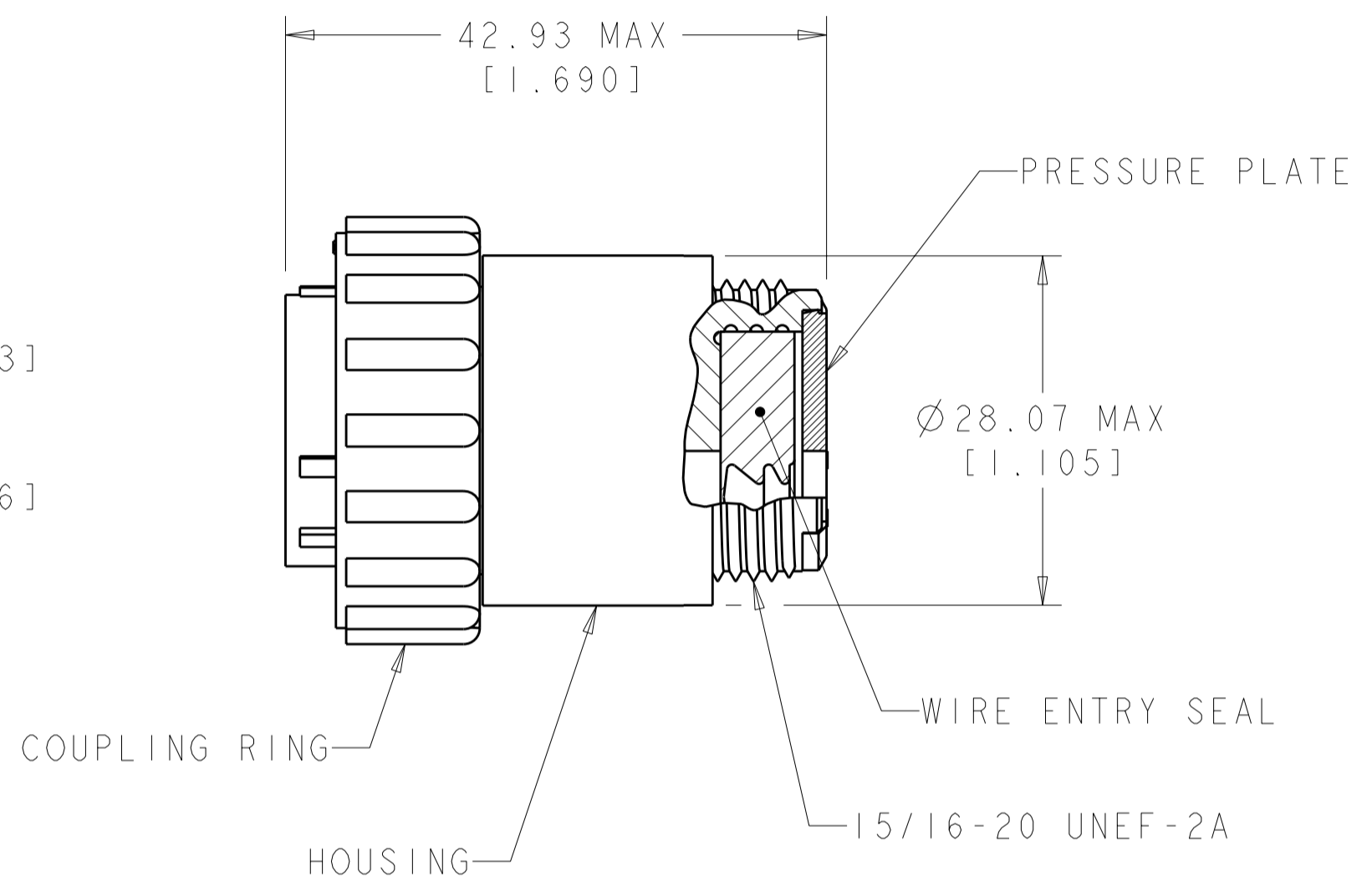
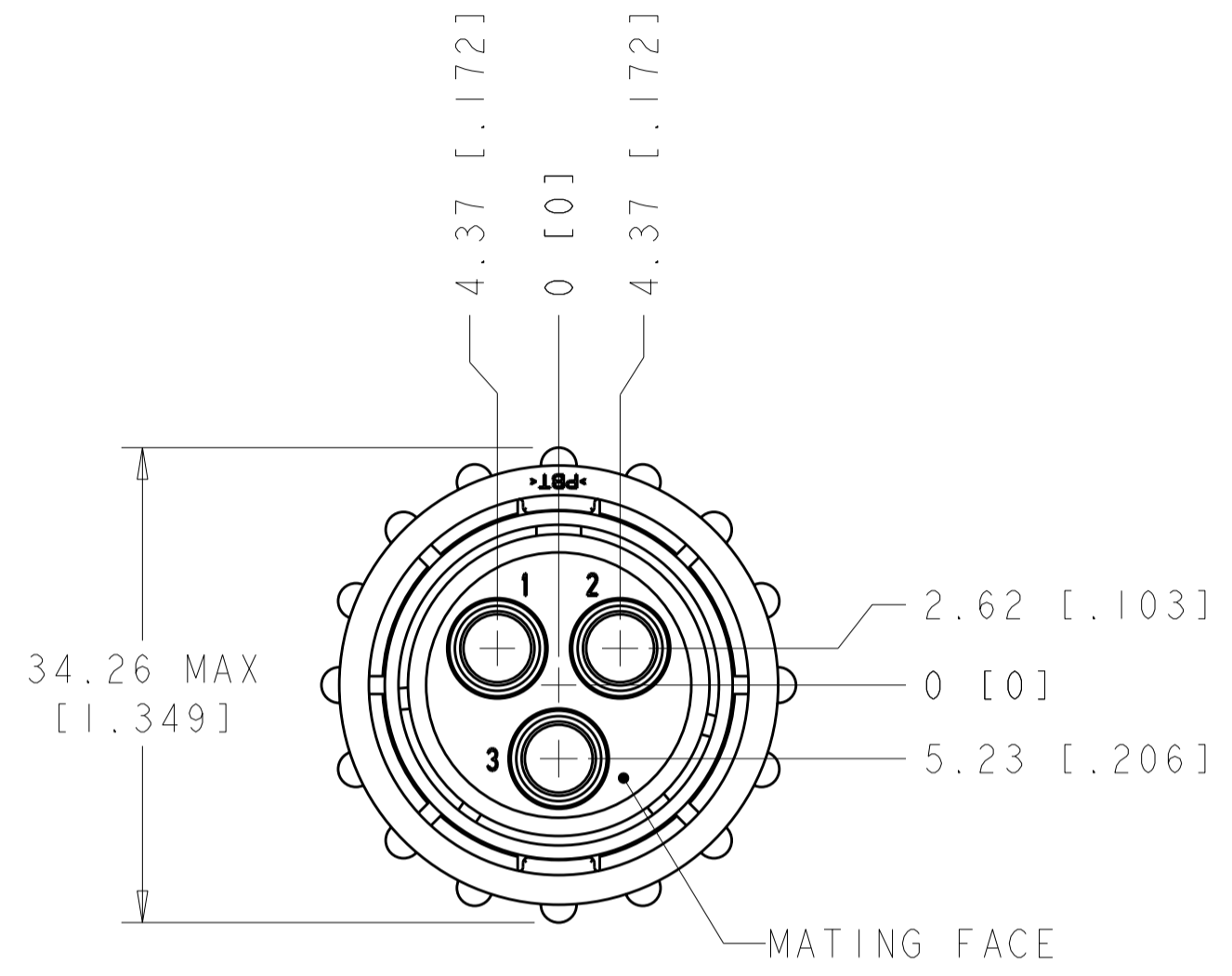
Email & Skype: info@chipsmall.com Web: www.chipsmall.com

Address: A1208, Overseas Decoration Building, #122 Zhenhua RD., Futian, Shenzhen, China



THIS DRAWING IS UNPUBLISHED. RELEASED FOR PUBLICATION  
 © COPYRIGHT 20 BY - ALL RIGHTS RESERVED.

LOC	DIST	REVISIONS			
P	LTR	DESCRIPTION	DATE	DWN	APVD
FT	0				
	C2	REVISED PER ECO-11-005140	23MAR2011	RK	HMR



- ① HOUSING & PRESSURE PLATE: NYLON, BLACK.  
WIRE ENTRY SEAL: ELASTOMER, RED-IRON OXIDE.
- ② COUPLING RING: POLYESTER, BLACK.
- ③ COUPLING RING: POLYPHENYLENE OXIDE, BLACK.
- 4. WILL ACCEPT (3) POWER MALE CONTACTS.
- ⑤ OBSOLETE PARTS: OBSOLETE CIS STREAMLINING PER D.RENAUD/D.SINISI

⑤ OBSOLETE	① ③	2.41-5.21 [.095-.205]	788188-3
	① ②	3.81-6.73 [.150-.265]	788188-2
	① ②	2.41-5.21 [.095-.205]	788188-1
	MATERIAL & FINISH	INSULATION RANGE	PART NUMBER

THIS DRAWING IS A CONTROLLED DOCUMENT.		DWN S.WELDON 08FEB2000	<b>STE</b> TE Connectivity	
DIMENSIONS: mm [INCHES]		CHK K.DOWHOWER 08FEB2000		
TOLERANCES UNLESS OTHERWISE SPECIFIED:		APVD K.DOWHOWER 08FEB2000	NAME PLUG ASSEMBLY, SERIES 5, REVERSE SEX, SIZE 17-3, CIRCULAR PLASTIC CONNECTOR	
0 PLC ±	1 PLC ±	PRODUCT SPEC 108-1579	SIZE A2	CAGE CODE 00779
2 PLC ±0.02	3 PLC ±	APPLICATION SPEC -	DRAWING NO C-788188	RESTRICTED TO -
4 PLC ±	ANGLES ±	WEIGHT -	SCALE 2:1	SHEET 1 OF 1
MATERIAL ①	FINISH	CUSTOMER DRAWING	REV C2	