



Chipsmall Limited consists of a professional team with an average of over 10 year of expertise in the distribution of electronic components. Based in Hongkong, we have already established firm and mutual-benefit business relationships with customers from,Europe,America and south Asia,supplying obsolete and hard-to-find components to meet their specific needs.

With the principle of “Quality Parts,Customers Priority,Honest Operation,and Considerate Service”,our business mainly focus on the distribution of electronic components. Line cards we deal with include Microchip,ALPS,ROHM,Xilinx,Pulse,ON,Everlight and Freescale. Main products comprise IC,Modules,Potentiometer,IC Socket,Relay,Connector.Our parts cover such applications as commercial,industrial, and automotives areas.

We are looking forward to setting up business relationship with you and hope to provide you with the best service and solution. Let us make a better world for our industry!



Contact us

Tel: +86-755-8981 8866 Fax: +86-755-8427 6832

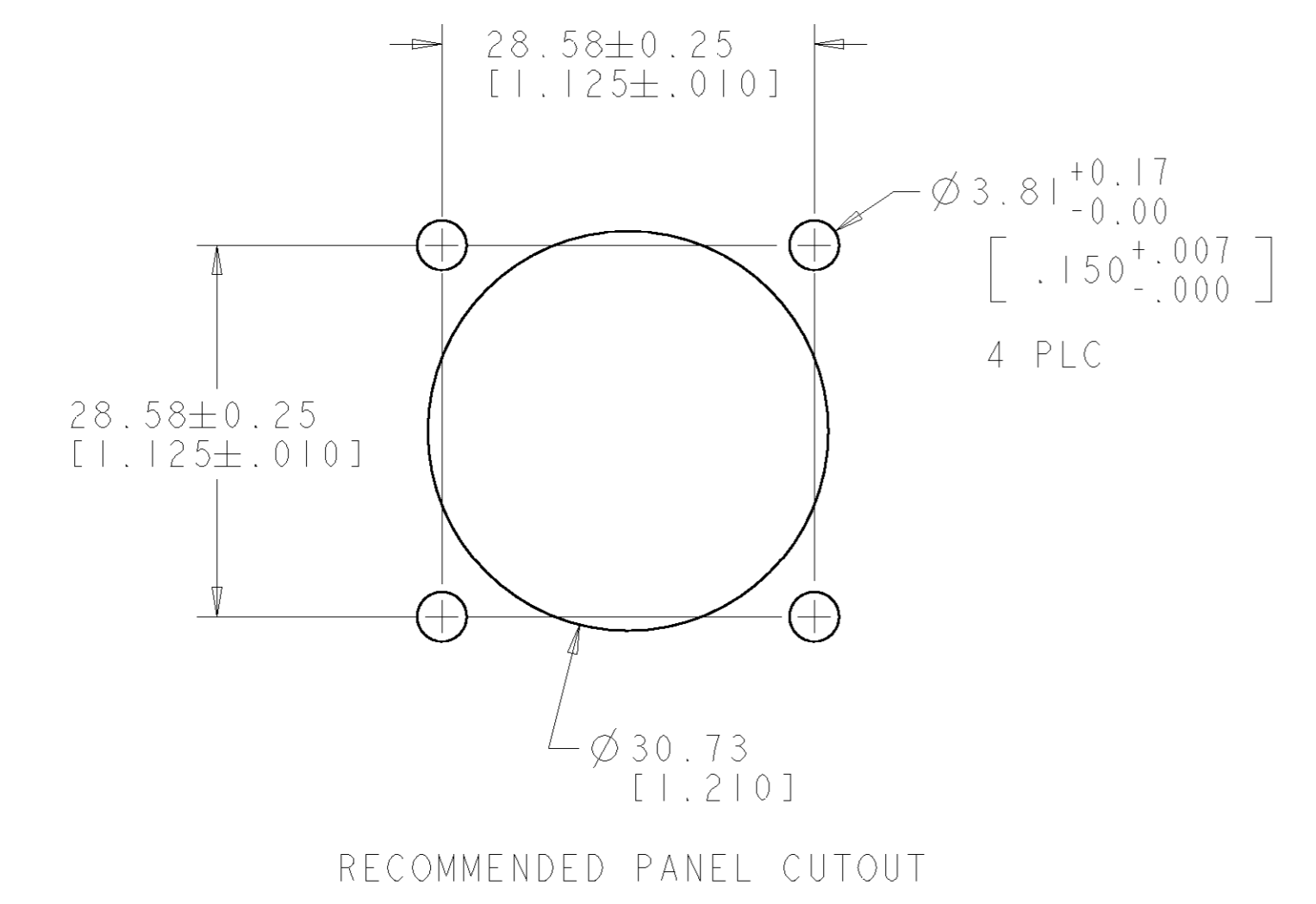
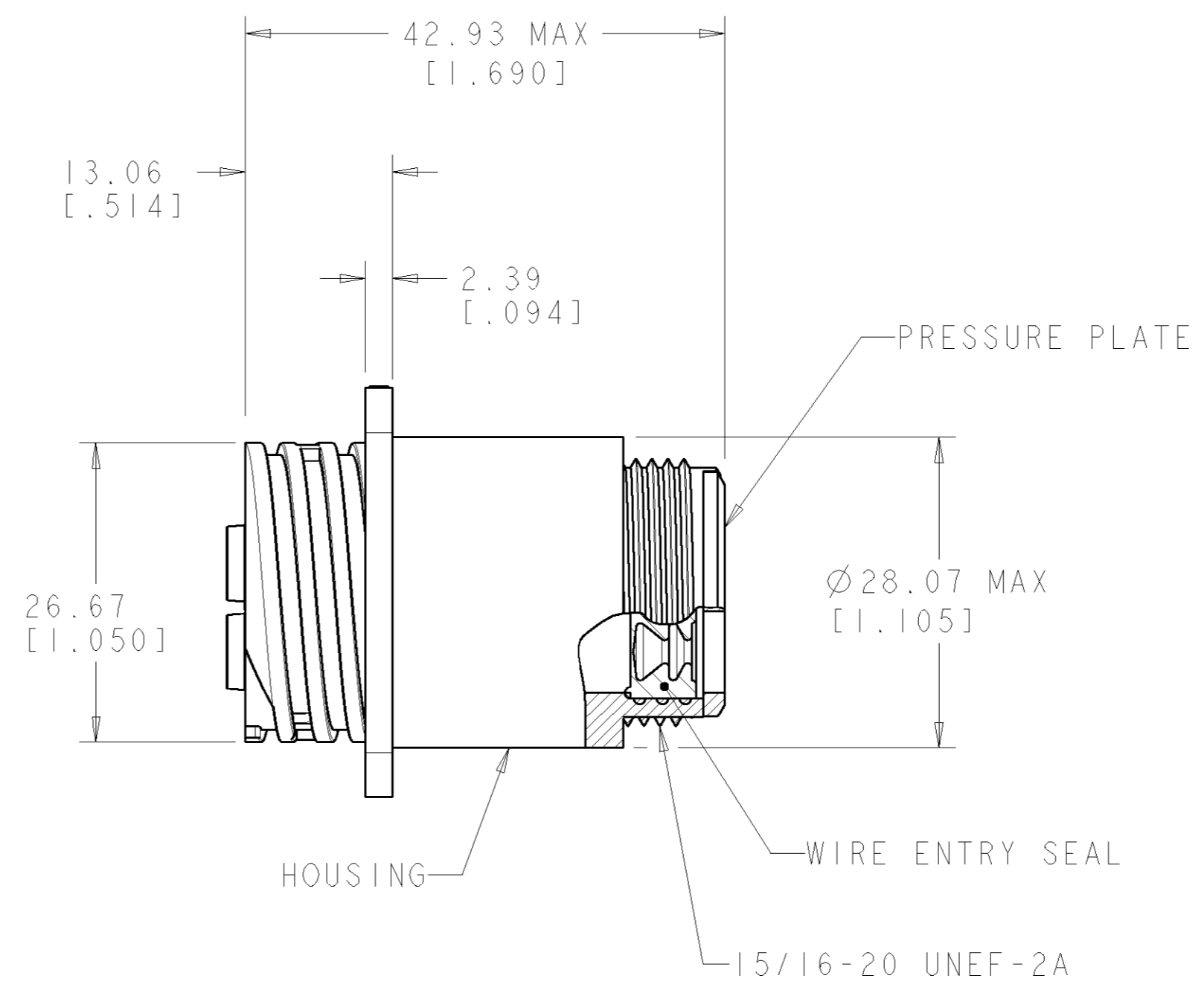
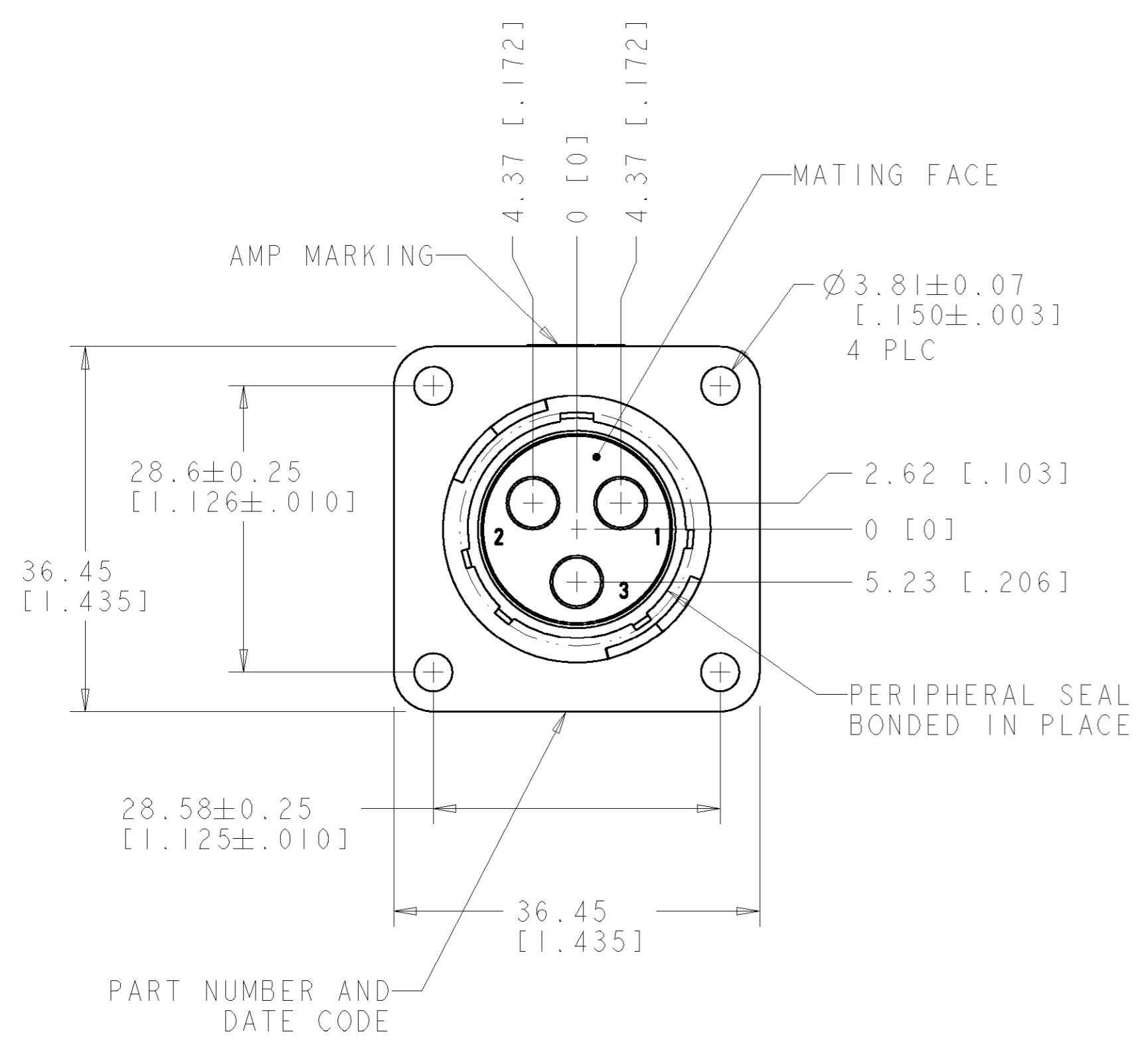
Email & Skype: info@chipsmall.com Web: www.chipsmall.com

Address: A1208, Overseas Decoration Building, #122 Zhenhua RD., Futian, Shenzhen, China



THIS DRAWING IS UNPUBLISHED. RELEASED FOR PUBLICATION
 © COPYRIGHT BY ALL RIGHTS RESERVED.

LOC	DIST	REVISIONS			
P	LTR	DESCRIPTION	DATE	DWN	APVD
FT	0	B1 REVISED PER ECO-11-005294	30APR11	RK	HMR



⚠ HOUSING & PRESSURE PLATE: NYLON, BLACK.
 WIRE ENTRY SEAL: ELASTOMER, RED-IRON OXIDE.
 PERIPHERAL SEAL: POLYESTER, BLACK.
 2. CONNECTOR WILL ACCEPT (3) POWER SOCKET CONTACTS.

3.81-6.73 [.150-.265]	788189-2
2.41-5.21 [.095-.205]	788189-1
INSULATION RANGE	PART NUMBER

DIMENSIONS: mm [INCHES]	TOLERANCES UNLESS OTHERWISE SPECIFIED: 0 PLC ± 1 PLC ± 2 PLC ±0.02 3 PLC ± 4 PLC ± ANGLES ± FINISH -	DWN S. WELDON 07FEB2000	TE Connectivity
		CHK K. DOWHOWER 07FEB2000	
	MATERIAL -	APVD K. DOWHOWER 07FEB2000	NAME RECEPTACLE ASSY, SERIES 5, REVERSE SEX, SIZE 17-3, CIRCULAR PLASTIC CONNECTOR
		PRODUCT SPEC 108-1579	SIZE A2
CUSTOMER DRAWING		WEIGHT -	CAGE CODE 00779
		SCALE 2:1	DRAWING NO. 788189
		SHEET 1 OF 1	RESTRICTED TO -
		REV B1	