



Chipsmall Limited consists of a professional team with an average of over 10 year of expertise in the distribution of electronic components. Based in Hongkong, we have already established firm and mutual-benefit business relationships with customers from,Europe,America and south Asia,supplying obsolete and hard-to-find components to meet their specific needs.

With the principle of “Quality Parts,Customers Priority,Honest Operation,and Considerate Service”,our business mainly focus on the distribution of electronic components. Line cards we deal with include Microchip,ALPS,ROHM,Xilinx,Pulse,ON,Everlight and Freescale. Main products comprise IC,Modules,Potentiometer,IC Socket,Relay,Connector.Our parts cover such applications as commercial,industrial, and automotives areas.

We are looking forward to setting up business relationship with you and hope to provide you with the best service and solution. Let us make a better world for our industry!



Contact us

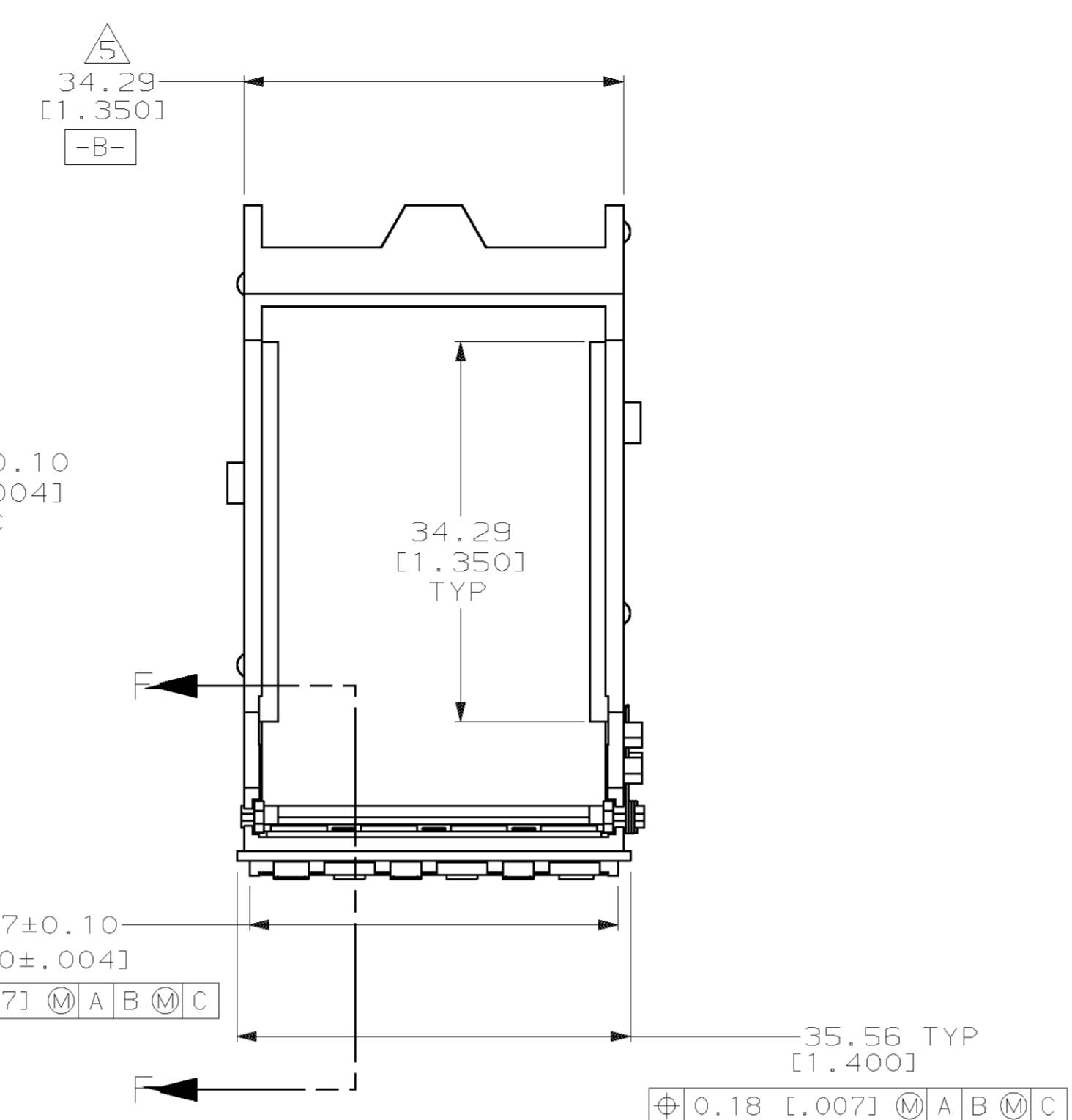
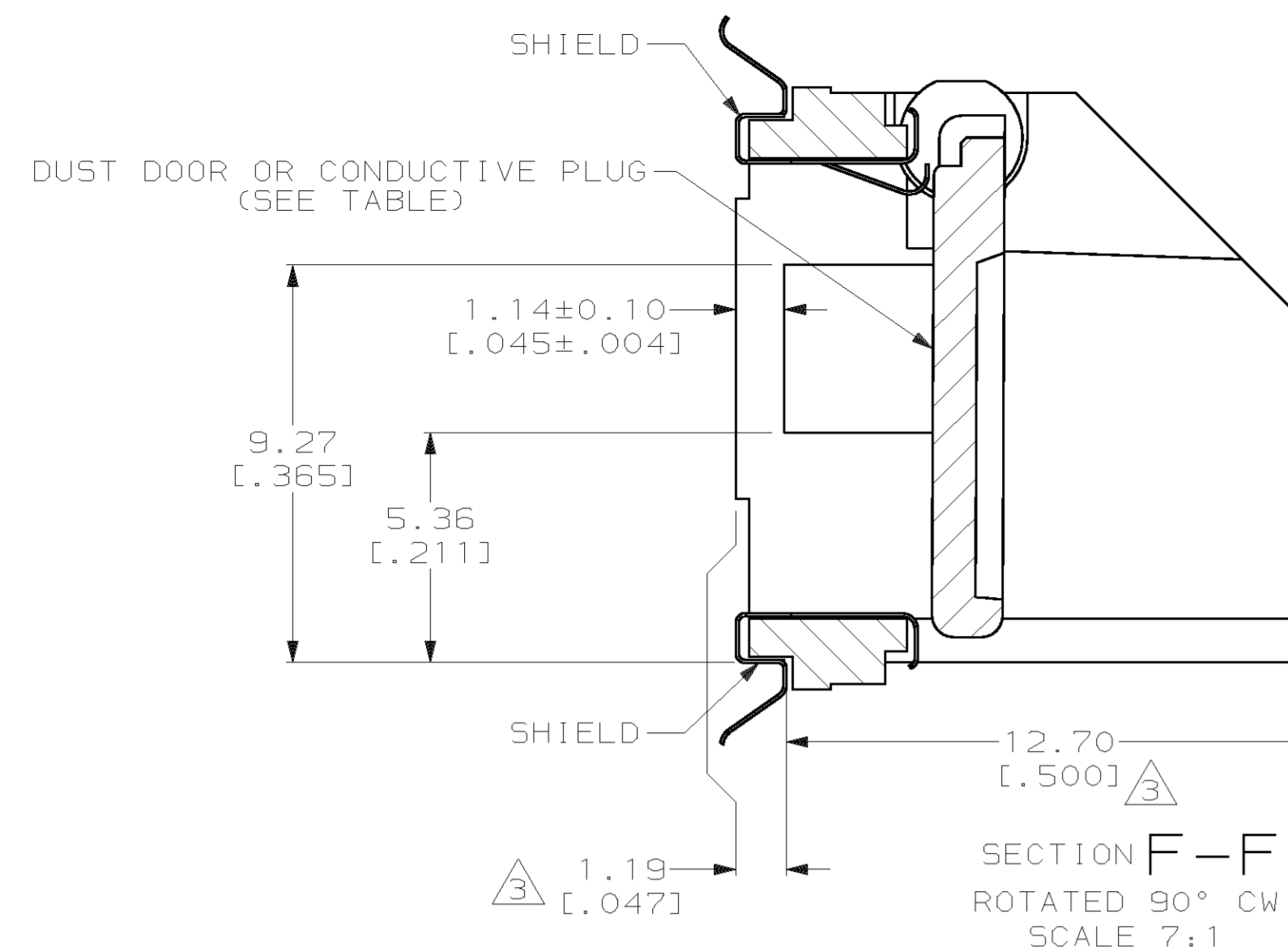
Tel: +86-755-8981 8866 Fax: +86-755-8427 6832

Email & Skype: info@chipsmall.com Web: www.chipsmall.com

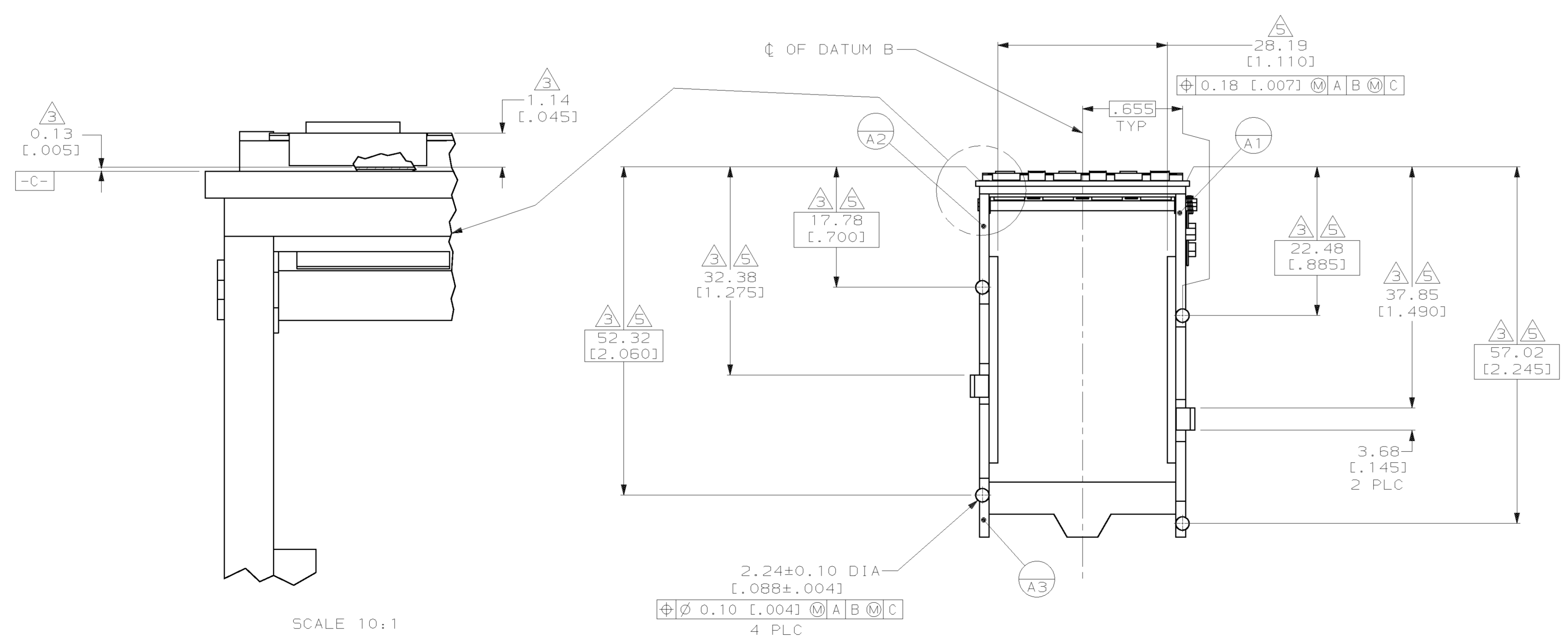
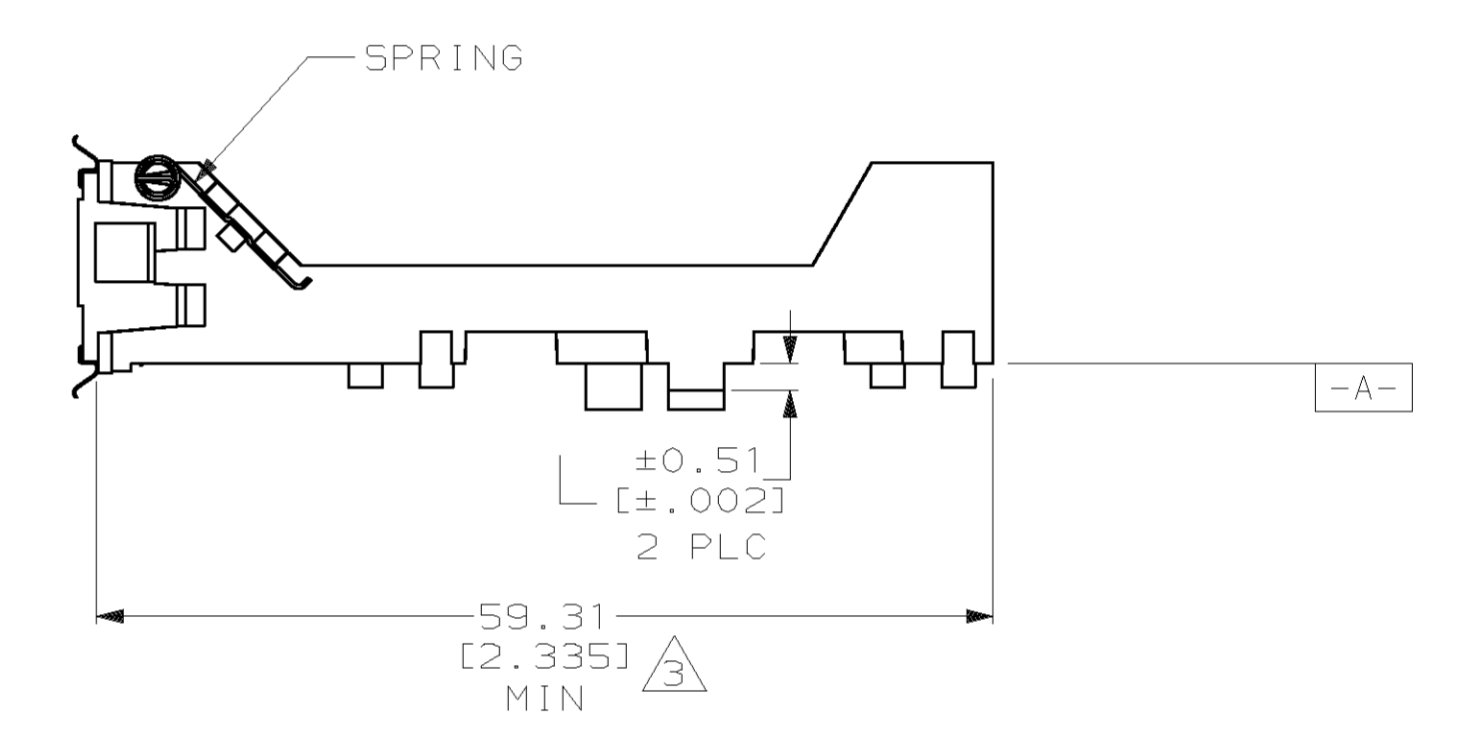
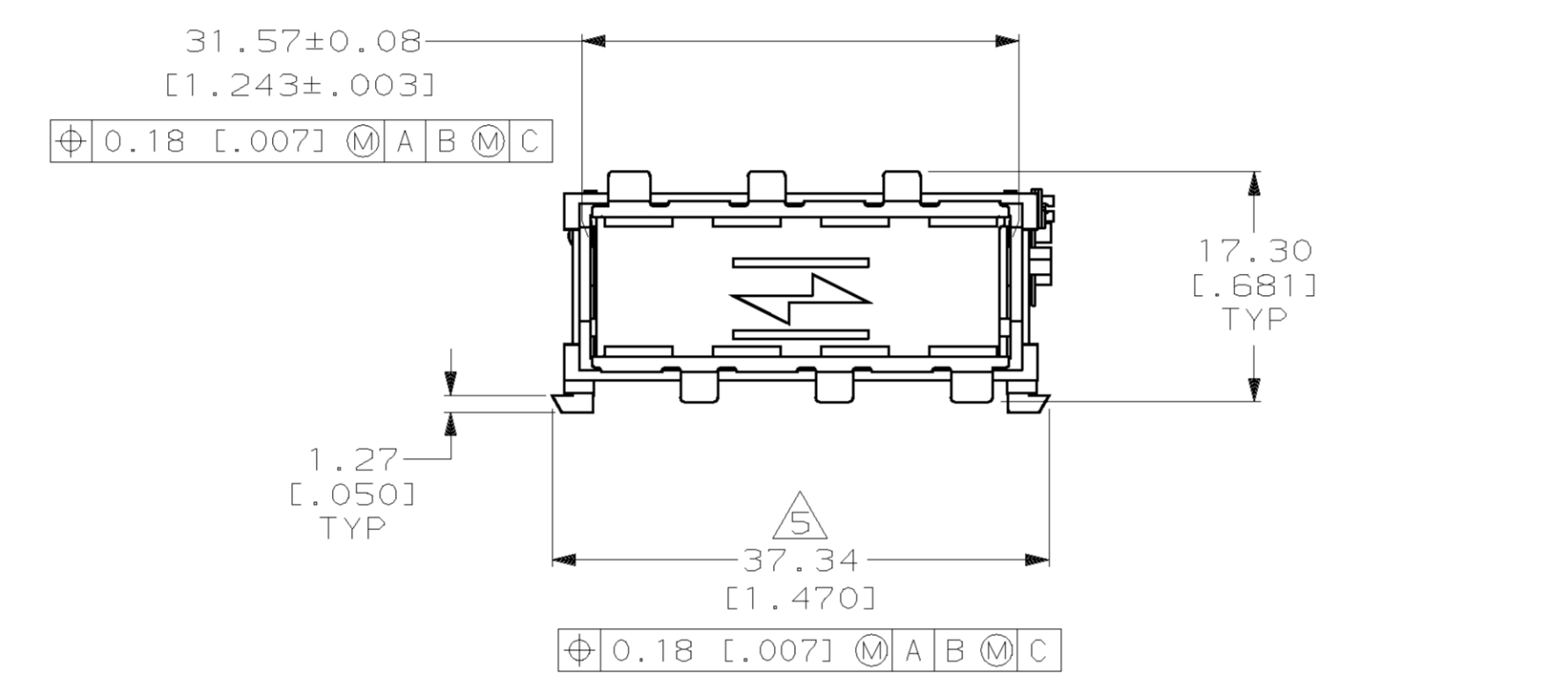
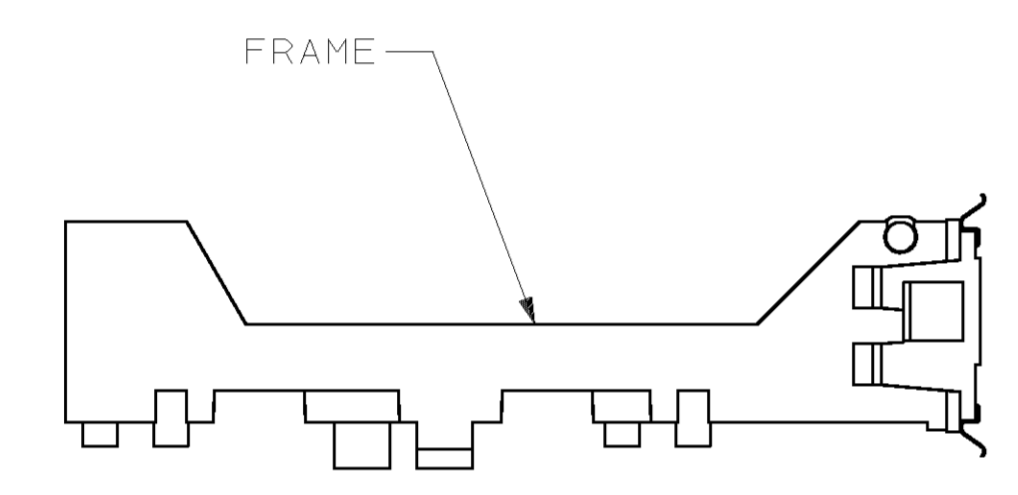
Address: A1208, Overseas Decoration Building, #122 Zhenhua RD., Futian, Shenzhen, China



LOC		DIST		REVISIONS			
GP	00	TR	LYR	DESCRIPTION	DATE	OWN	APPR
L				REVISED PER EC 0513-0435-03	16APR04	JG	JG



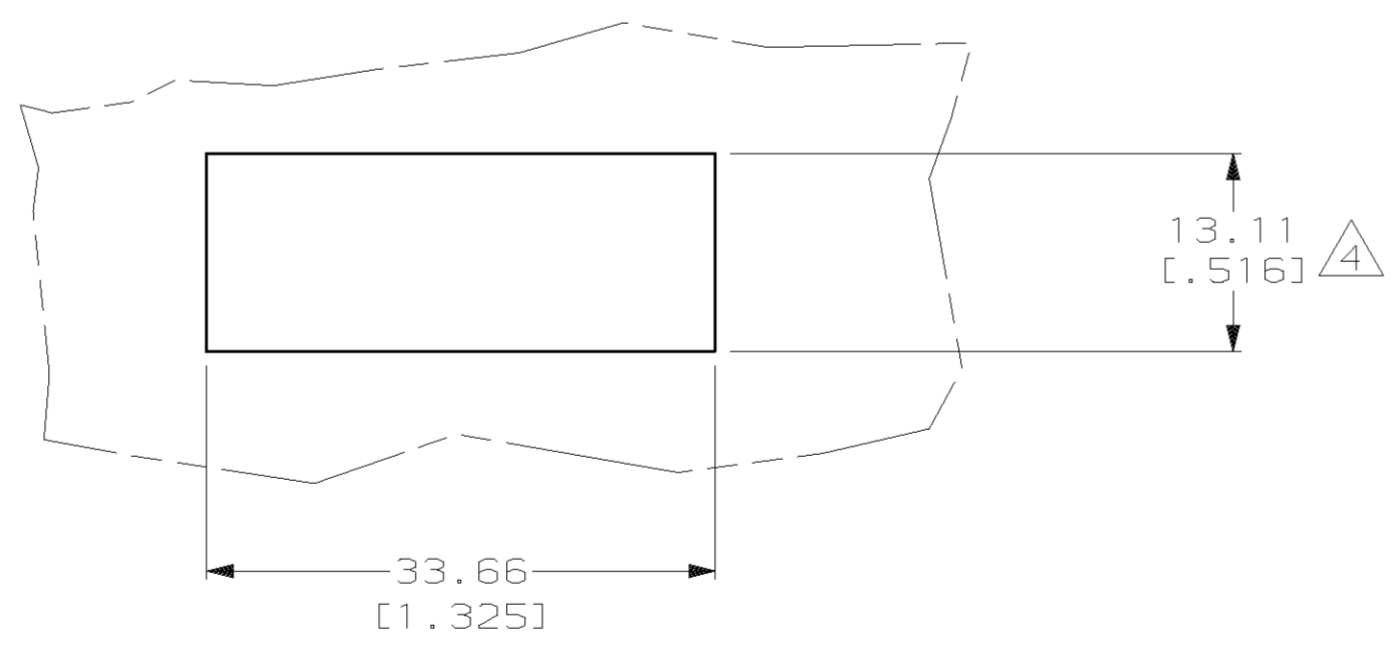
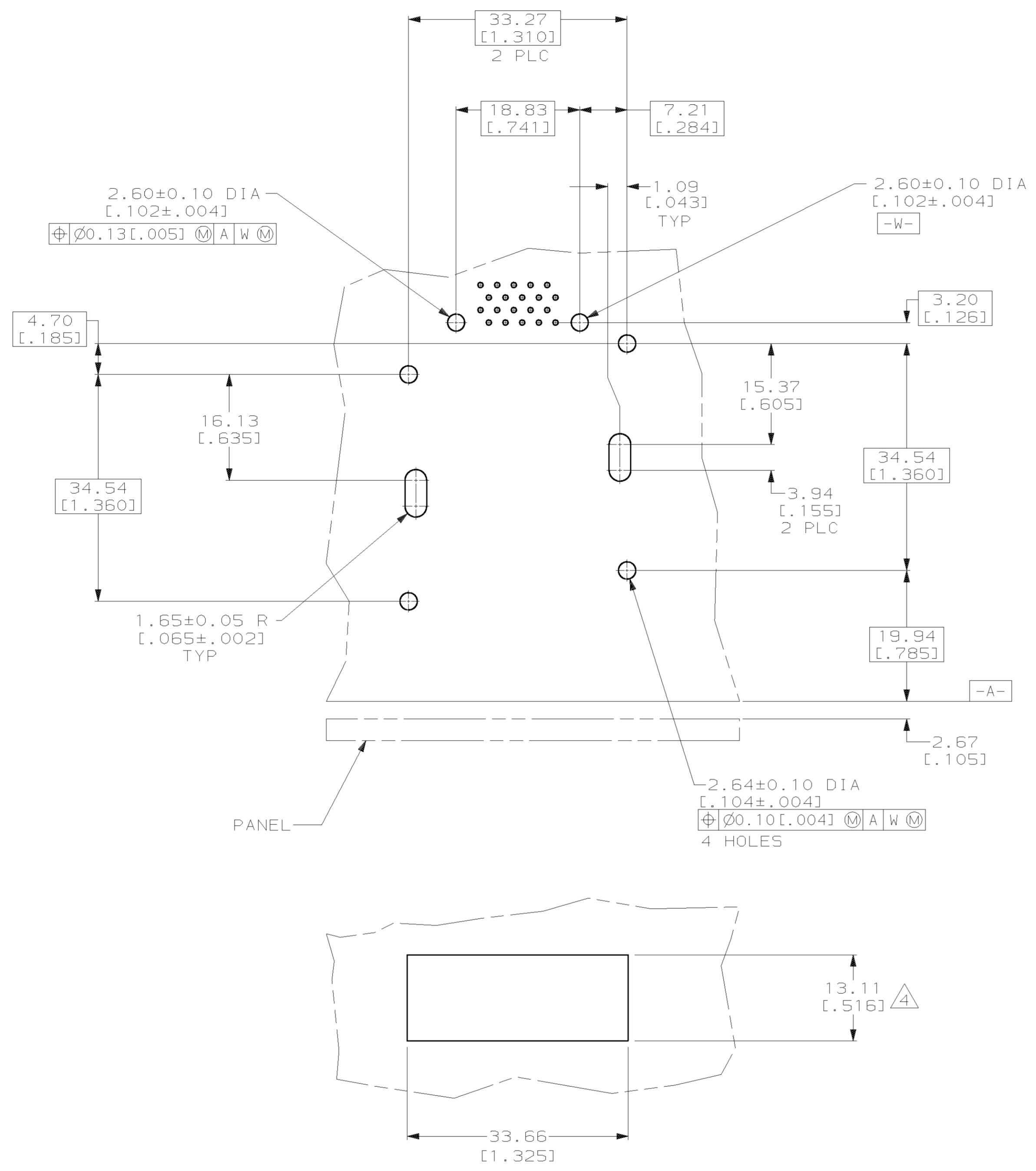
- ⚠ DUST DOOR: ZINC ALLOY (-3,-4,-4), HTN POLYMER (-6,-7,-8).
- CONDUCTIVE PLUG: ABS (1-2,1-3,1-4).
- SPRING: STAINLESS STEEL.
- SHIELD: PHOSPHOR BRONZE.
- ⚠ METAL DUST DOOR: 2.54µm [0.00100] MIN NICKEL OVER 5.08µm [0.00200] MIN COPPER.
- SHIELD: 1.27µm [0.00050] MIN NICKEL.
- ⚠ DIMENSION APPLIES TO FRONT OF SHIELD.
- ⚠ LOWER EDGE OF PANEL OPENING IS 0.15 [.006] BELOW TOP OF PCB FOR HORIZONTAL APPLICATION.
- ⚠ DIMENSION APPLIES WHEN ASSEMBLED TO PRINTED CIRCUIT BOARD.



OBSOLETE	CONDUCTIVE PLUG	2.26 [.089]	1-788370-4
OBSOLETE	CONDUCTIVE PLUG	2.77 [.109]	1-788370-3
OBSOLETE	CONDUCTIVE PLUG	1.80 [.071]	1-788370-2
OBSOLETE	NO DOOR OR PLUG	2.26 [.089]	1-788370-1
OBSOLETE	NO DOOR OR PLUG	2.77 [.109]	1-788370-0
OBSOLETE	NO DOOR OR PLUG	1.80 [.071]	788370-9
OBSOLETE	PLASTIC DOOR	2.26 [.089]	788370-8
OBSOLETE	PLASTIC DOOR	2.77 [.109]	788370-7
OBSOLETE	PLASTIC DOOR	1.80 [.071]	788370-6
	METAL DOOR	2.26 [.089]	788370-5
	METAL DOOR	2.77 [.109]	788370-4
	METAL DOOR	1.80 [.071]	788370-3
	DUST DOOR OR CONDUCTIVE PLUG	L	PART NUMBER

THIS DRAWING IS A CONTROLLED DOCUMENT.

DWG: C. OBERMAN 11 JUN 98	AMP Incorporated Harrisburg, PA 17105-3608
CHK: D. STONE 25 JUN 98	
APP'D: S. LINDSTROM 25 JUN 98	
PRODUCT SPEC: -	
APPLICATION SPEC: -	
SIZE: A1	SCALE CODE: 2:1
DRAWING NO: 00779	DRAWING NO: 788370
WEIGHT: -	
CUSTOMER DRAWING	SCALE: 2:1 SHEET 1 OF 2 REV L



RECOMMENDED HOST CARD FOOTPRINT/PANEL CUTOUT

THIS DRAWING IS A CONTROLLED DOCUMENT.		DWN C. OBERMAN 11 JUN 98	AMP Incorporated Harrisburg, PA 17105-3608
DIMENSIONS: mm (INCHES)		CHK D. STONE 25 JUN 98	AMP S. LINDSTROM 25 JUN 98
TOLERANCES UNLESS OTHERWISE SPECIFIED:		NAME	PRODUCT SPEC
0 PLC ±-		APPLICATION SPEC	RESTRICTED TO
1 PLC ±-		SIZE	SCALE CODE
2 PLC ±0.13 (.005)		WEIGHT	DRAWING NO
3 PLC ±-		CUSTOMER DRAWING	788370
4 PLC ±-		SCALE	2:1
ANGLES ±-		SHEET	2 OF 2
FINISH		REV	L