



Chipsmall Limited consists of a professional team with an average of over 10 year of expertise in the distribution of electronic components. Based in Hongkong, we have already established firm and mutual-benefit business relationships with customers from,Europe,America and south Asia,supplying obsolete and hard-to-find components to meet their specific needs.

With the principle of “Quality Parts,Customers Priority,Honest Operation,and Considerate Service”,our business mainly focus on the distribution of electronic components. Line cards we deal with include Microchip,ALPS,ROHM,Xilinx,Pulse,ON,Everlight and Freescale. Main products comprise IC,Modules,Potentiometer,IC Socket,Relay,Connector.Our parts cover such applications as commercial,industrial, and automotives areas.

We are looking forward to setting up business relationship with you and hope to provide you with the best service and solution. Let us make a better world for our industry!



Contact us

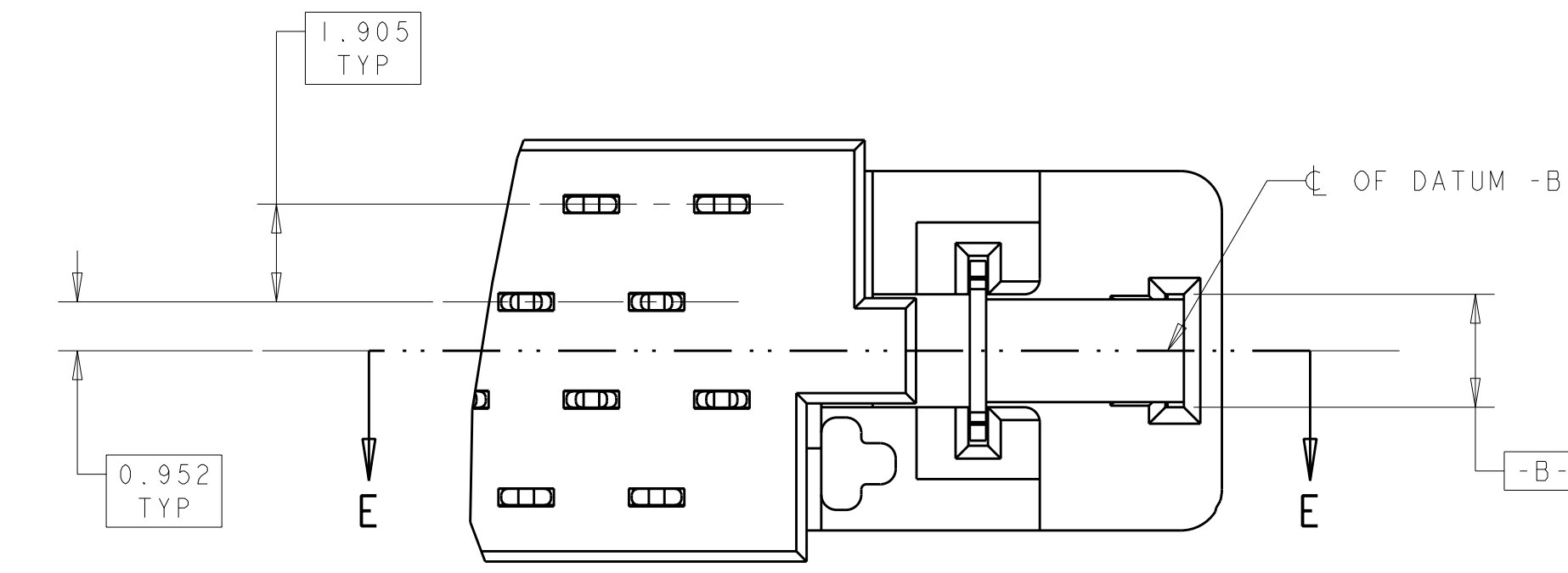
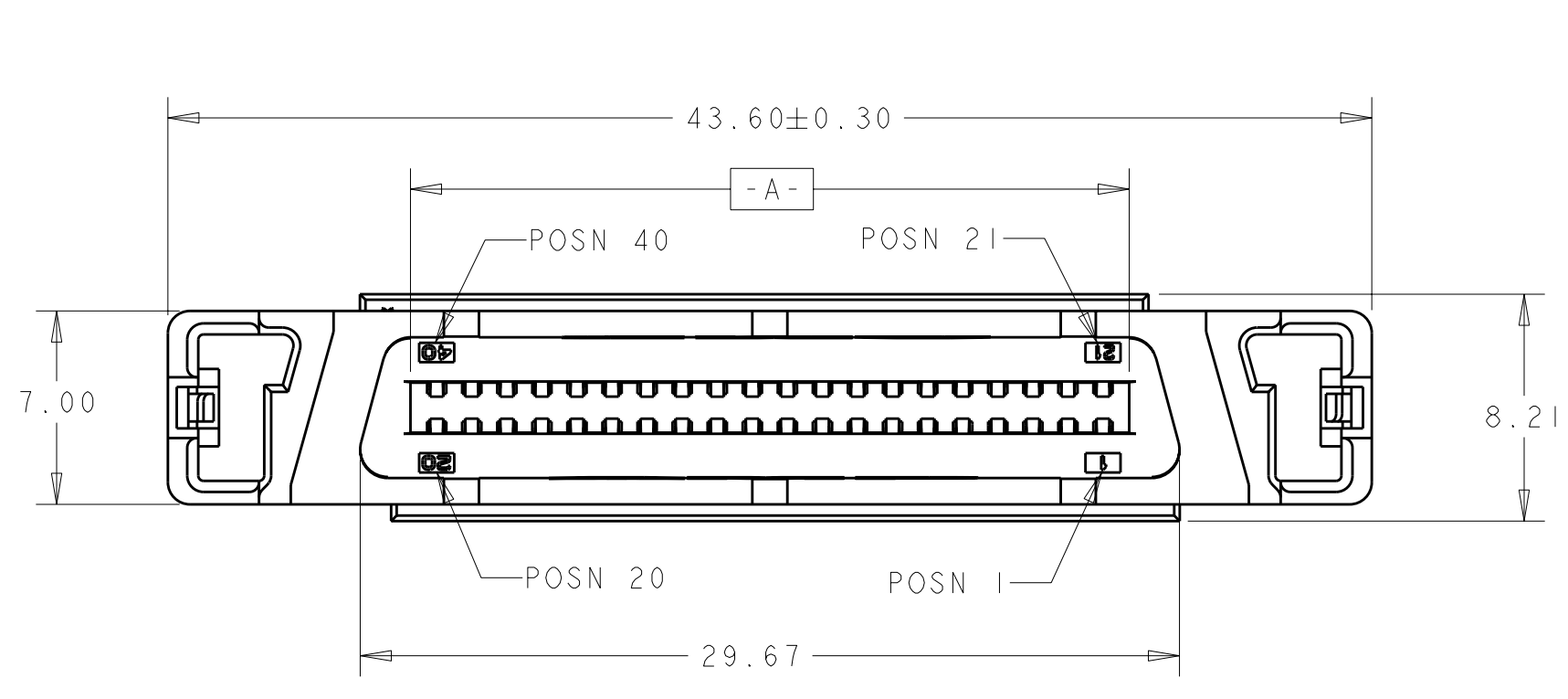
Tel: +86-755-8981 8866 Fax: +86-755-8427 6832

Email & Skype: info@chipsmall.com Web: www.chipsmall.com

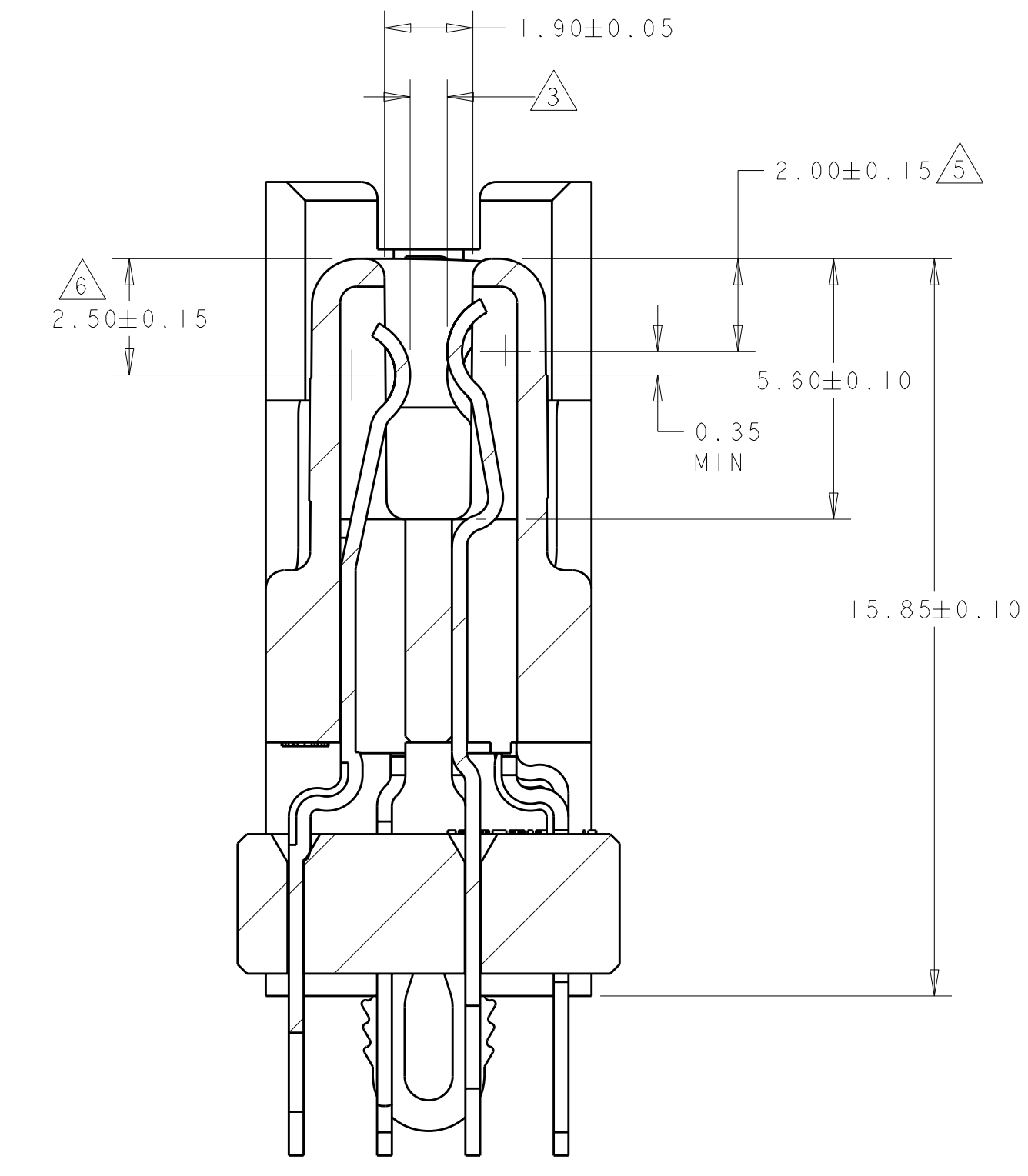
Address: A1208, Overseas Decoration Building, #122 Zhenhua RD., Futian, Shenzhen, China



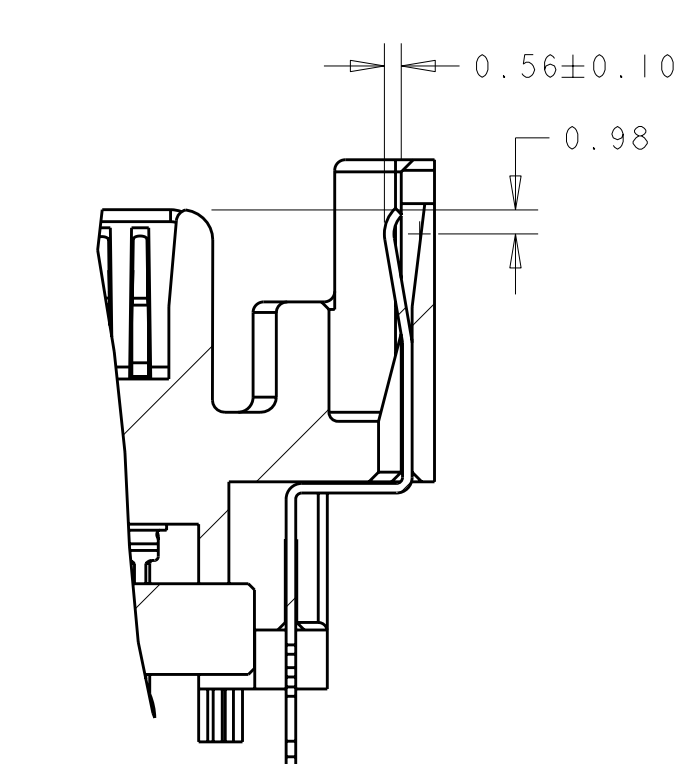
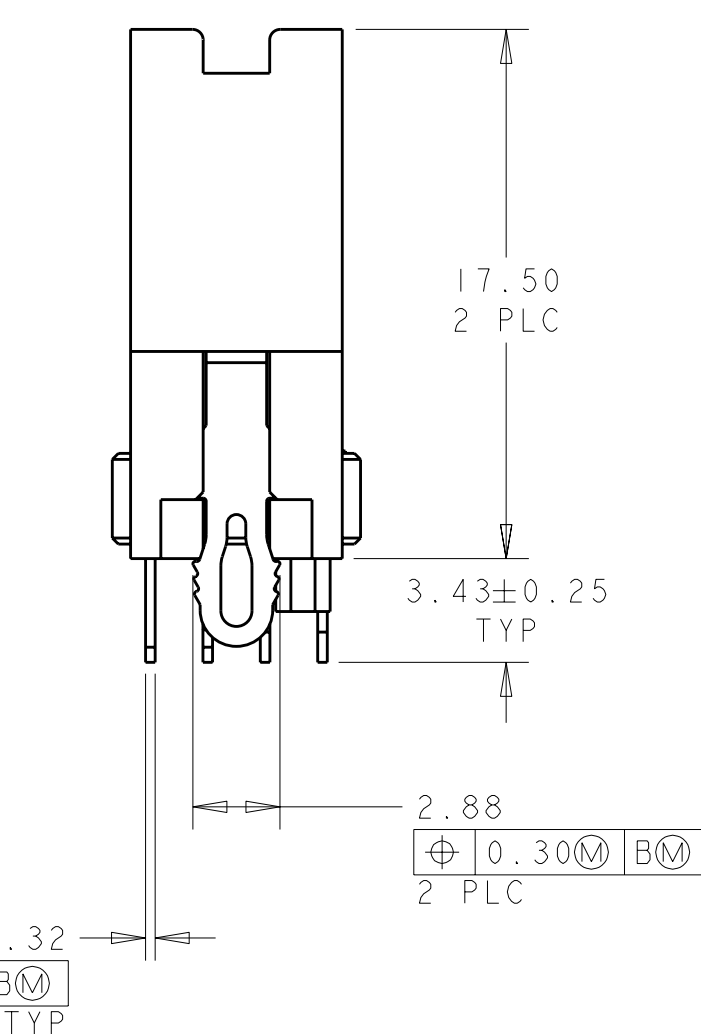
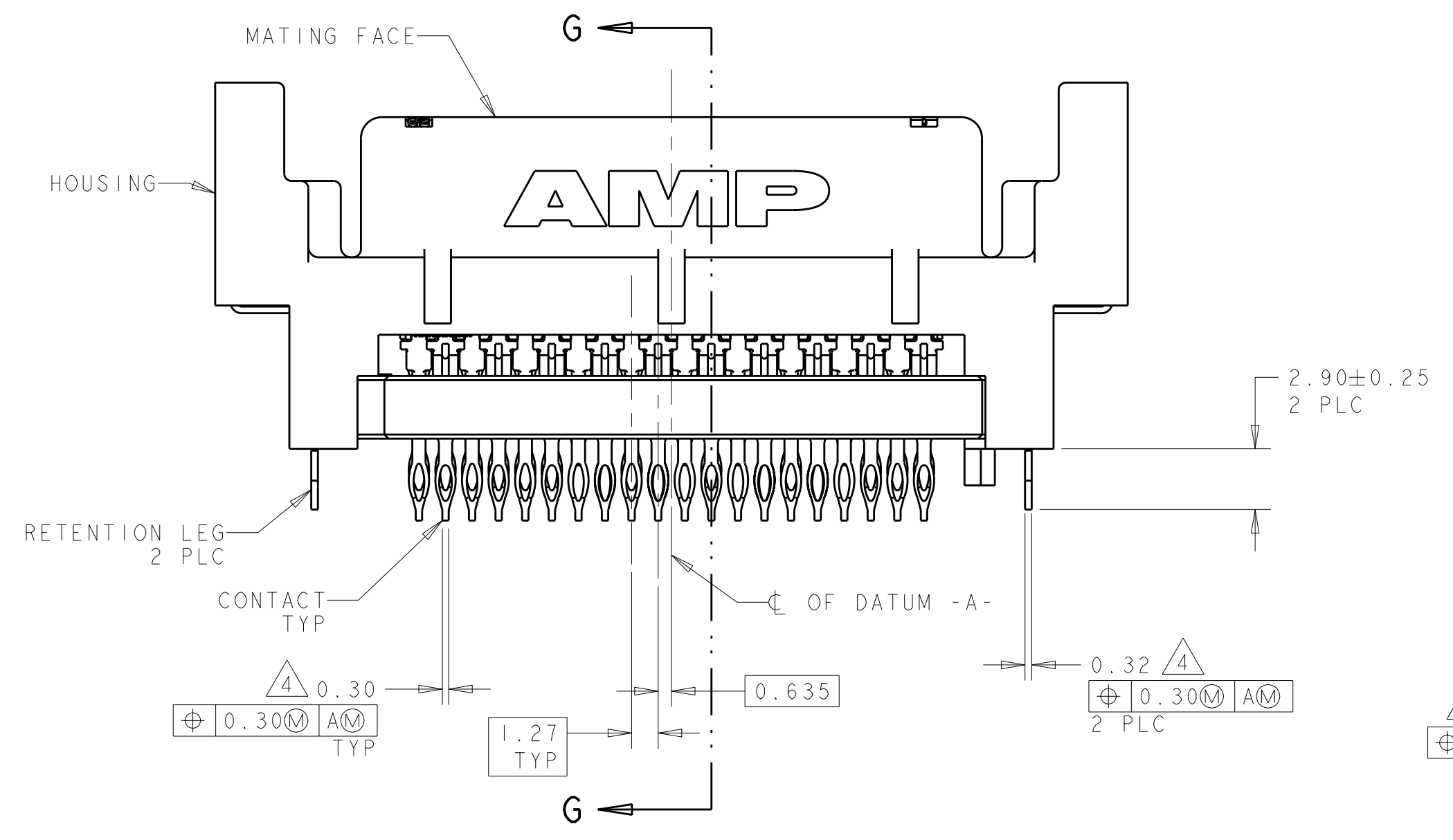
LOC	DIST	REVISIONS			
GP	00	REV	DATE	BY	APPD
		D2	REVISED ECR-10-020893	110CT10	AZ M.W.



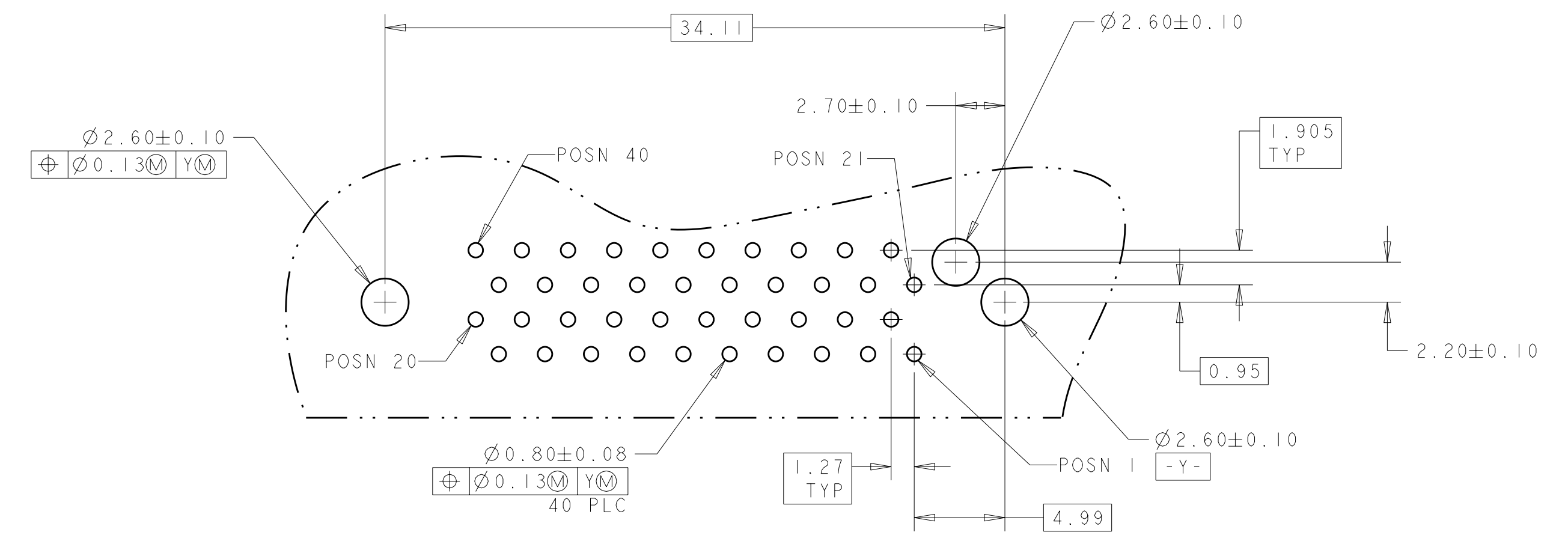
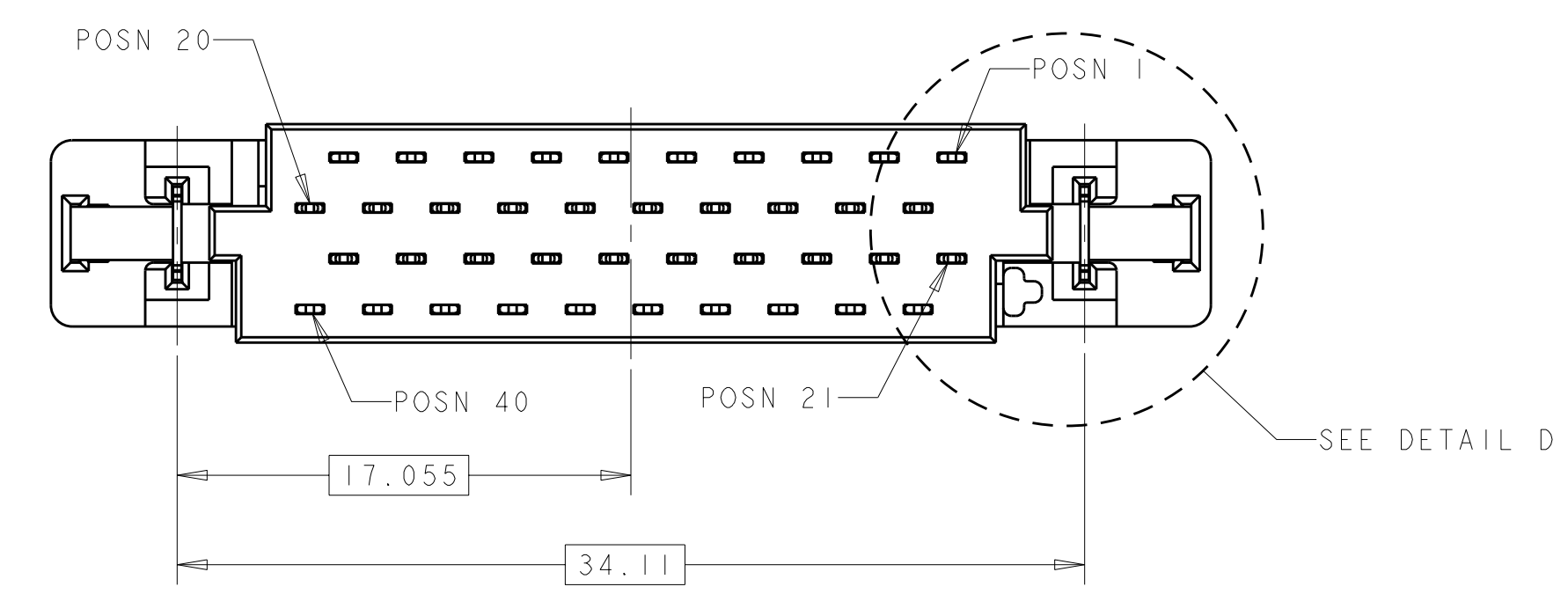
DETAIL D
SCALE 8:1



SECTION G-G
SCALE 8:1



SECTION E-E



RECOMMENDED PC BOARD MOUNTING DIMENSIONS
COMPONENT SIDE
SCALE 4:1

- 1 HOUSING: LCP, UL 94V-0 RATED, BLACK
CONTACTS: PHOSPHOR BRONZE.
RETENTION LEG: BRASS.
- 2 CONTACTS: 0.76µm GOLD FOR A LENGTH OF 1.90 MIN STARTING 0.40 MAX FROM MATING END. 1.27µm-3.81µm TIN-LEAD FOR A LENGTH OF 3.43 MIN FROM OPPOSITE END. BOTH OVER 1.27µm MIN NICKEL.
- 3 CONNECTOR WILL ACCOMMODATE MATING PRINTED CIRCUIT BOARD OF 1.60±0.07 THICKNESS.
- 4 POSITION TOLERANCE APPLIES AT CONTACT TIP ONLY.
- 5 DIMENSION APPLIES TO CONTACTS 21,22,23,26,29,32 AND 35 THRU 40 .
- 6 DIMENSION APPLIES TO CONTACTS 1 THRU 20, 24,25,27,28,30,31,33 AND 34.
- 7 RETENTION LEG: 3.81 µm MIN TIN-LEAD OVER 1.27µm MIN NICKEL.
- 8 RECOMMENDED PC BOARD THICKNESS IS 2.36 TO 3.81.
- 9 CONTACTS: 0.76µm GOLD FOR A LENGTH OF 1.90 MIN STARTING 0.40 MAX FROM MATING END. 1.27µm-3.81µm TIN FOR A LENGTH OF 3.43 MIN FROM OPPOSITE END. BOTH OVER 1.27µm MIN NICKEL.
- 10 RETENTION LEG: 3.81 µm MIN TIN OVER 1.27µm MIN NICKEL.

YES	9	10	788389-2
NO	10	10	788389-1
LEAD FREE	FINISH	PART NUMBER	

<small>THIS DRAWING IS A CONTROLLED DOCUMENT FOR AMP INCORPORATED. ALL CHANGES TO THIS DRAWING MUST BE APPROVED BY THE CONTROLLING ENGINEER. ORGANIZATION SHOULD BE CONTACTED FOR THE LATEST REVISION.</small>		DWN J RUDY 19MAY98 CHK D DEFIBAUGH 19MAY98 APVD D DEFIBAUGH 19MAY98	Tyco Electronics Harrisburg, PA 17105-3608
DIMENSIONS: mm 	TOLERANCES UNLESS OTHERWISE SPECIFIED: 0 PLC ± 1 PLC ±0.13 2 PLC ± 3 PLC ± 4 PLC ± ANGLES ±	NAME: RECEPTACLE ASSEMBLY, PRESS FIT, EXTENDED HEIGHT, VERTICAL, 40 POSN, SERIES 1, CHAMP BLINDMATE PRODUCT SPEC: APPLICATION SPEC: WEIGHT: CUSTOMER DRAWING	SIZE: A1 CASE CODE: 00779 DRAWING NO: 788389 SCALE: 4-1 SHEET: 1 of 1 REV: D2