



Chipsmall Limited consists of a professional team with an average of over 10 year of expertise in the distribution of electronic components. Based in Hongkong, we have already established firm and mutual-benefit business relationships with customers from,Europe,America and south Asia,supplying obsolete and hard-to-find components to meet their specific needs.

With the principle of “Quality Parts,Customers Priority,Honest Operation,and Considerate Service”,our business mainly focus on the distribution of electronic components. Line cards we deal with include Microchip,ALPS,ROHM,Xilinx,Pulse,ON,Everlight and Freescale. Main products comprise IC,Modules,Potentiometer,IC Socket,Relay,Connector.Our parts cover such applications as commercial,industrial, and automotives areas.

We are looking forward to setting up business relationship with you and hope to provide you with the best service and solution. Let us make a better world for our industry!



## Contact us

Tel: +86-755-8981 8866 Fax: +86-755-8427 6832

Email & Skype: info@chipsmall.com Web: www.chipsmall.com

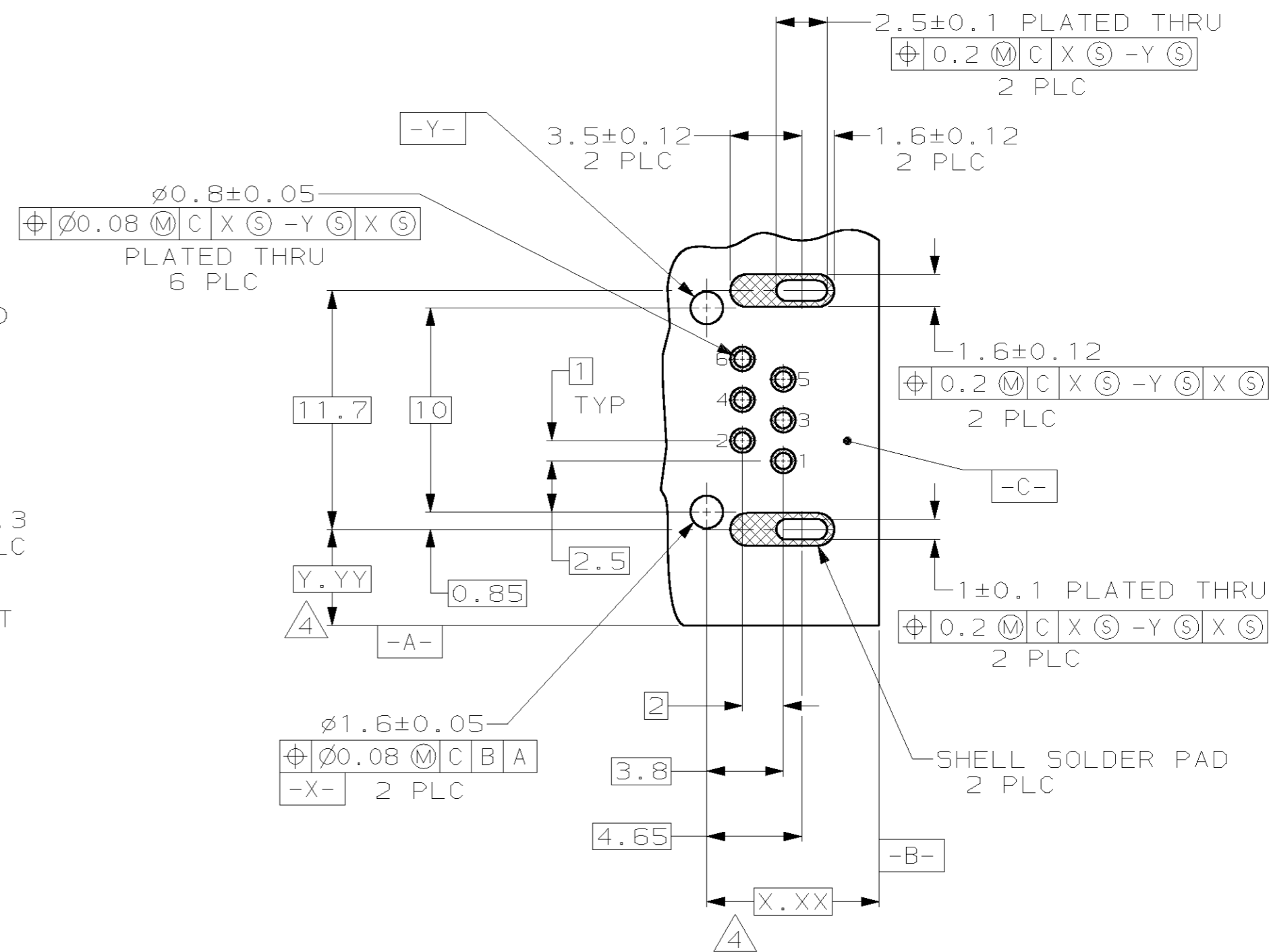
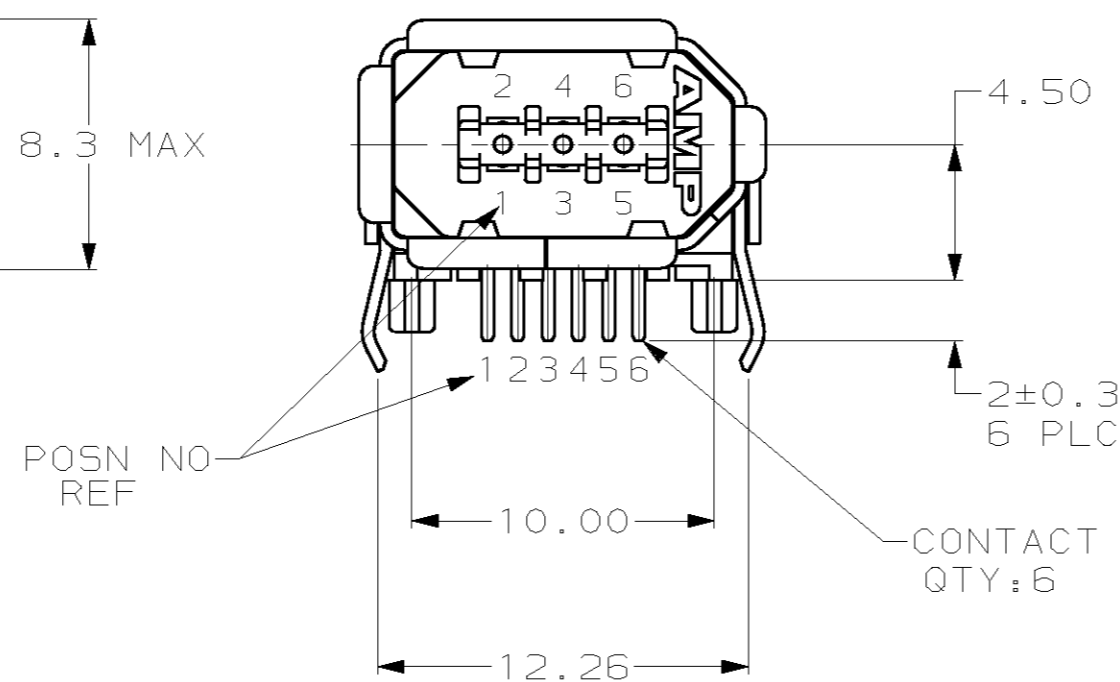
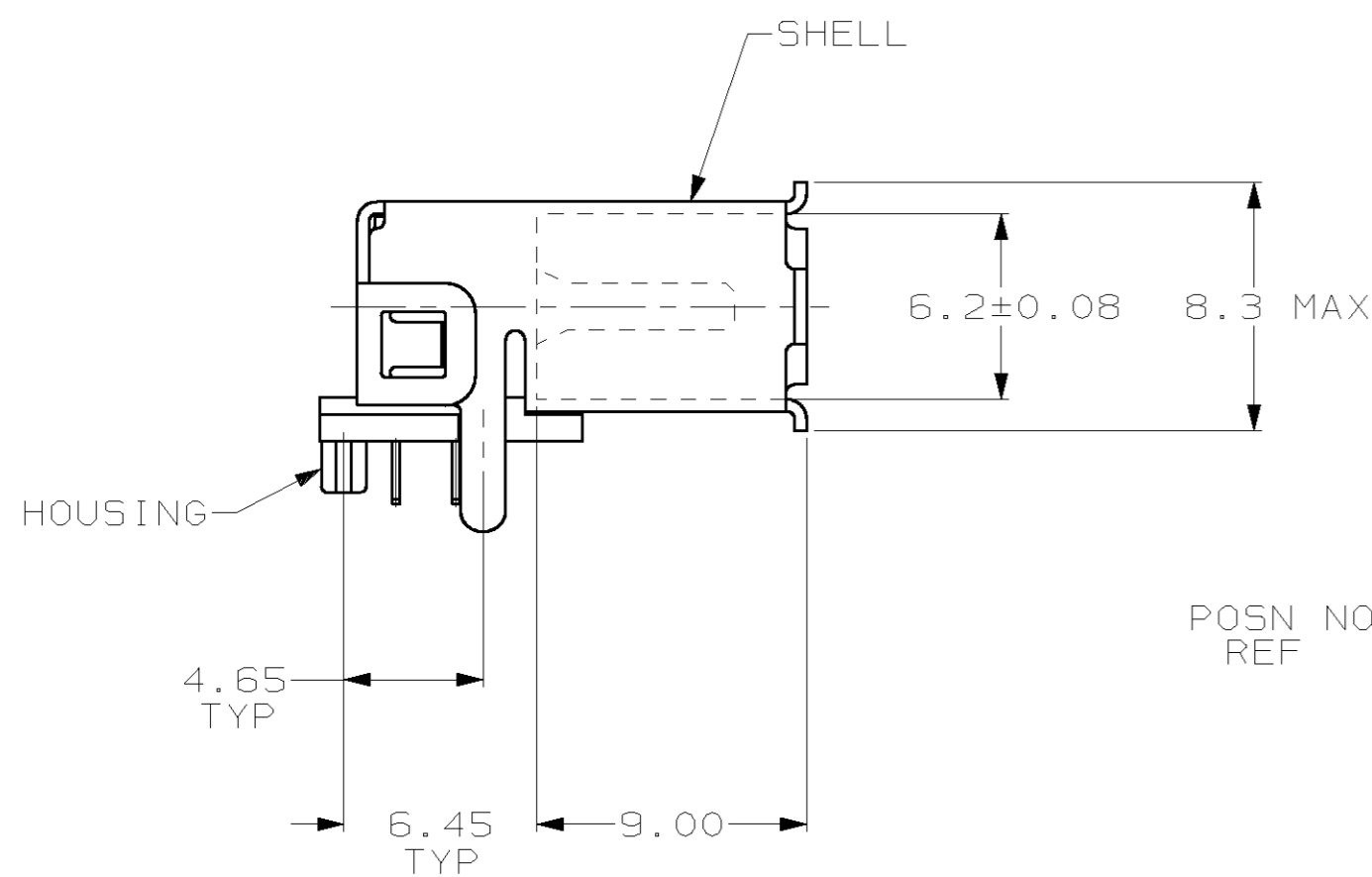
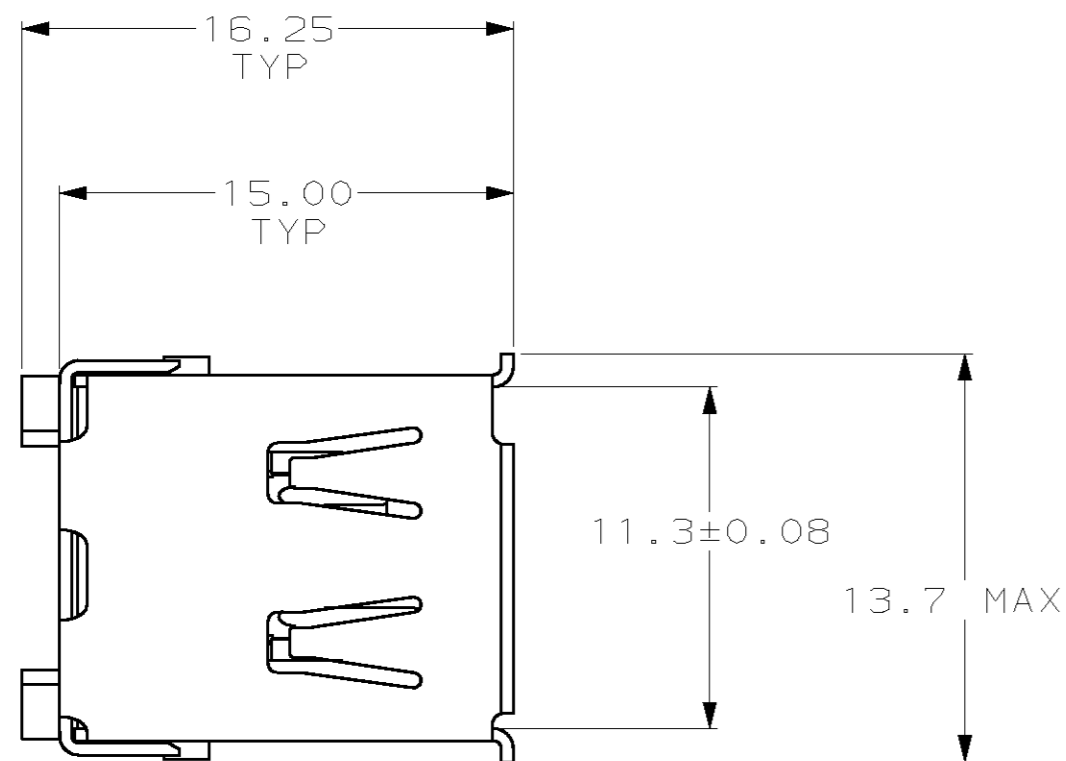
Address: A1208, Overseas Decoration Building, #122 Zhenhua RD., Futian, Shenzhen, China



THIS DRAWING IS UNPUBLISHED. RELEASED FOR PUBLICATION .19  
 © COPYRIGHT 19 BY AMP INCORPORATED. ALL RIGHTS RESERVED.

| LOC |     | DIST        |                           | REVISIONS |      |    |  |
|-----|-----|-------------|---------------------------|-----------|------|----|--|
| P   | LTR | DESCRIPTION | DATE                      | DWN       | APVD |    |  |
| BD  | 39  | 0           | REL WAS 96-8301-8 NPR 213 | 09-JUN-99 | MS   | JC |  |

- ① 0.076µm MIN GOLD OVER 0.76µm MIN PALLADIUM-NICKEL OR (0.76µm MIN GOLD) FOR A LENGTH OF 2 MIN ON MATING FACE END, 3.81µm MIN TIN-LEAD FOR A LENGTH OF 2.2 MIN ON OPPOSITE END, ALL OVER 1.27µm MIN NICKEL.
- ② 5.08µm MIN TIN.
- ③ LCP, BLACK, UL 94V-0 RATED.
- ④ DIMENSION TO BE ESTABLISHED BY CUSTOMER, X.XX BSC TO BE 8.45 MIN.



RECOMMENDED PWB LAYOUT  
CONNECTOR SIDE

788516-1

PART NO

|  |  |  |  |
|--|--|--|--|
| <small>THIS DRAWING IS A CONTROLLED DOCUMENT FOR AMP INCORPORATED. IT IS SUBJECT TO CHANGE AND THE CONTROLLING ENGINEERING ORGANIZATION SHOULD BE CONTACTED FOR THE LATEST REVISION.</small> |  | DWN: M.E.SHIRK 09JUN99<br>CHK: J.CONDRIGE 09JUN99<br>APVD: -<br>PRODUCT SPEC: -<br>APPLICATION SPEC: -<br>WEIGHT: -<br>CUSTOMER DRAWING: | 09JUN99<br><b>AMP</b> AMP Incorporated<br>Harrisburg, PA 17105-3608<br>SOCKET ASSEMBLY,<br>RIGHT ANGLE FLAT, THRU HOLE,<br>IEEE P1394<br>SIZE: A2 CAGE CODE: 00779 DRAWING NO: C=788516<br>SCALE: 4:1 SHEET: 1 OF 1 REV: 0 |
| DIMENSIONS:<br>mm<br>  | TOLERANCES UNLESS OTHERWISE SPECIFIED:<br>0 PLC ±-<br>1 PLC ±-<br>2 PLC ±0.13<br>3 PLC ±-<br>4 PLC ±-<br>ANGLES ±-<br>FINISH CONTACTS: ①<br>SHELL: ②<br>HOUSING: ③ | MATERIAL CONTACTS: BRASS<br>SHELL: PHOS BRONZE<br>HOUSING: ③   |  |