



Chipsmall Limited consists of a professional team with an average of over 10 year of expertise in the distribution of electronic components. Based in Hongkong, we have already established firm and mutual-benefit business relationships with customers from,Europe,America and south Asia,supplying obsolete and hard-to-find components to meet their specific needs.

With the principle of “Quality Parts,Customers Priority,Honest Operation,and Considerate Service”,our business mainly focus on the distribution of electronic components. Line cards we deal with include Microchip,ALPS,ROHM,Xilinx,Pulse,ON,Everlight and Freescale. Main products comprise IC,Modules,Potentiometer,IC Socket,Relay,Connector.Our parts cover such applications as commercial,industrial, and automotives areas.

We are looking forward to setting up business relationship with you and hope to provide you with the best service and solution. Let us make a better world for our industry!



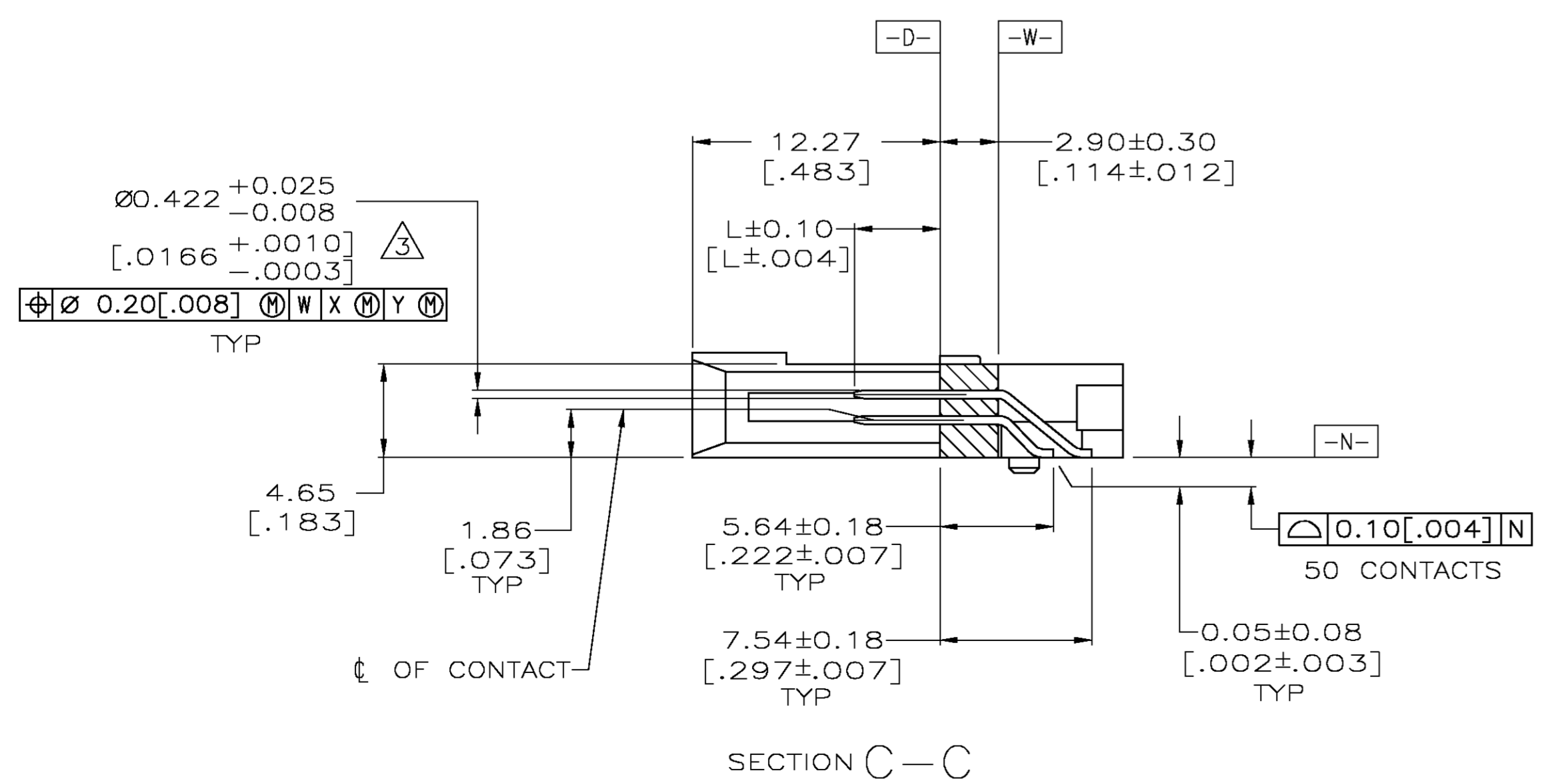
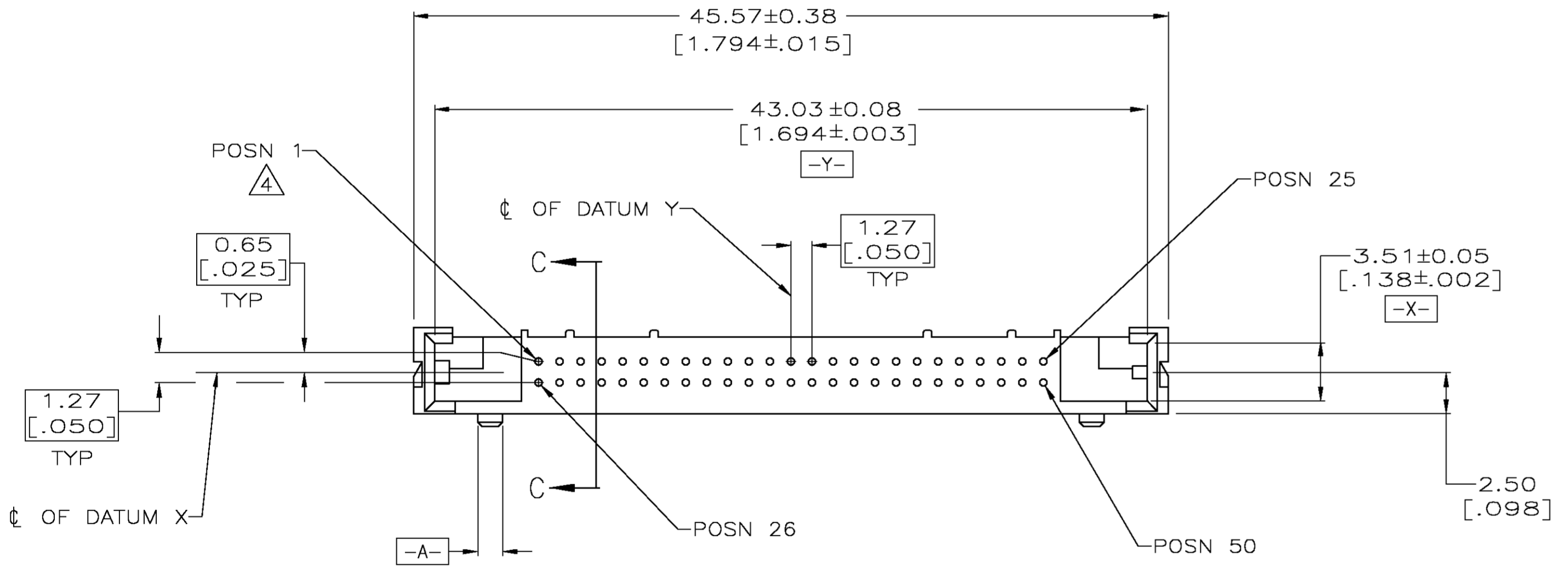
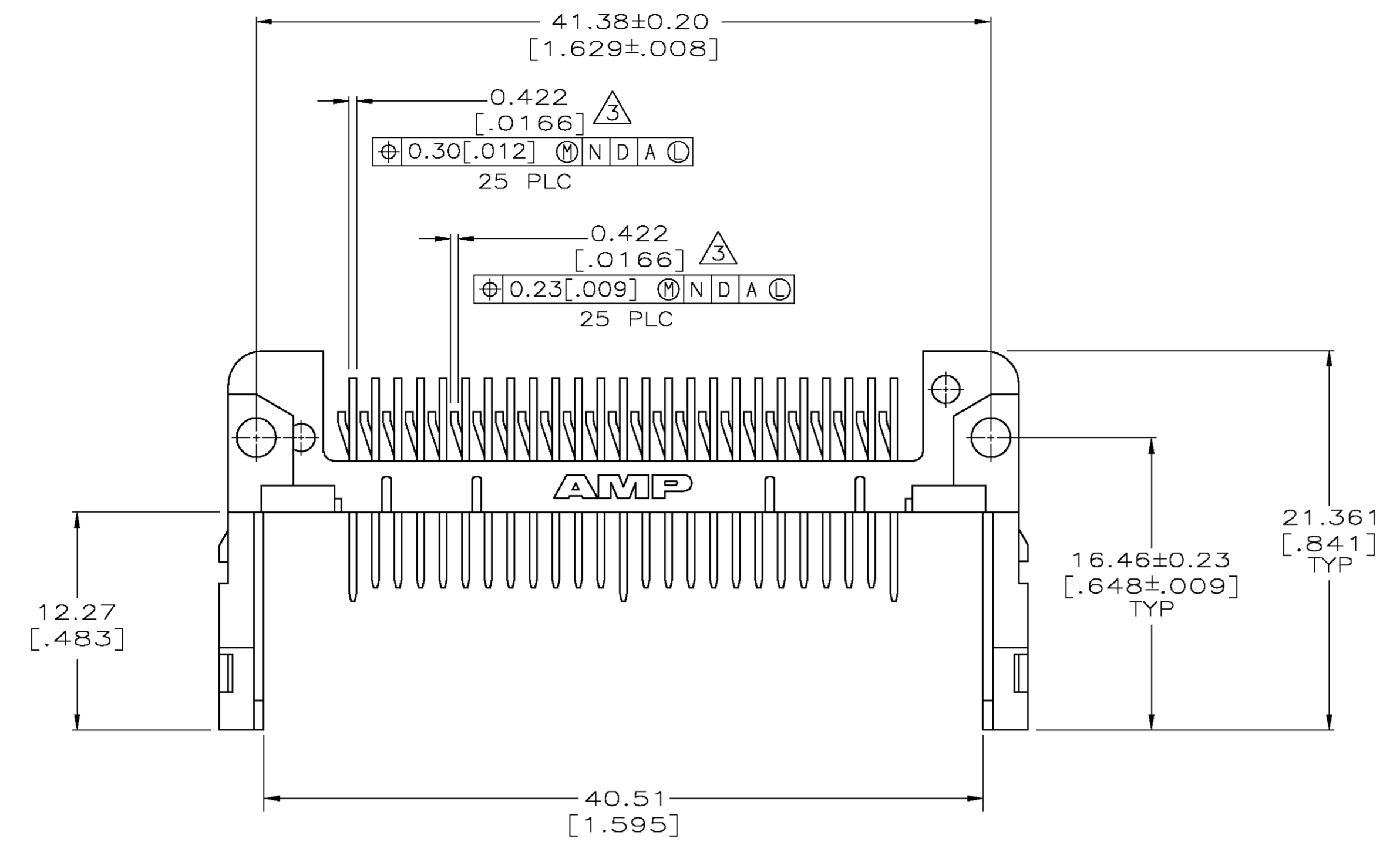
Contact us

Tel: +86-755-8981 8866 Fax: +86-755-8427 6832

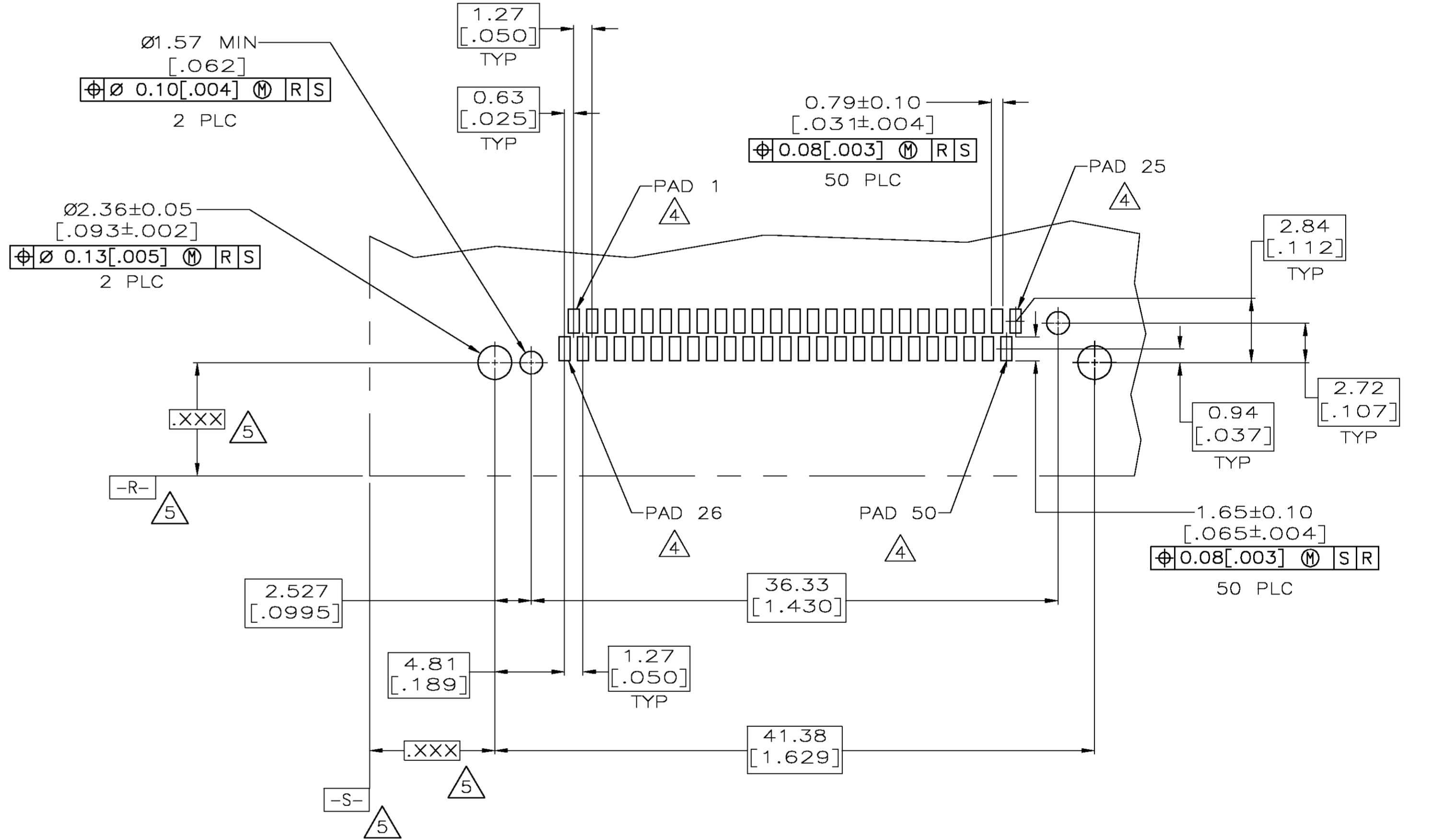
Email & Skype: info@chipsmall.com Web: www.chipsmall.com

Address: A1208, Overseas Decoration Building, #122 Zhenhua RD., Futian, Shenzhen, China





- △ HOUSING: POLYESTER LIQUID CRYSTAL, BLACK; CONTACTS: BRASS.
- △ CONTACTS: 0.76 μm [.00030] MINIMUM GOLD FOR A LENGTH OF 3.50 [.138] MIN FROM MATING END, 3.81 μm [.000150] MIN TIN-LEAD ON SOLDER TAILS, ALL OVER 1.27 μm [.000050] MINIMUM NICKEL
- △ POSITION TOLERANCE APPLIES AT CONTACT TIP.
- △ POSITION NUMBERS SHOWH FOR REFERENCE ONLY.
- △ DATUMS AND BASIC DIMENSIONS ESTABLISHED BY CUSTOMER.
- 6. CUSTOMER TO PROVIDE CARD GUIDANCE SYSTEM
- 7. CONNECTOR REQUIRES USE OF 2 - SIZE 2M SCREWS FOR FASTENING TO PRINTED CIRCUIT BOARD



RECOMMENDED PC BOARD MOUNTING DIMENSIONS

1, 13, 38, 50	ALL OTHER PINS	25, 26	788667-1
5.00 [.197]	4.25 [.167]	3.50 [.138]	PART NUMBER
"L" (PIN LENGTH) AND LOCATION			

THIS DRAWING IS A CONTROLLED DOCUMENT.

DIMENSIONS: MM [INCHES]	TOLERANCES UNLESS OTHERWISE SPECIFIED:	0 PLC ± -	1 PLC ± -	2 PLC ± -	3 PLC ± 0.13 [.005]	4 PLC ± -	ANGLES ± -
MATERIAL	FINISH	WEIGHT	SIZE	CAGE CODE	DRAWING NO	RESTRICTED TO	
△	△	-	A1	00779	788667	-	

CUSTOMER DRAWING SCALE 4:1 SHEET 1 OF 1 REV A