



Chipsmall Limited consists of a professional team with an average of over 10 year of expertise in the distribution of electronic components. Based in Hongkong, we have already established firm and mutual-benefit business relationships with customers from,Europe,America and south Asia,supplying obsolete and hard-to-find components to meet their specific needs.

With the principle of “Quality Parts,Customers Priority,Honest Operation,and Considerate Service”,our business mainly focus on the distribution of electronic components. Line cards we deal with include Microchip,ALPS,ROHM,Xilinx,Pulse,ON,Everlight and Freescale. Main products comprise IC,Modules,Potentiometer,IC Socket,Relay,Connector.Our parts cover such applications as commercial,industrial, and automotives areas.

We are looking forward to setting up business relationship with you and hope to provide you with the best service and solution. Let us make a better world for our industry!



Contact us

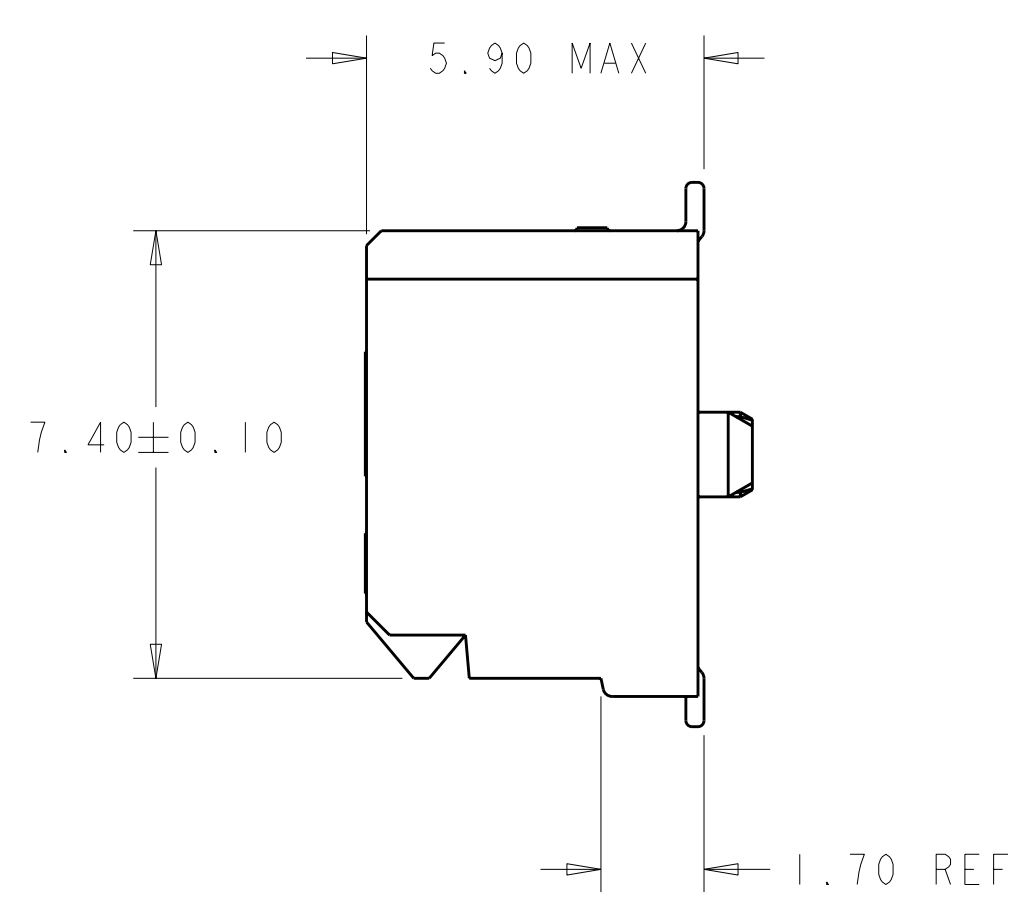
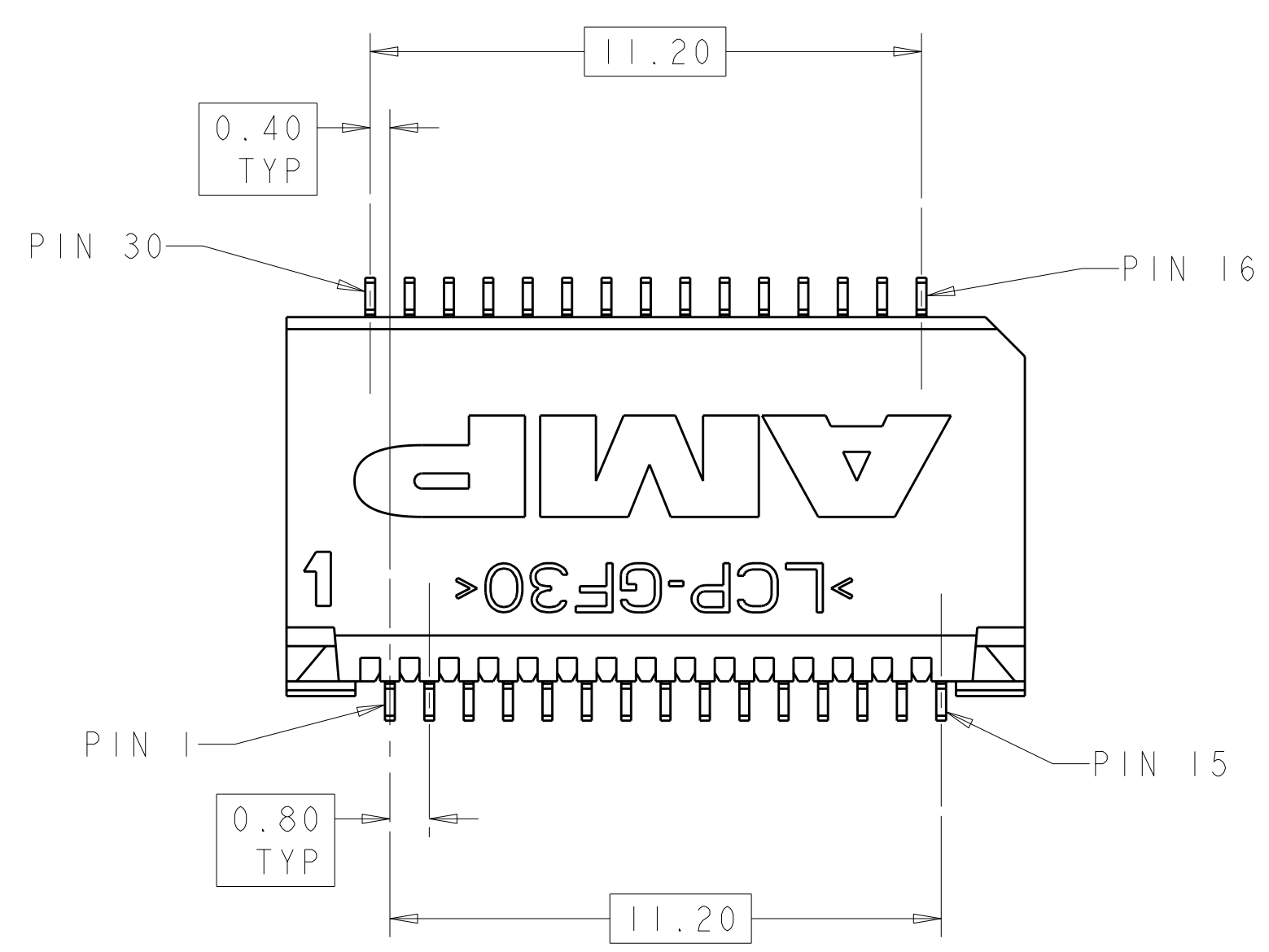
Tel: +86-755-8981 8866 Fax: +86-755-8427 6832

Email & Skype: info@chipsmall.com Web: www.chipsmall.com

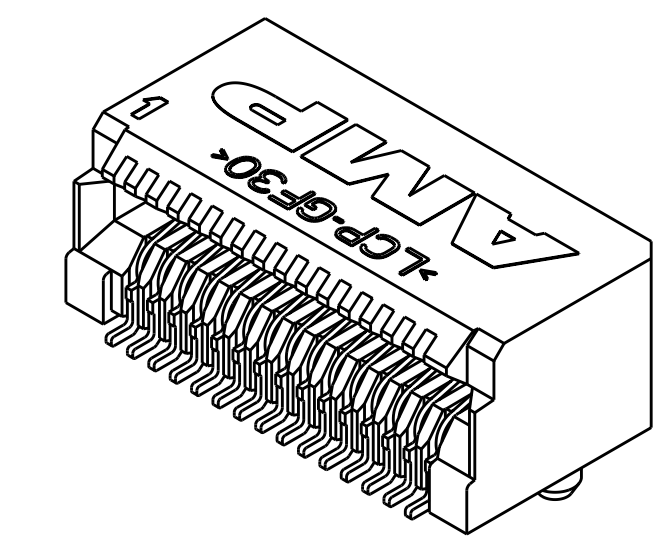
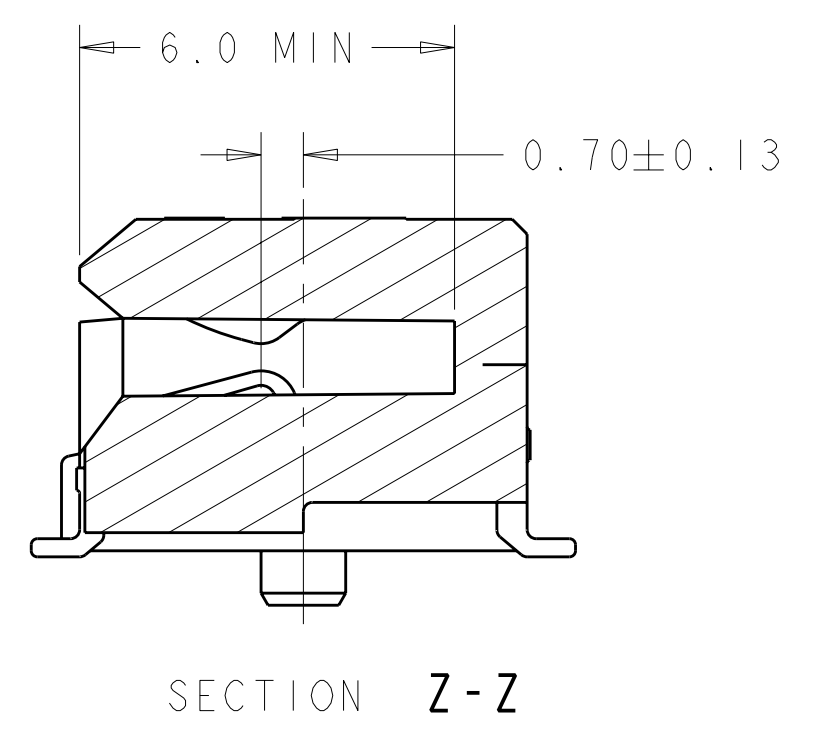
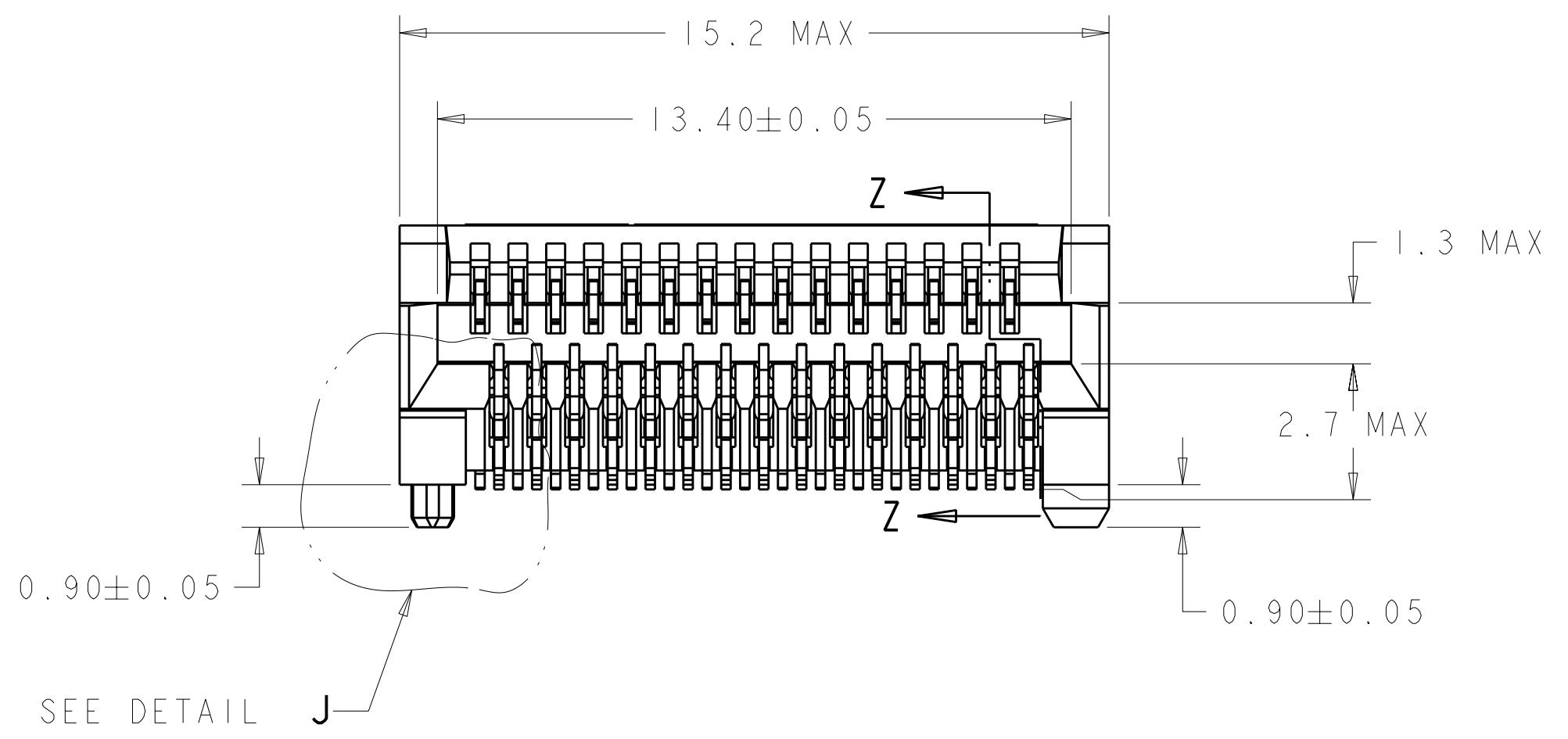
Address: A1208, Overseas Decoration Building, #122 Zhenhua RD., Futian, Shenzhen, China



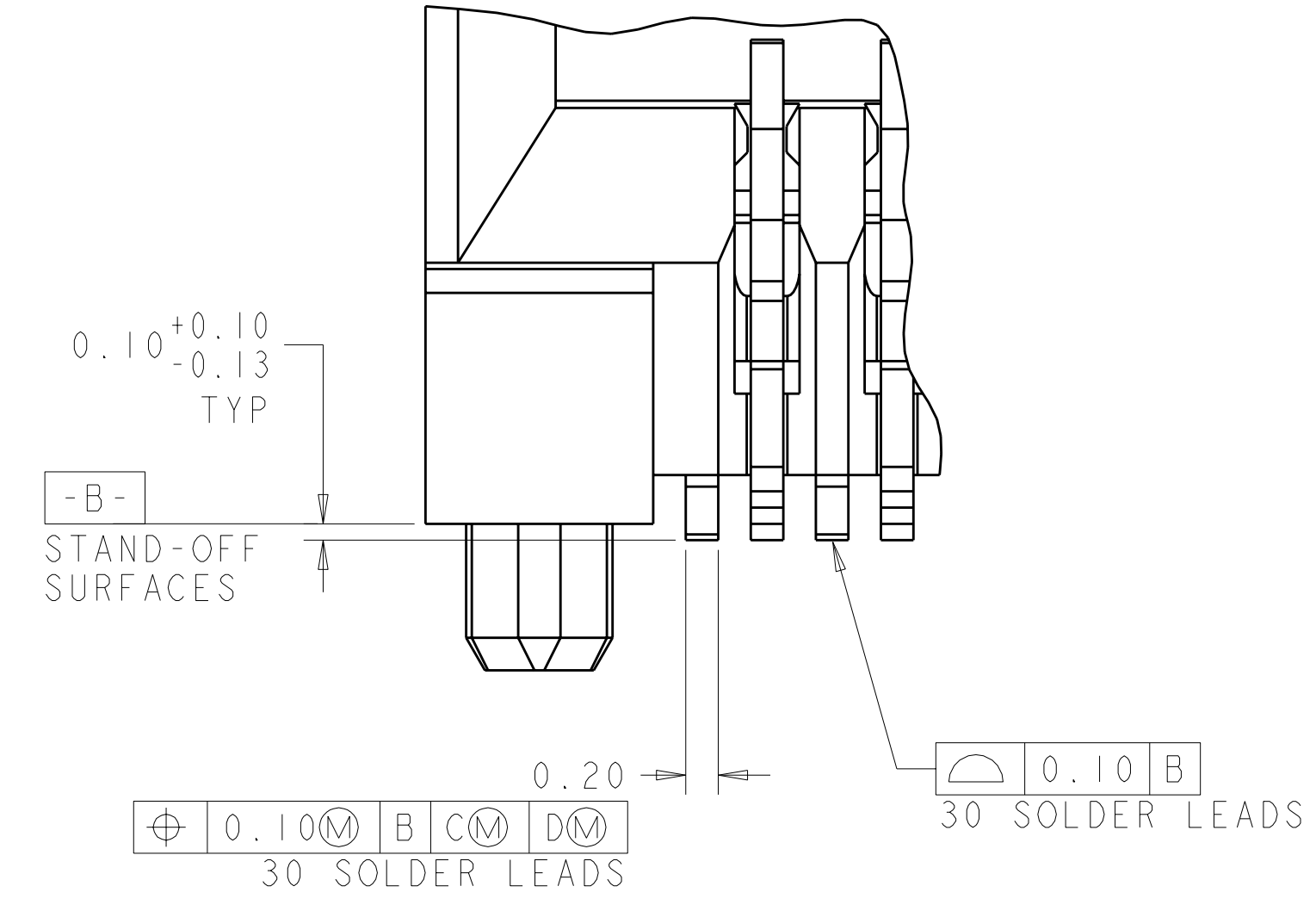
LOC	DIST	REV	DATE	BY	CHKD	APVD
ES	00	G1	14MAR2011	RK	HMR	



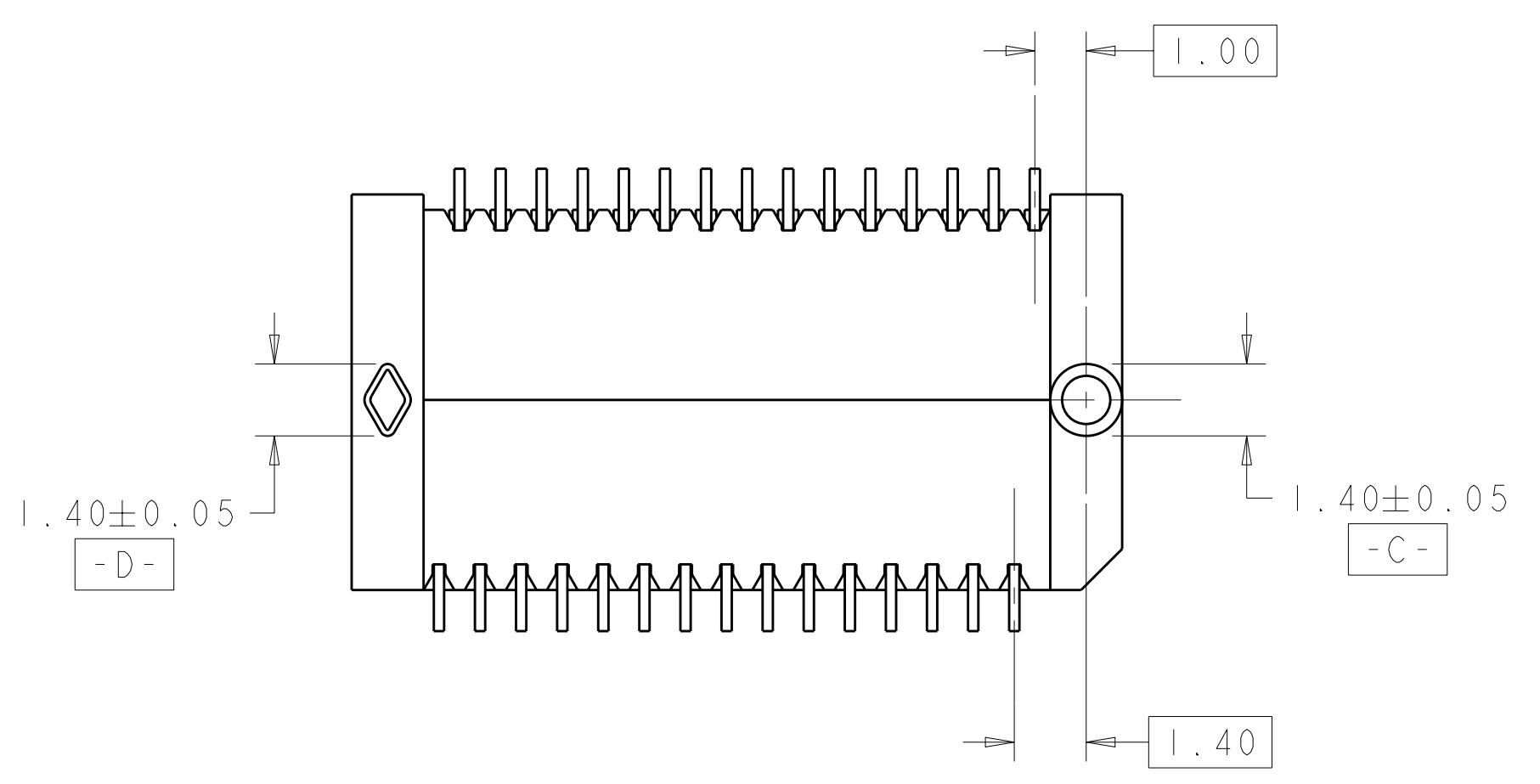
- PART COMPATIBLE WITH XFP MSA. REFER TO THE SFP MSA FOR DIMENSIONS NOT SHOWN ON THIS PRINT.
- HOUSING: HIGH TEMPERATURE LCP, UL 94V-0 RATED, BLACK. CONTACT: PHOSPHOR BRONZE.
- CONTACTS: 0.00038 MIN GOLD IN CONTACT AREA, 0.00013 MIN GOLD ON SOLDER AREA, OVER 0.0038 MIN NICKEL UNDERPLATE ON ENTIRE CONTACT.
- PACKAGED PIECES PER REEL.
- GROUND, POWER AND SIGNAL PAD ARRANGEMENT TO BE DETERMINED BY CUSTOMER.
- DATUMS AND BASIC DIMENSIONS ESTABLISHED BY CUSTOMER.
- CONTACTS: 0.00076 MIN GOLD IN CONTACT AREA, 0.00013 MIN GOLD ON SOLDER AREA, OVER 0.0038 MIN NICKEL UNDERPLATE ON ENTIRE CONTACT.
- SOLDER MASK KEEP OUT AREA.
- CONTACTS: 0.00127 MIN GOLD IN CONTACT AREA, 0.00013 MIN GOLD ON SOLDER AREA, OVER 0.0038 MIN NICKEL UNDERPLATE ON ENTIRE CONTACT.



SCALE 5:1



DETAIL J
SCALE 25:1

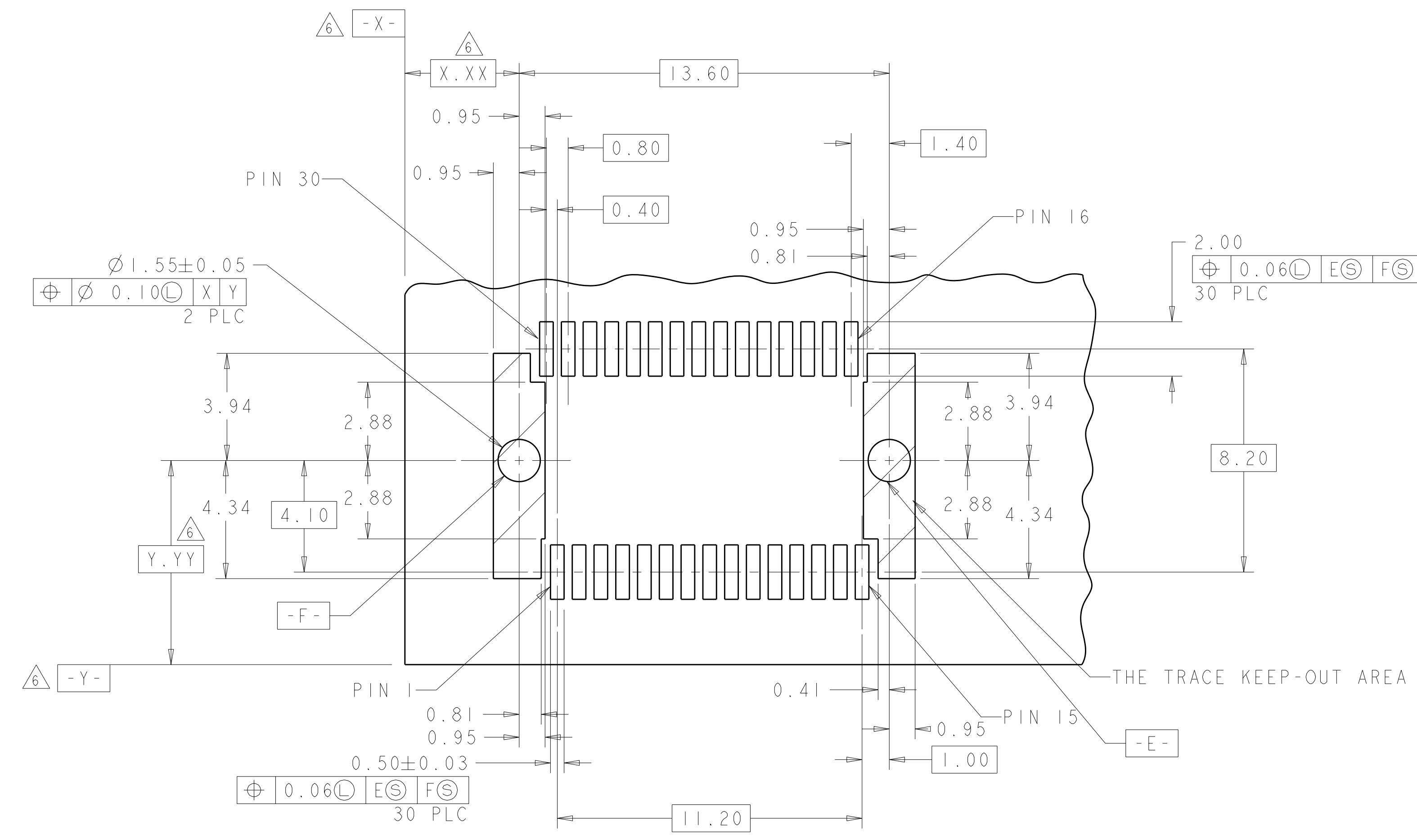


FINISH	PART NUMBER
9	788862-3
7	788862-2
3	788862-1

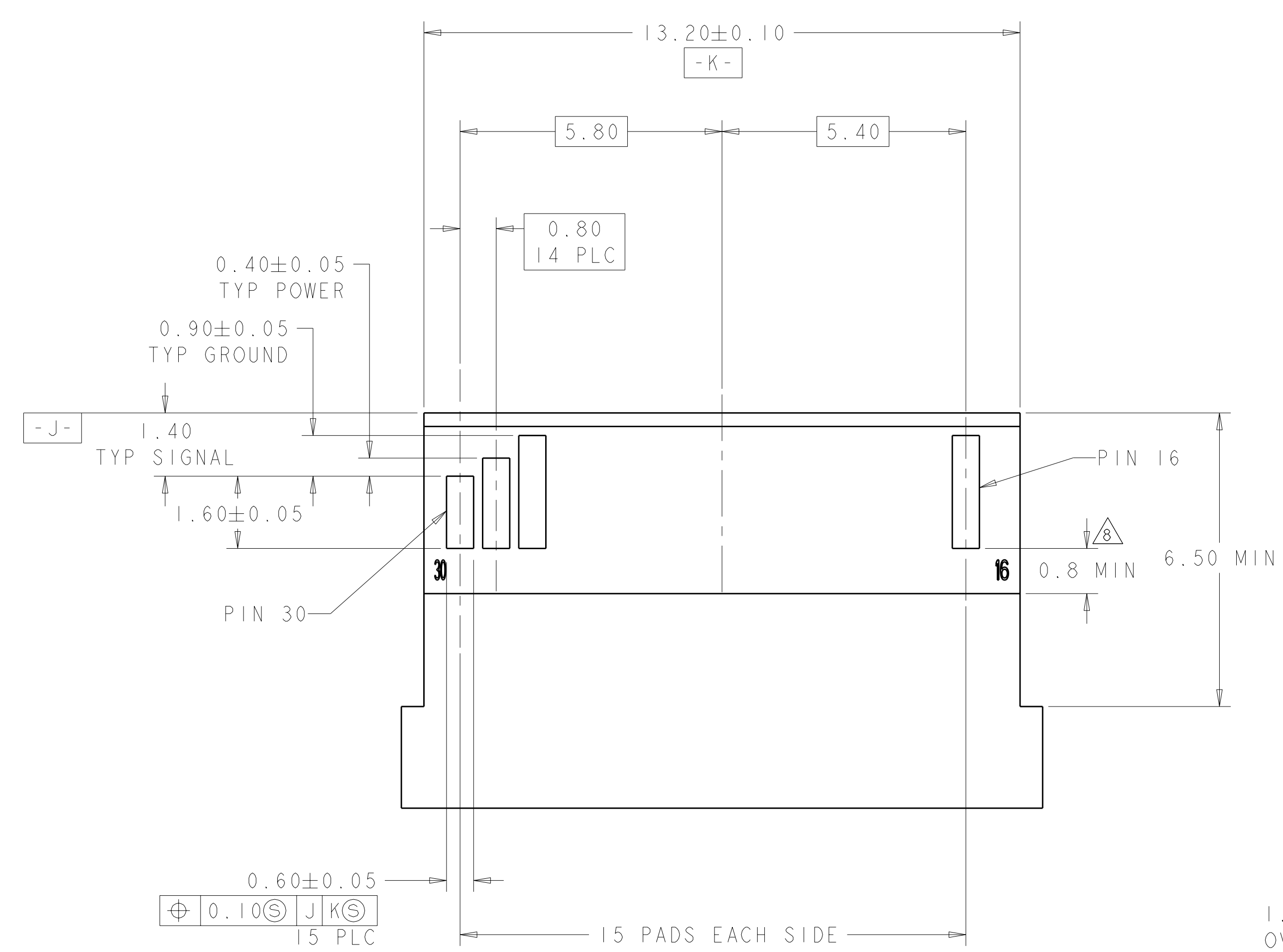
THIS DRAWING IS A CONTROLLED DOCUMENT.		DWN: J. GEBACE 15JAN02 CHK: J. KOPPENHEFFER 15JAN02 APVD: M. WALMSLEY 15JAN02	NAME: PT CONNECTOR ASSEMBLY, 30 POSITION, XFP, RTANG, 0.8MM PITCH PRODUCT SPEC: 108-1949 APPLICATION SPEC: 114-13017
DIMENSIONS: mm TOLERANCES UNLESS OTHERWISE SPECIFIED: 9 PLC ± 3 PLC ±0.10 5 PLC ± 4 PLC ± ANGLES ±	MATERIAL: SEE TABLE FINISH: SEE TABLE	WEIGHT: - CUSTOMER DRAWING	SCALE: 8:1 SHEET: 1 OF 2 REV: G1

LOC	DIST	REV	DATE	BY	APPD
ES	00				

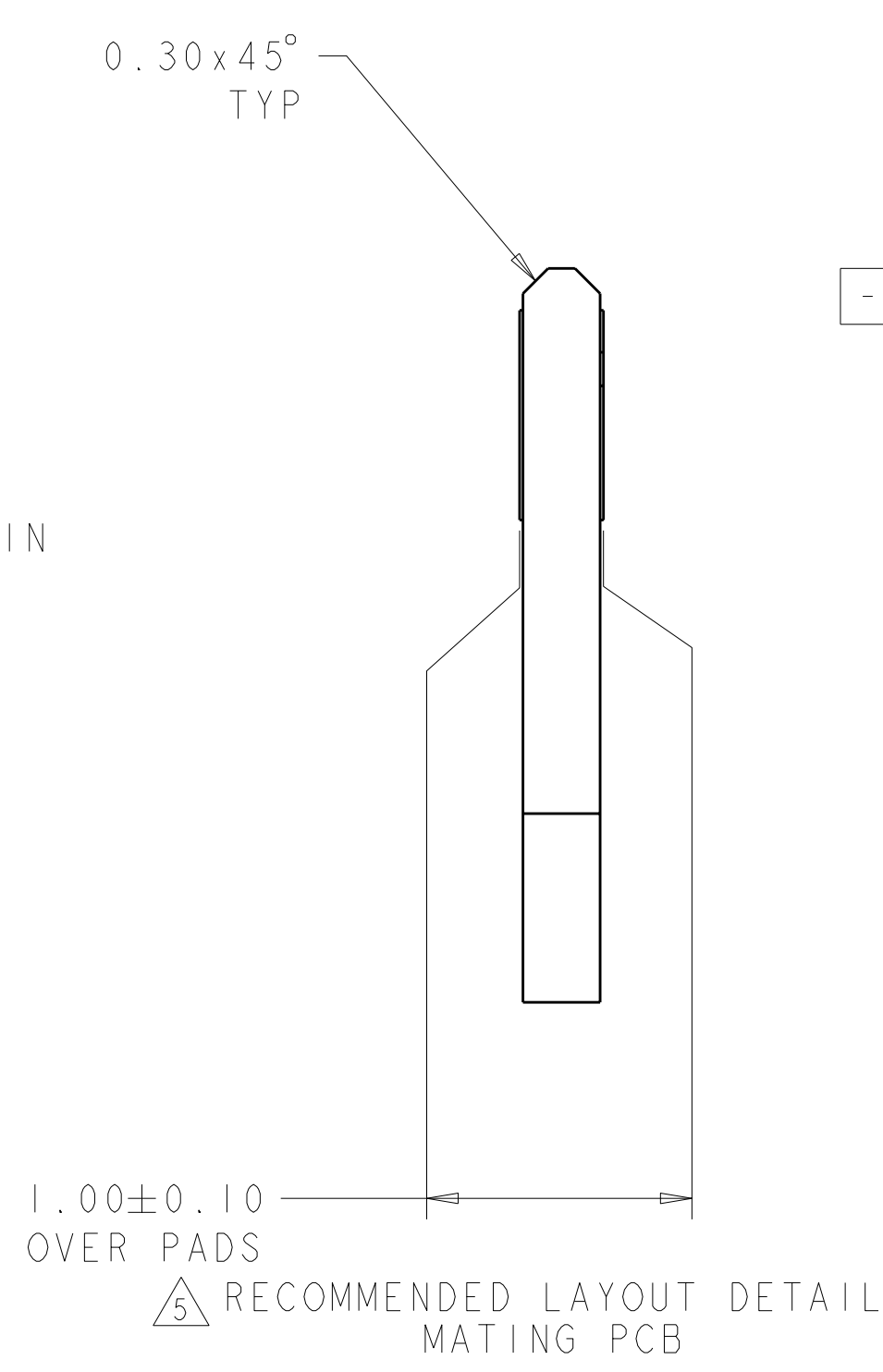
REVISIONS		DATE	BY	APPD
1	SEE SHEET 1			



RECOMMENDED PCB LAYOUT DETAIL
CONNECTOR MOUNTING SIDE
SCALE 8:1

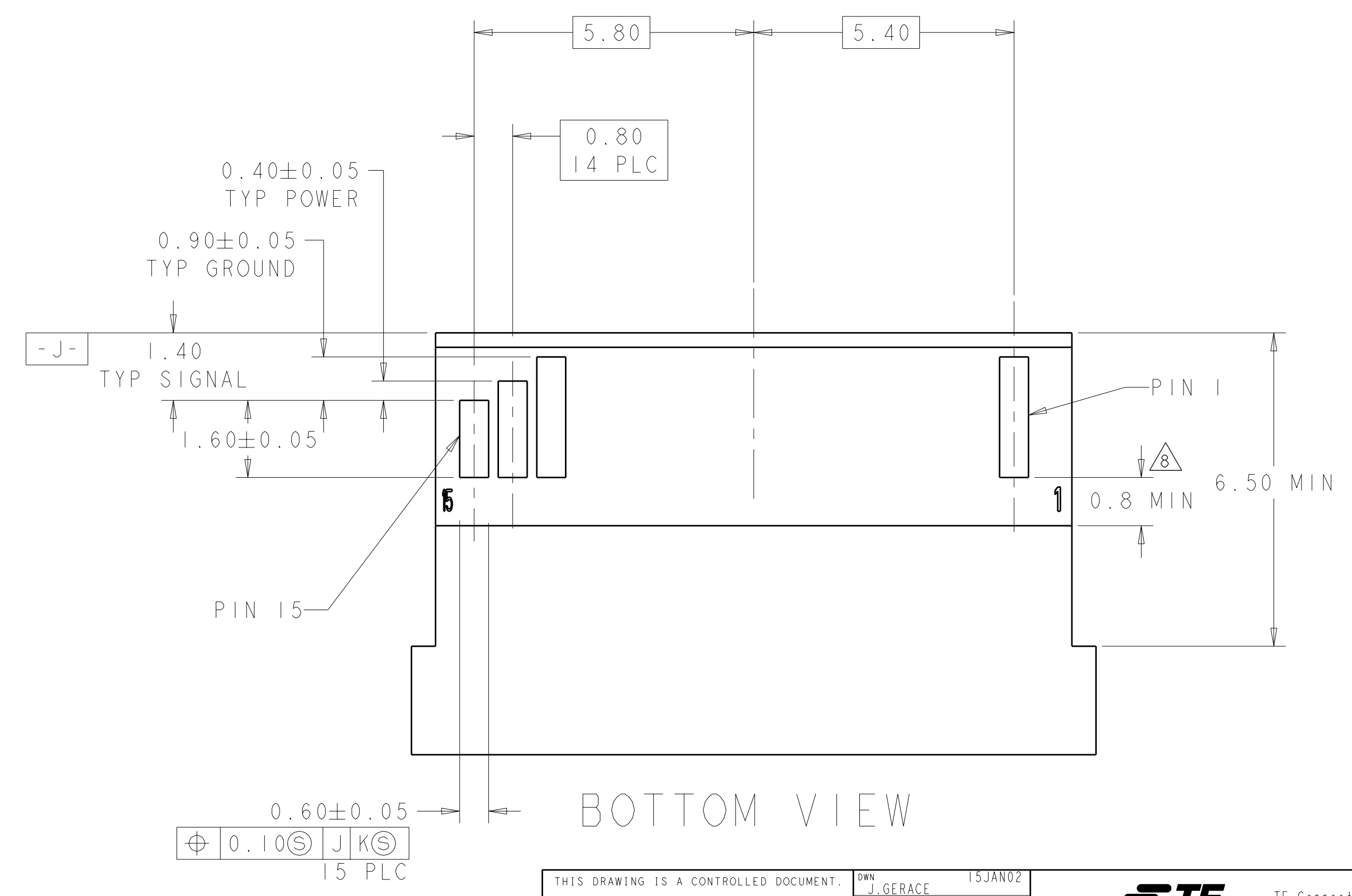


TOP VIEW



RECOMMENDED LAYOUT DETAIL
MATING PCB

SCALE 12:1



BOTTOM VIEW

THIS DRAWING IS A CONTROLLED DOCUMENT.		DWN: J. GERACE	15JAN02	TE Connectivity
DIMENSIONS: mm		CHK: J. KOPPENHEFFER	15JAN02	
TOLERANCES UNLESS OTHERWISE SPECIFIED:		APVD: M. WALMSLEY	15JAN02	NAME: PT CONNECTOR ASSEMBLY, 30 POSITION, XFP, RTANG, 0.8MM PITCH
9 PLC	±	PRODUCT SPEC		SIZE: CAGE CODE: DRAWING NO: RESTRICTED TO
1 PLC	±0.10	108-1949		A100779C=788862
2 PLC	±	APPLICATION SPEC		SCALE: 8:1 SHEET: 2 OF 2 REV: G1
3 PLC	±	114-13017		
4 PLC	±	WEIGHT		
5 PLC	±	CUSTOMER DRAWING		
ANGLES	±			
MATERIAL				
FINISH				