



Chipsmall Limited consists of a professional team with an average of over 10 year of expertise in the distribution of electronic components. Based in Hongkong, we have already established firm and mutual-benefit business relationships with customers from,Europe,America and south Asia,supplying obsolete and hard-to-find components to meet their specific needs.

With the principle of “Quality Parts,Customers Priority,Honest Operation,and Considerate Service”,our business mainly focus on the distribution of electronic components. Line cards we deal with include Microchip,ALPS,ROHM,Xilinx,Pulse,ON,Everlight and Freescale. Main products comprise IC,Modules,Potentiometer,IC Socket,Relay,Connector.Our parts cover such applications as commercial,industrial, and automotives areas.

We are looking forward to setting up business relationship with you and hope to provide you with the best service and solution. Let us make a better world for our industry!



Contact us

Tel: +86-755-8981 8866 Fax: +86-755-8427 6832

Email & Skype: info@chipsmall.com Web: www.chipsmall.com

Address: A1208, Overseas Decoration Building, #122 Zhenhua RD., Futian, Shenzhen, China

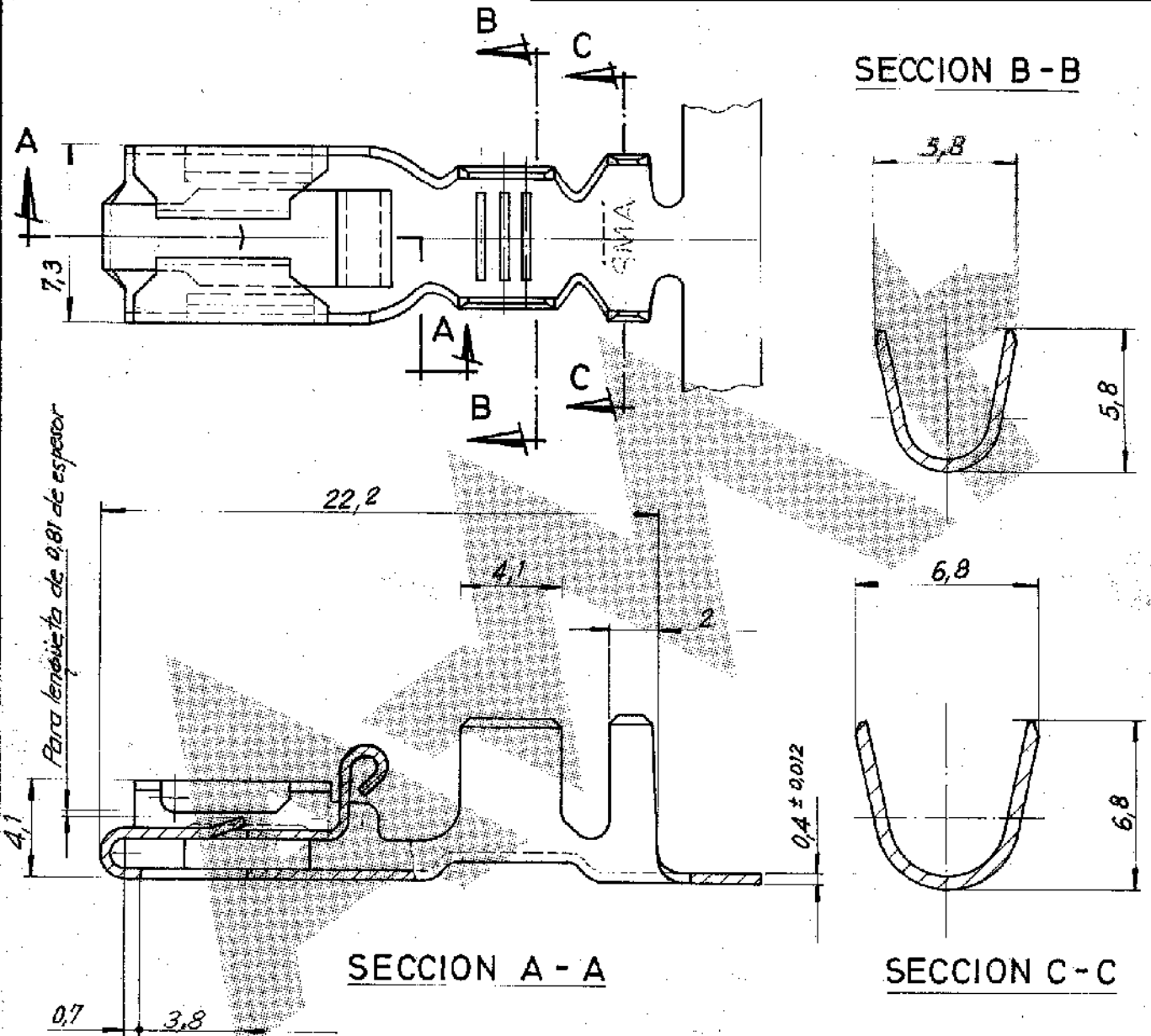


NUMERO 790 319

DIBUJADO EN PROYECCIONES

AMERICANAS
EUROPEAS

REV	DESCRIPTION	DATE	DW	APPV
F1	REVISED PER ECO-10-000445	22JAN10	KK	HMR
G	SEE ECR-11-006271	25MAR11	JS	LB



- 1 OBSOLETE PARTS: OBSOLETE CIS STREAMLINING PER D.RENAUD/D.SINISI
- 2 WIRE CRIMP 6500 CMA MINIMUM

Tolerancia general $\pm 0,38 / \pm 1^\circ$

PLANO DE CLIENTE SOLO PARA REFERENCIA

OBS	790319-6	LATON	PLATEADO
OBS	790319-7	BRONCE FOSF.	PLATEADO
△	790319-6	BRONCE FOSF.	PLATEADO
	790319-5	BRONCE FOSF.	PRE-ESTANADO
	790319-4	BRONCE FOSF.	
	790319-3	Latón	Pre-estánado
	790319-1	Latón	



GAMA HILO	GAMA AISLANTE	PRIMER USO
3,3 - 6 m/m ²	3A - 5,1 mm ²	
EBCALA	LOC	N.º
	AL	A
N.º ORDEN		790 319
MATERIAL		
ACABADO		
DIB.		FECHA
16-9-80		4/5/81
COMP.		FECHA
4/5/83		REV. F 6500-0018-99
NOMBRE		
RECEPTACULO POSITIVE LOCK		

DIMENSIONES EN M.M.

LOCC AL

DIST. 2