



Chipsmall Limited consists of a professional team with an average of over 10 year of expertise in the distribution of electronic components. Based in Hongkong, we have already established firm and mutual-benefit business relationships with customers from,Europe,America and south Asia,supplying obsolete and hard-to-find components to meet their specific needs.

With the principle of "Quality Parts,Customers Priority,Honest Operation,and Considerate Service",our business mainly focus on the distribution of electronic components. Line cards we deal with include Microchip,ALPS,ROHM,Xilinx,Pulse,ON,Everlight and Freescale. Main products comprise IC,Modules,Potentiometer,IC Socket,Relay,Connector.Our parts cover such applications as commercial,industrial, and automotives areas.

We are looking forward to setting up business relationship with you and hope to provide you with the best service and solution. Let us make a better world for our industry!



Contact us

Tel: +86-755-8981 8866 Fax: +86-755-8427 6832

Email & Skype: info@chipsmall.com Web: www.chipsmall.com

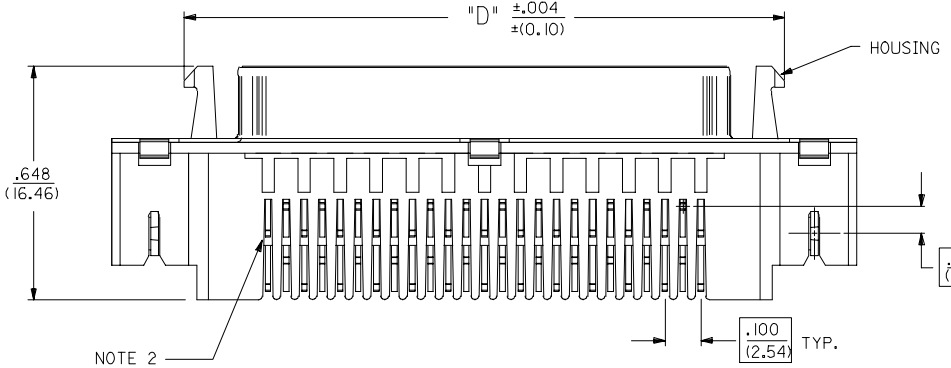
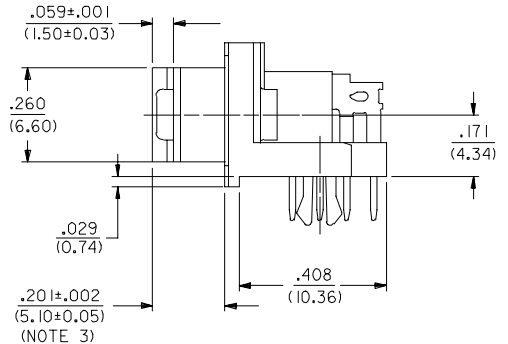
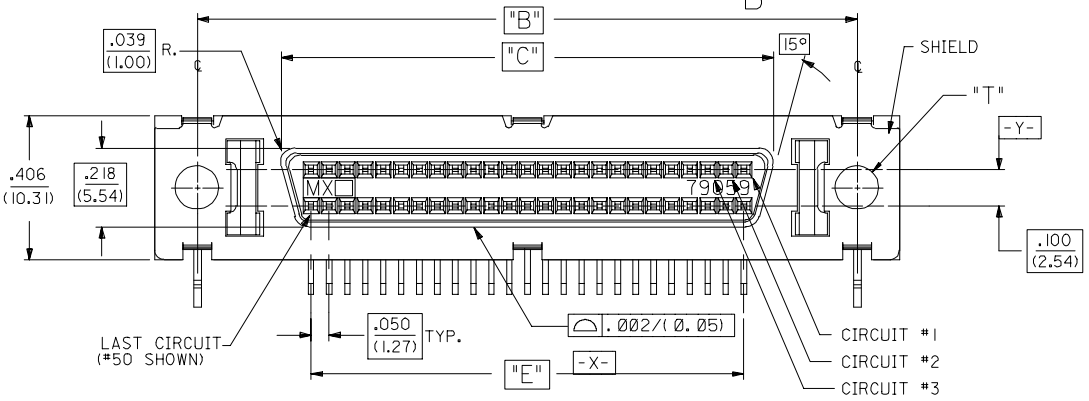
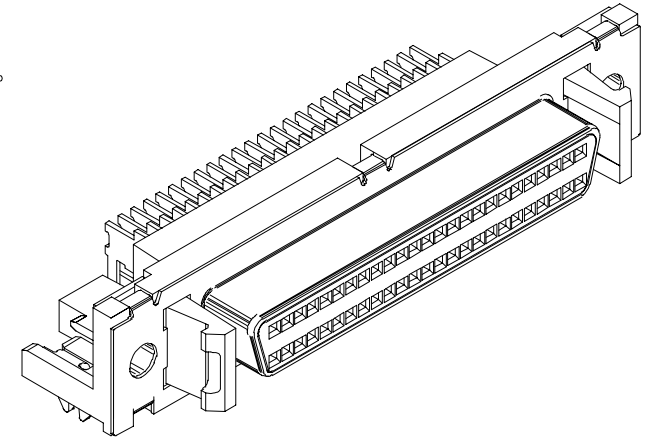
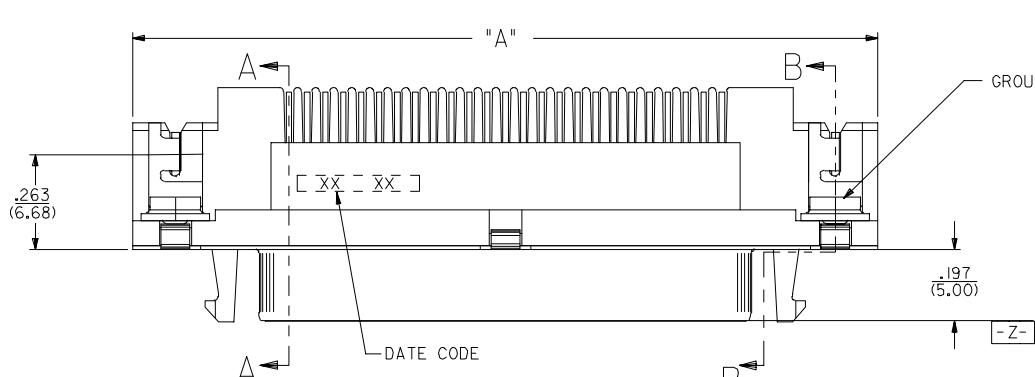
Address: A1208, Overseas Decoration Building, #122 Zhenhua RD., Futian, Shenzhen, China



13 12 11 10 9 8 7 6 5 4 3 2 1

J
I
H
G
F
E
D
C
B
A

J
I
H
G
F
E
D
C
B
A



- NOTES:**
- SEE SHEET 4 & 5 FOR CHARTED DIMENSIONS AND PART NUMBERS.
 - FOR FIXED TAIL / PCB PATTERN AT LAST CIRCUIT POSITIONS REFER TO SECTION A-A ON SHEET 2 AND PCB LAYOUTS ON SHEET 3.
 - THIS DIMENSION TO MEET SPECIFICATIONS AFTER SHIELD IS FULLY SEATED TO HOUSING AS A RESULT OF A BRACKET OR PANEL.
 - REFER TO PS-79058 PRODUCT SPEC. FOR ELECTRICAL, MECHANICAL AND ENVIRONMENTAL SPECIFICATIONS.
 - MATERIAL:**
RECEPTACLE HOUSING: GLASS FILLED LIQUID CRYSTAL POLYMER; COLOR-BLACK; UL 94V-0
CONTACTS: PHOSPHOR BRONZE
SHIELD: STEEL WITH BRIGHT NICKEL OVER COPPER FLASH (OPTIONAL)
GROUNDING CLIP: BRASS WITH TIN OVER NICKEL PLATE
 - PACKAGING:**
PARTS PACKAGED IN TUBES PER PK-70873-0207

5	T
4	T
3	S
2	S
1	T
SHT.	REV.

TERMINAL FINISH:
SELECTIVE GOLD: THICKNESS= 30 MICROINCHES/(0.76 MICROMETERS) MINIMUM.
SELECTIVE TIN: THICKNESS= 75 MICROINCHES/(1.90 MICROMETERS) MINIMUM.
NICKEL UNDERPLATE OVERALL.

NOTE FOR LEAD FREE CONVERSION:
THE PRIMARY SHIPPING CARTON WILL BE LABELED 'COMPLIANT TO ROHS DIRECTIVE 2002/95/EC AND ELV ANNEX II OF DIRECTIVE 2000/53/EC'. CARTONS WITHOUT THIS LABEL MAY CONTAIN PRODUCT WITH LEAD.

REMOVE OBSOLETE #S	DESCRIPTION	QUALITY SYMBOLS
FC NO: UCP2006-2901	2006/06/12	▽=0
DRWNS:BARRA	2006/06/12	▽=0
CHKD:BBARKER	2006/06/12	
APPR:SMILLER	2006/06/14	

GENERAL TOLERANCES (UNLESS SPECIFIED)	
4 PLACES ± ---	± .005
3 PLACES ± ---	± .013
2 PLACES ± ---	± ---
1 PLACE ± ---	± ---
ANGULAR ±1/2°	

DIMENSION STYLE	
IN/MM	DATE
DRAWN BY	DATE
DLONG	03/27/1989
CHECKED BY	DATE
BOWEN	03/27/1989
APPROVED BY	DATE
DJB	03/27/1989

SCALE 4:1 DESIGN UNITS INCH

THIRD ANGLE PROJECTION

SCSI SHIELDED RECEPTACLE ASSEMBLY WITH LATCHES

MOLEX MOLEX INCORPORATED

MATERIAL NO. SEE TABLE DOCUMENT NO. SDA-79059-2*** SHEET NO. 1 OF 5

DRAFT WHERE APPLICABLE MUST REMAIN WITHIN DIMENSIONS

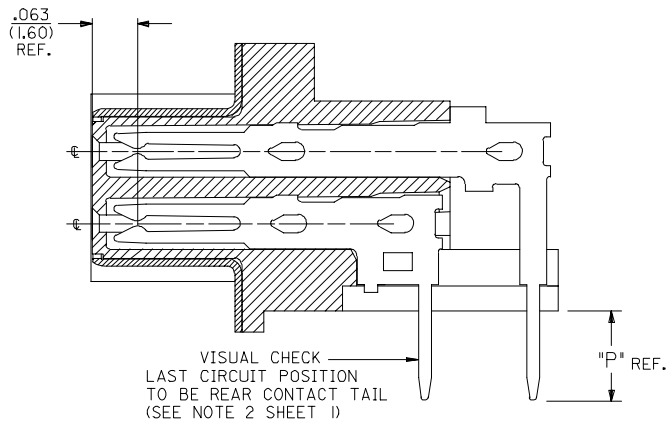
THIS DRAWING CONTAINS INFORMATION THAT IS PROPRIETARY TO MOLEX INCORPORATED AND SHOULD NOT BE USED WITHOUT WRITTEN PERMISSION

12 11 10 9 8 7 6 5 4 3 2 1

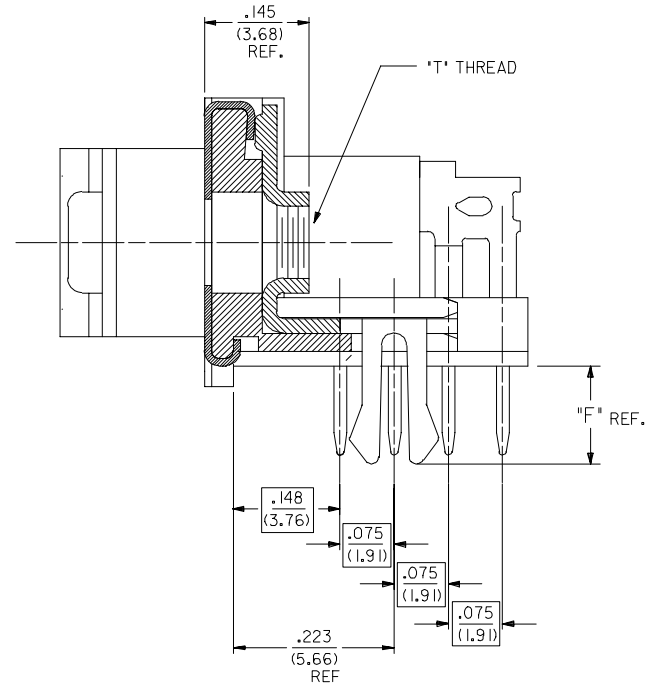
13 12 11 10 9 8 7 6 5 4 3 2 1

J
I
H
G
F
E
D
C
B
A

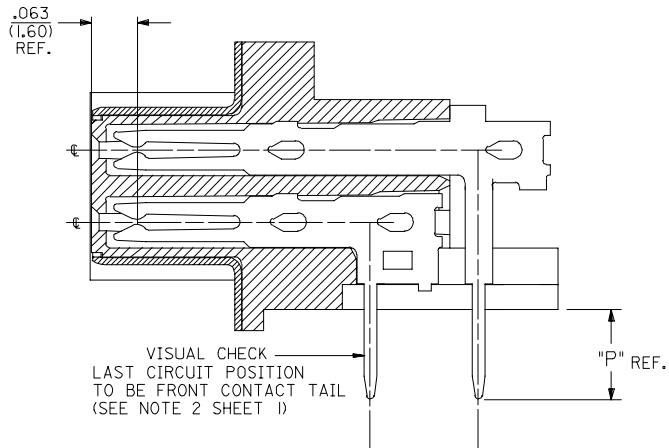
J
I
H
G
F
E
D
C
B
A



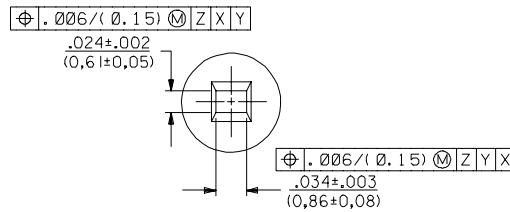
SECTION A-A
68 CIRCUIT TYPE II TAIL VERSION
50 CIRCUIT



SECTION B-B



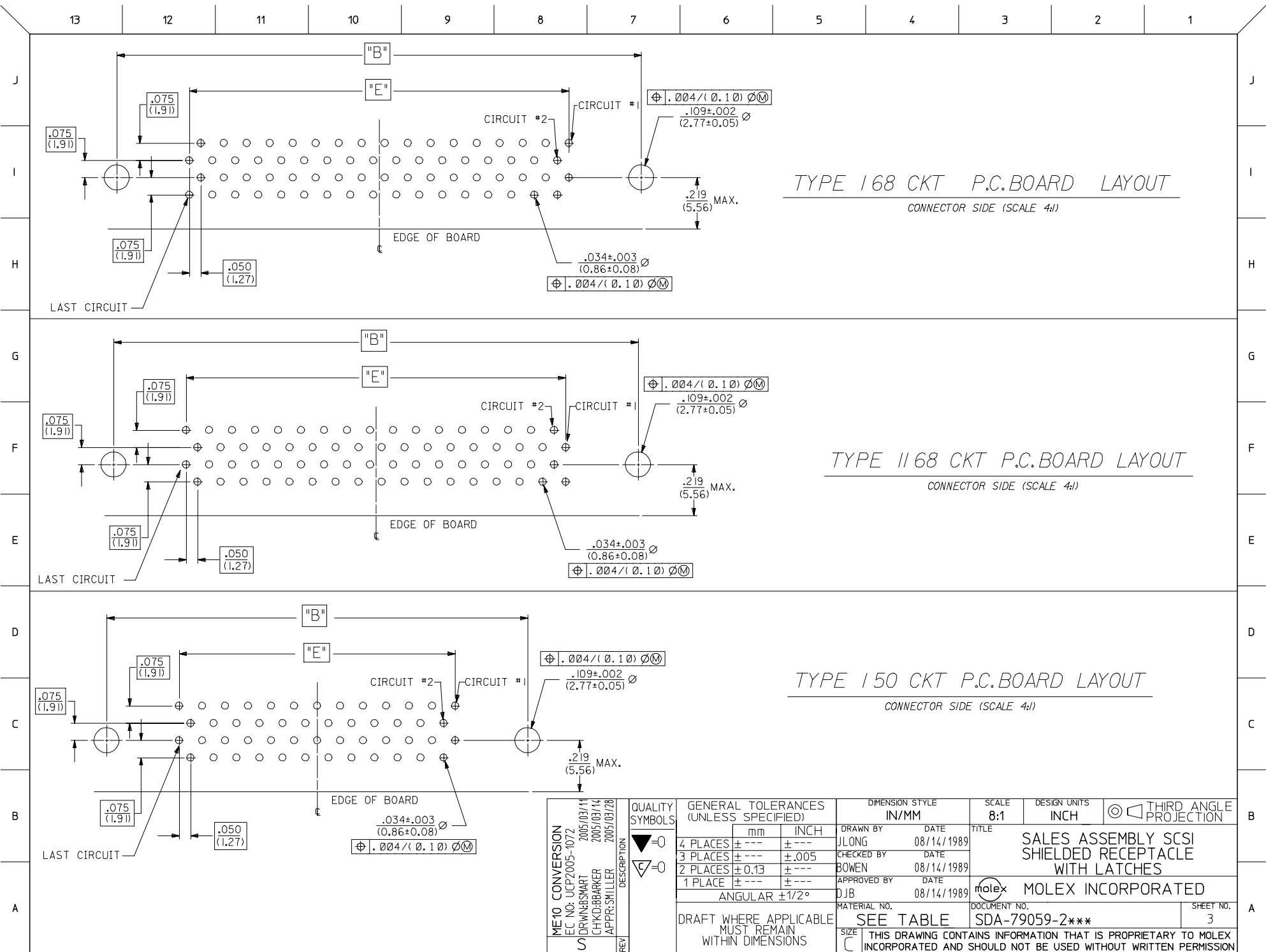
SECTION A-A
68 CIRCUIT TYPE I TAIL VERSION ONLY



PIN WINDOW DETAIL
SCALE 10:1

CHG TYPE I & II DESC EC NO: UCP2005-1072 5) DRW:BSMART 2005/03/11 CHK:DIBARKER 2005/03/14 APPR:SMILLER 2005/03/28 REV DESCRIPTION	QUALITY SYMBOLS	GENERAL TOLERANCES (UNLESS SPECIFIED)	DIMENSION STYLE IN/MM	SCALE 8:1	DESIGN UNITS INCH	THIRD ANGLE PROJECTION																						
		<table border="1"> <thead> <tr> <th></th> <th>mm</th> <th>INCH</th> </tr> </thead> <tbody> <tr> <td>4 PLACES</td> <td>± ---</td> <td>± ---</td> </tr> <tr> <td>3 PLACES</td> <td>± ---</td> <td>± .005</td> </tr> <tr> <td>2 PLACES</td> <td>± 0.13</td> <td>± ---</td> </tr> <tr> <td>1 PLACE</td> <td>± ---</td> <td>± ---</td> </tr> </tbody> </table>		mm	INCH	4 PLACES	± ---	± ---	3 PLACES	± ---	± .005	2 PLACES	± 0.13	± ---	1 PLACE	± ---	± ---	<table border="1"> <thead> <tr> <th>mm</th> <th>INCH</th> </tr> </thead> <tbody> <tr> <td>± .024 ± .002 (0,61±0,05)</td> <td>± .001 ± .001 (0,025±0,025)</td> </tr> <tr> <td>± .034 ± .003 (0,86±0,08)</td> <td>± .001 ± .001 (0,025±0,025)</td> </tr> </tbody> </table>	mm	INCH	± .024 ± .002 (0,61±0,05)	± .001 ± .001 (0,025±0,025)	± .034 ± .003 (0,86±0,08)	± .001 ± .001 (0,025±0,025)	DRAWN BY JLONG DATE 04/14/1989 CHECKED BY BOWEN DATE 04/14/1989 APPROVED BY DJB DATE 04/14/1989	TITLE	SALES ASSEMBLY SCSI SHIELDED RECEPTACLE WITH LATCHES	MOLEX INCORPORATED
		mm	INCH																									
	4 PLACES	± ---	± ---																									
	3 PLACES	± ---	± .005																									
2 PLACES	± 0.13	± ---																										
1 PLACE	± ---	± ---																										
mm	INCH																											
± .024 ± .002 (0,61±0,05)	± .001 ± .001 (0,025±0,025)																											
± .034 ± .003 (0,86±0,08)	± .001 ± .001 (0,025±0,025)																											
DRAFT WHERE APPLICABLE MUST REMAIN WITHIN DIMENSIONS	ANGULAR ±1/2°	MATERIAL NO.	DOCUMENT NO.	SHEET NO.	2																							
SIZE C	SEE TABLE	THIS DRAWING CONTAINS INFORMATION THAT IS PROPRIETARY TO MOLEX INCORPORATED AND SHOULD NOT BE USED WITHOUT WRITTEN PERMISSION		SDA-79059-2***																								

12 11 10 9 8 7 6 5 4 3 2 1



TYPE 168 CKT P.C.BOARD LAYOUT
CONNECTOR SIDE (SCALE 4:1)

TYPE 1168 CKT P.C.BOARD LAYOUT
CONNECTOR SIDE (SCALE 4:1)

TYPE 150 CKT P.C.BOARD LAYOUT
CONNECTOR SIDE (SCALE 4:1)

ME10 CONVERSION FC NO: UCP2005-1072 2005/03/14 DRAWN BY: CHIKIDBARKER 2005/03/14 APPR: SMILLER 2005/03/28	QUALITY SYMBOLS ▽=0 ▽=0	GENERAL TOLERANCES (UNLESS SPECIFIED)		DIMENSION STYLE		SCALE	DESIGN UNITS	THIRD ANGLE PROJECTION
		mm	INCH	IN/MM		8:1	INCH	
REV	DESCRIPTION	4 PLACES	± ---	± ---	DRAWN BY	DATE	TITLE	SALES ASSEMBLY SCSI SHIELDED RECEPTACLE WITH LATCHES
		3 PLACES	± ---	± .005	JLONG	08/14/1989		
		2 PLACES	± 0.13	± ---	CHECKED BY	DATE		
		1 PLACE	± ---	± ---	BOWEN	08/14/1989		
		ANGULAR ±1/2°		APPROVED BY	DATE	MOLEX INCORPORATED		
		DRAFT WHERE APPLICABLE MUST REMAIN WITHIN DIMENSIONS		DJB	08/14/1989	SDA-79059-2***		
				MATERIAL NO.		DOCUMENT NO.	SHEET NO.	
				SEE TABLE			3	
				THIS DRAWING CONTAINS INFORMATION THAT IS PROPRIETARY TO MOLEX INCORPORATED AND SHOULD NOT BE USED WITHOUT WRITTEN PERMISSION				

TYPE II TAIL PATTERN

ASSEMBLIES WITH .078 DIAMETER END HOLES IN HOUSING AND #2-56 GND CLIPS

EDP/ITEM NUMBER	CKT. SIZE	HOUSING HOLE DIA.	DIM. T GND CLIP THREAD	DIM. A		DIM. B		DIM. C		DIM. D		DIM. E		DIM. F		DIM. P		RECMD PCB		
				INCH	MM	INCH	MM	INCH	MM	INCH	MM	INCH	MM	INCH	MM	INCH	MM	INCH	MM	INCH
015-87-6023	68		.078	2-56	2.515	63.88	2.280	57.91	1.816	46.13	2.115	53.72	1.650	41.91	.105	2.67	.125	3.18	.062	1.57
X	68		.078	2-56	2.515	63.88	2.280	57.91	1.816	46.13	2.115	53.72	1.650	41.91	.136	3.45	.125	3.18	.093	2.36

ASSEMBLIES WITH .105 DIAMETER END HOLES IN HOUSING AND #4-40 AND CUSTOM GND CLIPS

EDP/ITEM NUMBER	CKT. SIZE	HOUSING HOLE DIA.	DIM. T GND CLIP THREAD	DIM. A		DIM. B		DIM. C		DIM. D		DIM. E		DIM. F		DIM. P		RECMD PCB		
				INCH	MM	INCH	MM	INCH	MM	INCH	MM	INCH	MM	INCH	MM	INCH	MM	INCH	MM	INCH
015-87-6020	68		.105	4-40	2.515	63.88	2.280	57.91	1.816	46.13	2.115	53.72	1.650	41.91	.105	2.67	.125	3.18	.062	1.57
X	68		.105	4-40	2.515	63.88	2.280	57.91	1.816	46.13	2.115	53.72	1.650	41.91	.136	3.45	.125	3.18	.093	2.36

X- NOT TOOLED

TYPE I TAIL PATTERN

ASSEMBLIES WITH .078 DIAMETER END HOLES IN HOUSING AND #2-56 GND CLIPS

EDP/ITEM NUMBER	CKT. SIZE	HOUSING HOLE DIA.	DIM. T GND CLIP THREAD	DIM. A		DIM. B		DIM. C		DIM. D		DIM. E		DIM. F		DIM. P		RECMD PCB		
				INCH	MM	INCH	MM	INCH	MM	INCH	MM	INCH	MM	INCH	MM	INCH	MM	INCH	MM	INCH
79059-2900	68		.078	2-56	2.515	63.88	2.280	57.91	1.816	46.13	2.115	53.72	1.650	41.91	.105	2.67	.125	3.18	.062	1.57
X	50		.078	2-56	2.065	52.54	1.830	46.48	1.366	34.69	1.665	42.29	1.200	30.48	.136	3.45	.125	3.18	.093	2.36
015-87-6010	50		.078	2-56	2.065	52.54	1.830	46.48	1.366	34.69	1.665	42.29	1.200	30.48	.105	2.67	.125	3.18	.062	1.57

ASSEMBLIES WITH .105 DIAMETER END HOLES IN HOUSING AND #4-40 AND CUSTOM GND CLIPS

EDP/ITEM NUMBER	CKT. SIZE	HOUSING HOLE DIA.	DIM. T GND CLIP THREAD	DIM. A		DIM. B		DIM. C		DIM. D		DIM. E		DIM. F		DIM. P		RECMD PCB		
				INCH	MM	INCH	MM	INCH	MM	INCH	MM	INCH	MM	INCH	MM	INCH	MM	INCH	MM	INCH
X	50		.105	4-40	2.065	52.54	1.830	46.48	1.366	34.69	1.665	42.29	1.200	30.48	.136	3.45	.125	3.18	.093	2.36
015-87-6050	50		.105	4-40	2.065	52.54	1.830	46.48	1.366	34.69	1.665	42.29	1.200	30.48	.105	2.67	.125	3.18	.062	1.57

X- NOT TOOLED

NOTE: ASSEMBLIES LISTED ON THIS SHEET HAVE A SMALLER HOLE DIAMETER FOR INSERTION OF SCREWLOCKS USING A POWER DRIVER.

REMOVE OBSOLETE #S FC NO: UCP2006-2901 DRAWN BY: BARRA 2006/06/12 CHK'D BY: BARKER 2006/06/12 APPR: SMILLER 2006/06/14 REV:	QUALITY SYMBOLS 	GENERAL TOLERANCES (UNLESS SPECIFIED)		DIMENSION STYLE		SCALE	DESIGN UNITS	THIRD ANGLE PROJECTION		
				IN/MM		---	INCH			
		4 PLACES ± --- ± ---		DRAWN BY DATE		TITLE				
		3 PLACES ± --- ± ---		DCB 08/15/1991		SALES ASSEMBLY SCSI SHIELDED RECEPTACLE WITH LATCHES				
2 PLACES ± --- ± ---		CHECKED BY DATE		MATERIAL NO. DOCUMENT NO. SHEET NO.						
1 PLACE ± --- ± ---		CAB 08/15/1991		APPROVED BY DATE		SDA-79059-2*** 4				
ANGULAR ±1/2°		CAB 08/15/1991		THIS DRAWING CONTAINS INFORMATION THAT IS PROPRIETARY TO MOLEX INCORPORATED AND SHOULD NOT BE USED WITHOUT WRITTEN PERMISSION						
DRAFT WHERE APPLICABLE MUST REMAIN WITHIN DIMENSIONS		SEE TABLE								

TYPE II TAIL PATTERN

ASSEMBLIES WITH .120 DIAMETER END HOLES IN HOUSING AND #4-40 GND CLIPS

J	EDP/ITEM NUMBER	CKT. SIZE	HOUSING HOLE DIA.	DIM. T GND CLIP THREAD	DIM. A		DIM. B		DIM. C		DIM. D		DIM. E		DIM. F		DIM. P		RECMD PCB	
					INCH	MM	INCH	MM	INCH	MM	INCH	MM	INCH	MM	INCH	MM	INCH	MM	INCH	MM
	79059-2702	68	.120	4-40	2.515	63.88	2.280	57.91	1.816	46.13	2.115	53.72	1.650	41.91	.105	2.67	.125	3.18	.062	1.57
X		68	.120	4-40	2.515	63.88	2.280	57.91	1.816	46.13	2.115	53.72	1.650	41.91	.136	3.45	.125	3.18	.093	2.36

ASSEMBLIES WITH .120 DIAMETER END HOLES IN HOUSING AND #2-56 AND CUSTOM GND CLIPS

X		68	.120	2-56	2.515	63.88	2.280	57.91	1.816	46.13	2.115	53.72	1.650	41.91	.105	2.67	.125	3.18	.062	1.57
X		68	.120	2-56	2.515	63.88	2.280	57.91	1.816	46.13	2.115	53.72	1.650	41.91	.136	3.45	.125	3.18	.093	2.36

X - NOT TOOLED

TYPE I TAIL PATTERN

ASSEMBLIES WITH .120 DIAMETER END HOLES IN HOUSING AND #4-40 GND CLIPS

G	EDP/ITEM NUMBER	CKT. SIZE	HOUSING HOLE DIA.	DIM. T GND CLIP THREAD	DIM. A		DIM. B		DIM. C		DIM. D		DIM. E		DIM. F		DIM. P		RECMD PCB	
					INCH	MM	INCH	MM	INCH	MM	INCH	MM	INCH	MM	INCH	MM	INCH	MM	INCH	MM
	79059-2701	50	.120	4-40	2.065	52.54	1.830	46.48	1.366	34.69	1.665	42.29	1.200	30.48	.105	2.67	.125	3.18	.062	1.57
X		50	.120	4-40	2.065	52.54	1.830	46.48	1.366	34.69	1.665	42.29	1.200	30.48	.136	3.45	.125	3.18	.093	2.36

ASSEMBLIES WITH .120 DIAMETER END HOLES IN HOUSING AND #2-56 AND CUSTOM GND CLIPS

X		50	.120	2-56	2.065	52.54	1.830	46.48	1.366	34.69	1.665	42.29	1.200	30.48	.105	2.67	.125	3.18	.062	1.57
X		50	.120	2-56	2.065	52.54	1.830	46.48	1.366	34.69	1.665	42.29	1.200	30.48	.136	3.45	.125	3.18	.093	2.36

X - NOT TOOLED

NOTE: ASSEMBLIES LISTED ON THIS SHEET HAVE A LARGER HOLE DIAMETER FOR INSERTION OF SCREWLOCKS USING A MANUAL DRIVER.

REMOVE OBSOLETED #S FC NO. UCP2006-2901 DRAWN BY: BARRA 2006/06/12 CHKD: BARKER 2006/06/12 APPR: SMILLER 2006/06/14	QUALITY SYMBOLS ▽=0 ▽=0	GENERAL TOLERANCES (UNLESS SPECIFIED)		DIMENSION STYLE IN/MM		SCALE ---	DESIGN UNITS INCH	THIRD ANGLE PROJECTION		
		mm	INCH	DRAWN BY	DATE	TITLE				
		4 PLACES ± ---	± ---	JLONG	01/28/1997	SALES ASSEMBLY SCSI SHIELDED RECEPTACLE WITH LATCHES				
		3 PLACES ± ---	± ---	CHECKED BY	DATE	MATERIAL NO. SDA-79059-2***				
2 PLACES ± ---	± ---	JLONG	01/28/1997	DOCUMENT NO.						
1 PLACE ± ---	± ---	APPROVED BY	DATE	SHEET NO. 5						
ANGULAR ±1/2°		DJB	01/28/1997	THIS DRAWING CONTAINS INFORMATION THAT IS PROPRIETARY TO MOLEX INCORPORATED AND SHOULD NOT BE USED WITHOUT WRITTEN PERMISSION						
DRAFT WHERE APPLICABLE MUST REMAIN WITHIN DIMENSIONS		SEE TABLE		SIZE C						