



Chipsmall Limited consists of a professional team with an average of over 10 year of expertise in the distribution of electronic components. Based in Hongkong, we have already established firm and mutual-benefit business relationships with customers from,Europe,America and south Asia,supplying obsolete and hard-to-find components to meet their specific needs.

With the principle of “Quality Parts,Customers Priority,Honest Operation,and Considerate Service”,our business mainly focus on the distribution of electronic components. Line cards we deal with include Microchip,ALPS,ROHM,Xilinx,Pulse,ON,Everlight and Freescale. Main products comprise IC,Modules,Potentiometer,IC Socket,Relay,Connector.Our parts cover such applications as commercial,industrial, and automotives areas.

We are looking forward to setting up business relationship with you and hope to provide you with the best service and solution. Let us make a better world for our industry!



Contact us

Tel: +86-755-8981 8866 Fax: +86-755-8427 6832

Email & Skype: info@chipsmall.com Web: www.chipsmall.com

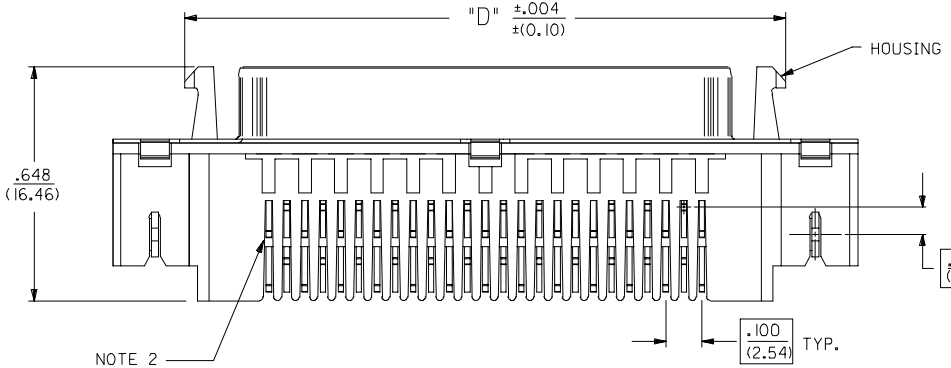
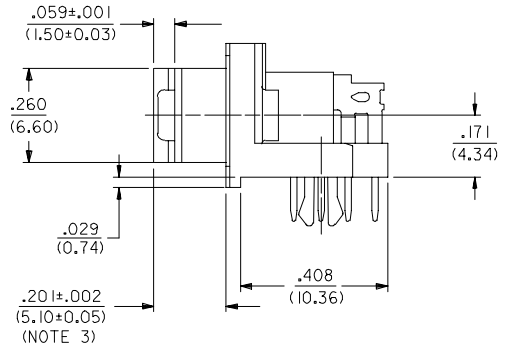
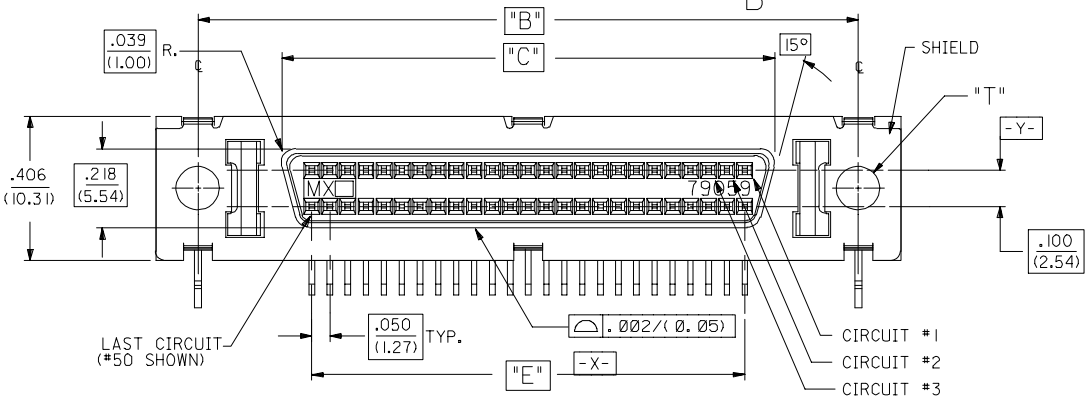
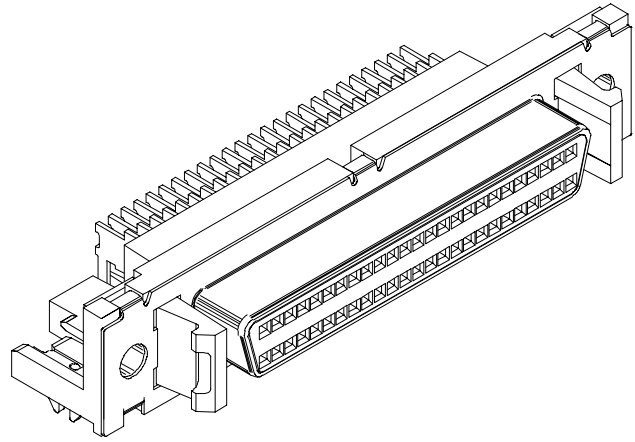
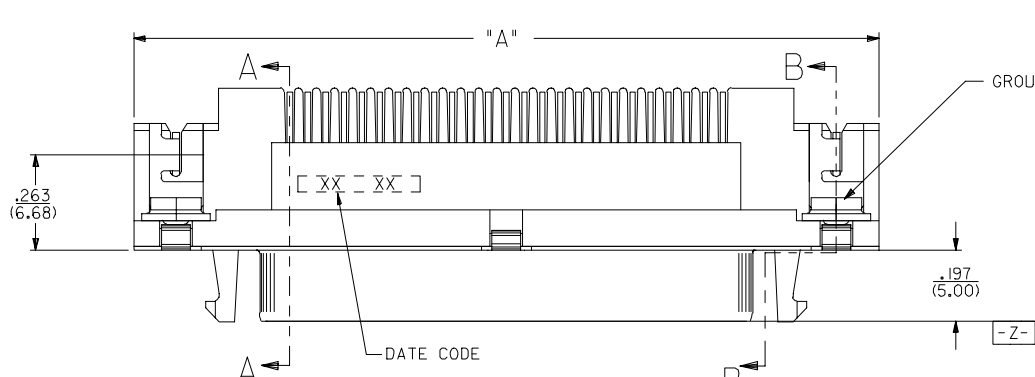
Address: A1208, Overseas Decoration Building, #122 Zhenhua RD., Futian, Shenzhen, China



13 12 11 10 9 8 7 6 5 4 3 2 1

J
I
H
G
F
E
D
C
B
A

J
I
H
G
F
E
D
C
B
A



- NOTES:**
- SEE SHEET 4 & 5 FOR CHARTED DIMENSIONS AND PART NUMBERS.
 - FOR FIXED TAIL / PCB PATTERN AT LAST CIRCUIT POSITIONS REFER TO SECTION A-A ON SHEET 2 AND PCB LAYOUTS ON SHEET 3.
 - THIS DIMENSION TO MEET SPECIFICATIONS AFTER SHIELD IS FULLY SEATED TO HOUSING AS A RESULT OF A BRACKET OR PANEL.
 - REFER TO PS-79058 PRODUCT SPEC. FOR ELECTRICAL, MECHANICAL AND ENVIRONMENTAL SPECIFICATIONS.
 - MATERIAL:**
RECEPTACLE HOUSING: GLASS FILLED LIQUID CRYSTAL POLYMER; COLOR-BLACK; UL 94V-0
CONTACTS: PHOSPHOR BRONZE
SHIELD: STEEL WITH BRIGHT NICKEL OVER COPPER FLASH (OPTIONAL)
GROUNDING CLIP: BRASS WITH TIN OVER NICKEL PLATE
 - PACKAGING:**
PARTS PACKAGED IN TUBES PER PK-70873-0207

5	S
4	S
3	S
2	S
1	S
SHT. REV.	

TERMINAL FINISH:
SELECTIVE GOLD: THICKNESS= 30 MICROINCHES/(0.76 MICROMETERS) MINIMUM.
SELECTIVE TIN: THICKNESS= 75 MICROINCHES/(1.90 MICROMETERS) MINIMUM.
NICKEL UNDERPLATE OVERALL.

NOTE FOR LEAD FREE CONVERSION:
THE PRIMARY SHIPPING CARTON WILL BE LABELED "COMPLIANT TO ROHS DIRECTIVE 2002/95/EC AND ELV ANNEX II OF DIRECTIVE 2000/53/EC". CARTONS WITHOUT THIS LABEL MAY CONTAIN PRODUCT WITH LEAD.

REV	DESCRIPTION	QUALITY SYMBOLS
1	UPDATE REV LEVEL	□=0
2	FC NO: UCP2005-1072	▽=0
3	DRWNSMART 2005/03/11	
4	CHKD:BBARKER 2005/03/14	
5	APPR:SMILLER 2005/03/28	

GENERAL TOLERANCES (UNLESS SPECIFIED)	
4 PLACES ± ---	± .005
3 PLACES ± ---	± .013
2 PLACES ± ---	± ---
1 PLACE ± ---	± ---
ANGULAR ±1/2°	

DIMENSION STYLE	
IN/MM	
DRAWN BY	DATE
JLONG	03/27/1989
CHECKED BY	DATE
BOWEN	03/27/1989
APPROVED BY	DATE
DJB	03/27/1989

SCALE	DESIGN UNITS	THIRD ANGLE PROJECTION
4:1	INCH	☉ □
TITLE		
SCSI SHIELDED RECEPTACLE ASSEMBLY WITH LATCHES		
MATERIAL NO.		
DOCUMENT NO.		
SHEET NO.		

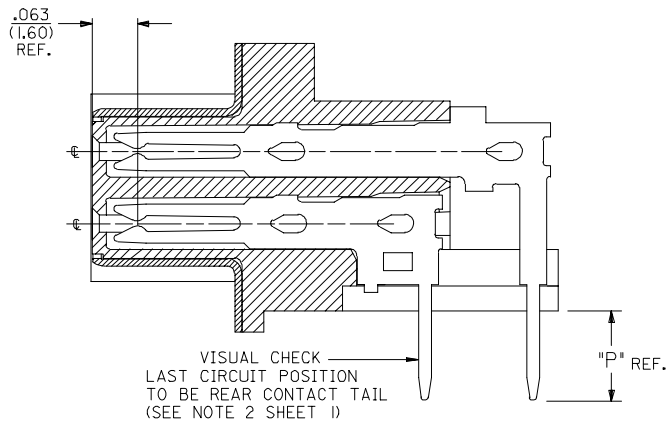
MOLEX MOLEX INCORPORATED	
SEE TABLE	SDA-79059-2***
THIS DRAWING CONTAINS INFORMATION THAT IS PROPRIETARY TO MOLEX INCORPORATED AND SHOULD NOT BE USED WITHOUT WRITTEN PERMISSION	

12 11 10 9 8 7 6 5 4 3 2 1

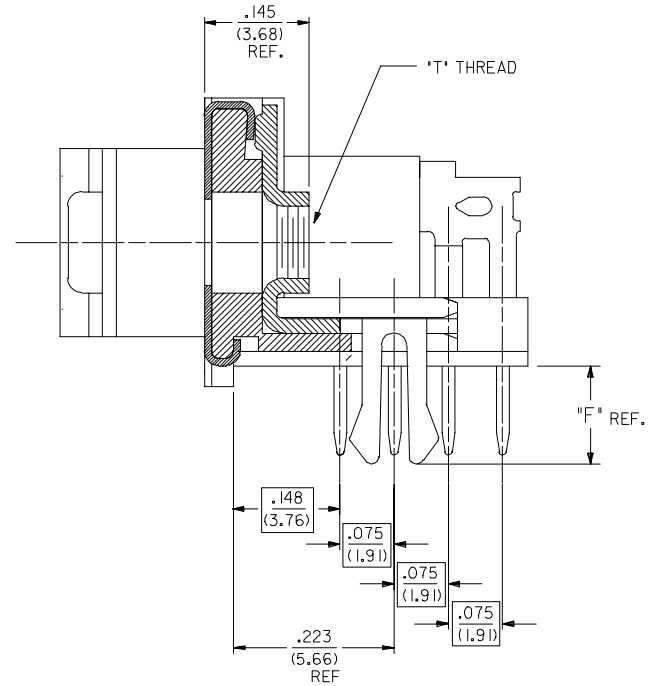
13 12 11 10 9 8 7 6 5 4 3 2 1

J
I
H
G
F
E
D
C
B
A

J
I
H
G
F
E
D
C
B
A



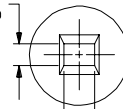
SECTION A-A
68 CIRCUIT TYPE II TAIL VERSION
50 CIRCUIT



SECTION B-B

⌀ .006 / (0.15) M Z X Y

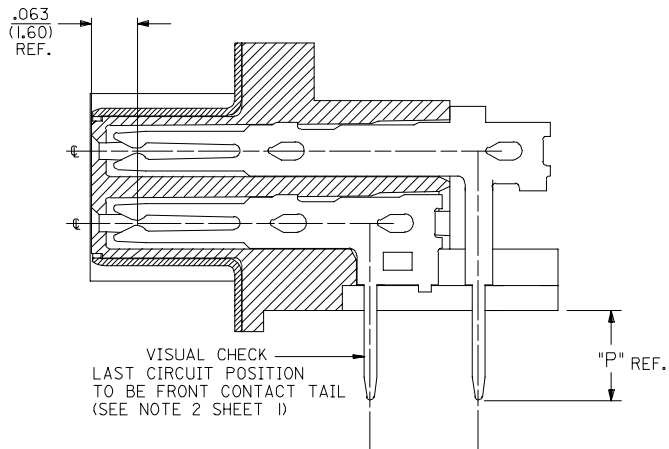
.024 ± .002
(0,61 ± 0,05)



⌀ .006 / (0.15) M Z Y X

.034 ± .003
(0,86 ± 0,08)

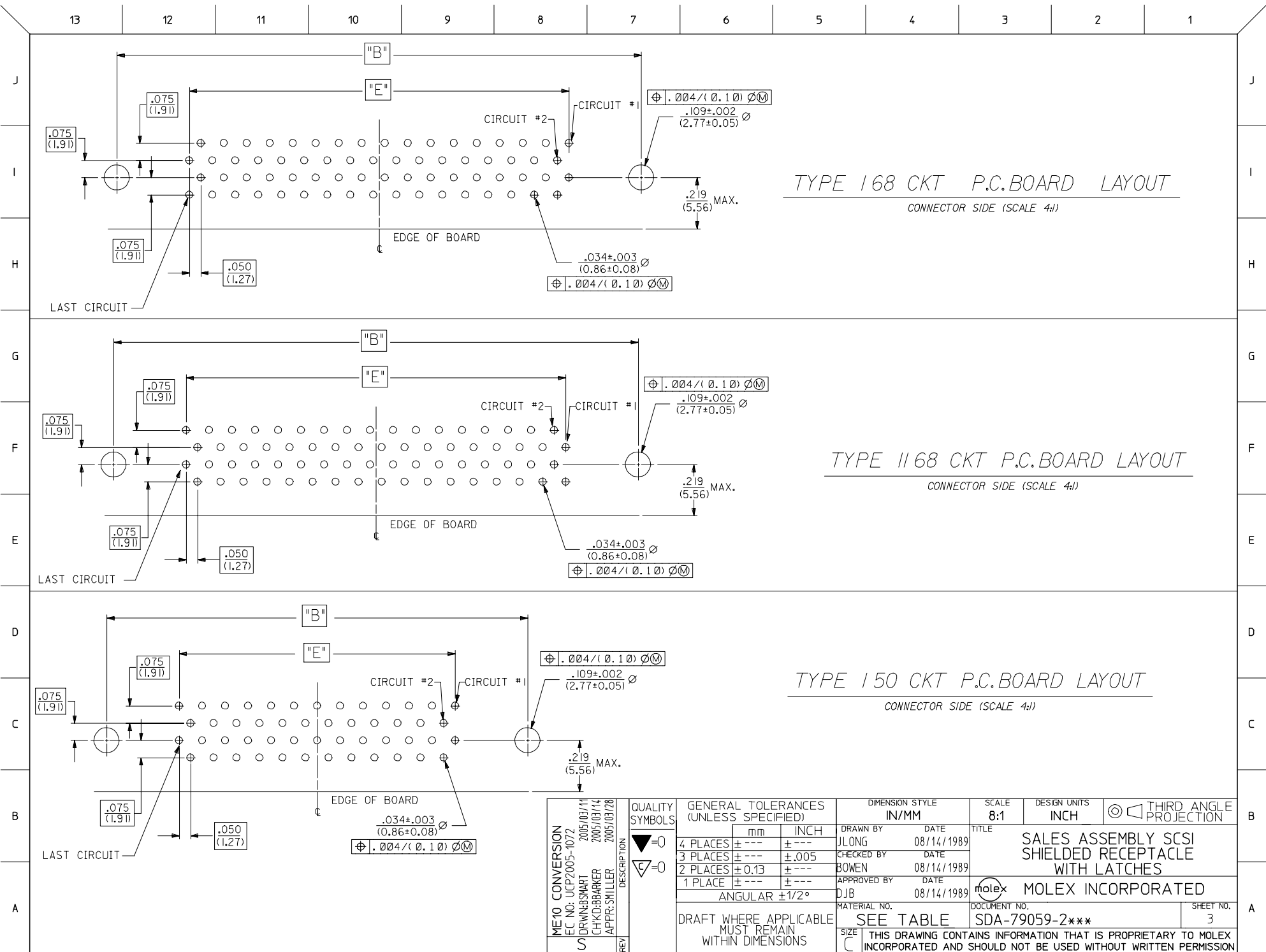
PIN WINDOW DETAIL
SCALE 10:1



SECTION A-A
68 CIRCUIT TYPE I TAIL VERSION ONLY

CHG TYPE I & II DESC EC NO: UCP2005-1072 DRWNSMART 2005/03/11 CHKD:BBARKER 2005/03/14 APPR:SMILLER 2005/03/28	QUALITY SYMBOLS 	GENERAL TOLERANCES (UNLESS SPECIFIED)		DIMENSION STYLE IN/MM	SCALE 8:1	DESIGN UNITS INCH	THIRD ANGLE PROJECTION		
		4 PLACES ± --- ± ---	mm INCH	DRAWN BY JLONG	DATE 04/14/1989	TITLE SALES ASSEMBLY SCS1 SHIELDED RECEPTACLE WITH LATCHES			
		3 PLACES ± --- ± .005		CHECKED BY BOWEN	DATE 04/14/1989	MOLEX INCORPORATED			
		2 PLACES ± 0.13 ± --- 1 PLACE ± --- ± --- ANGULAR ± 1/2°		APPROVED BY DJB	DATE 04/14/1989	MATERIAL NO. SEE TABLE	DOCUMENT NO. SDA-79059-2***	SHEET NO. 2	
DRAFT WHERE APPLICABLE MUST REMAIN WITHIN DIMENSIONS		SIZE 		THIS DRAWING CONTAINS INFORMATION THAT IS PROPRIETARY TO MOLEX INCORPORATED AND SHOULD NOT BE USED WITHOUT WRITTEN PERMISSION					

12 11 10 9 8 7 6 5 4 3 2 1



TYPE 168 CKT P.C.BOARD LAYOUT
CONNECTOR SIDE (SCALE 4:1)

TYPE 1168 CKT P.C.BOARD LAYOUT
CONNECTOR SIDE (SCALE 4:1)

TYPE 150 CKT P.C.BOARD LAYOUT
CONNECTOR SIDE (SCALE 4:1)

ME10 CONVERSION FC NO: UCP2005-1072 2005/03/14 DRAWN BY: CHIKIDBARKER 2005/03/14 APPR: SMILLER 2005/03/28	QUALITY SYMBOLS ▽=0 ▽=0	GENERAL TOLERANCES (UNLESS SPECIFIED)	DIMENSION STYLE IN/MM	SCALE 8:1	DESIGN UNITS INCH	THIRD ANGLE PROJECTION
REV	DESCRIPTION	mm	INCH	DRAWN BY JLONG	DATE 08/14/1989	TITLE SALES ASSEMBLY SCSI SHIELDED RECEPTACLE WITH LATCHES
		4 PLACES ± --- ± ---	± .005	CHECKED BY BOWEN	DATE 08/14/1989	MOLEX INCORPORATED
		3 PLACES ± --- ± ---	± .013	APPROVED BY DJB	DATE 08/14/1989	
		2 PLACES ± --- ± ---	± ---	MATERIAL NO.	DOCUMENT NO.	SHEET NO. 3
		1 PLACE ± --- ± ---	± ---	SEE TABLE		
		ANGULAR ±1/2°		THIS DRAWING CONTAINS INFORMATION THAT IS PROPRIETARY TO MOLEX INCORPORATED AND SHOULD NOT BE USED WITHOUT WRITTEN PERMISSION		

TYPE II TAIL PATTERN

ASSEMBLIES WITH .078 DIAMETER END HOLES IN HOUSING AND #2-56 GND CLIPS

EDP/ITEM NUMBER	CKT. SIZE	HOUSING HOLE DIA.	DIM. T GND CLIP THREAD	DIM. A		DIM. B		DIM. C		DIM. D		DIM. E		DIM. F		DIM. P		RECMD PCB	
				INCH	MM	INCH	MM	INCH	MM	INCH	MM	INCH	MM	INCH	MM	INCH	MM	INCH	MM
015-87-6023	68	.078	2-56	2.515	63.88	2.280	57.91	1.816	46.13	2.115	53.72	1.650	41.91	.105	2.67	.125	3.18	.062	1.57
015-87-6024	68	.078	2-56	2.515	63.88	2.280	57.91	1.816	46.13	2.115	53.72	1.650	41.91	.136	3.45	.125	3.18	.093	2.36

ASSEMBLIES WITH .105 DIAMETER END HOLES IN HOUSING AND #4-40 AND CUSTOM GND CLIPS

015-87-6020	68	.105	4-40	2.515	63.88	2.280	57.91	1.816	46.13	2.115	53.72	1.650	41.91	.105	2.67	.125	3.18	.062	1.57
015-87-6021	68	.105	4-40	2.515	63.88	2.280	57.91	1.816	46.13	2.115	53.72	1.650	41.91	.136	3.45	.125	3.18	.093	2.36

TYPE I TAIL PATTERN

ASSEMBLIES WITH .078 DIAMETER END HOLES IN HOUSING AND #2-56 GND CLIPS

EDP/ITEM NUMBER	CKT. SIZE	HOUSING HOLE DIA.	DIM. T GND CLIP THREAD	DIM. A		DIM. B		DIM. C		DIM. D		DIM. E		DIM. F		DIM. P		RECMD PCB	
				INCH	MM	INCH	MM	INCH	MM	INCH	MM	INCH	MM	INCH	MM	INCH	MM	INCH	MM
79059-2900	68	.078	2-56	2.515	63.88	2.280	57.91	1.816	46.13	2.115	53.72	1.650	41.91	.105	2.67	.125	3.18	.062	1.57
015-87-6011	50	.078	2-56	2.065	52.54	1.830	46.48	1.366	34.69	1.665	42.29	1.200	30.48	.136	3.45	.125	3.18	.093	2.36
015-87-6010	50	.078	2-56	2.065	52.54	1.830	46.48	1.366	34.69	1.665	42.29	1.200	30.48	.105	2.67	.125	3.18	.062	1.57

ASSEMBLIES WITH .105 DIAMETER END HOLES IN HOUSING AND #4-40 AND CUSTOM GND CLIPS

015-87-6051	50	.105	4-40	2.065	52.54	1.830	46.48	1.366	34.69	1.665	42.29	1.200	30.48	.136	3.45	.125	3.18	.093	2.36
015-87-6050	50	.105	4-40	2.065	52.54	1.830	46.48	1.366	34.69	1.665	42.29	1.200	30.48	.105	2.67	.125	3.18	.062	1.57

NOTE: ASSEMBLIES LISTED ON THIS SHEET HAVE A SMALLER HOLE DIAMETER FOR INSERTION OF SCREWLOCKS USING A POWER DRIVER.

CHG TYPE I & II DESC EC NO: UCP2005-1072 05/03/11 DRW:BSMART CHK:DBARKER 2005/03/14 APPR:SMILLER 2005/03/28	QUALITY SYMBOLS 	GENERAL TOLERANCES (UNLESS SPECIFIED)		DIMENSION STYLE IN/MM		SCALE ---	DESIGN UNITS INCH	THIRD ANGLE PROJECTION			
		4 PLACES ± --- ± ---	DRAWN BY DCB	DATE 08/15/1991		TITLE SALES ASSEMBLY SCSI SHIELDED RECEPTACLE WITH LATCHES					
		3 PLACES ± --- ± ---	CHECKED BY CAB		DATE 08/15/1991		MOLEX INCORPORATED				
		2 PLACES ± --- ± ---	APPROVED BY CAB		DATE 08/15/1991		MATERIAL NO. SEE TABLE		DOCUMENT NO. SDA-79059-2***		SHEET NO. 4
1 PLACE ± --- ± ---		ANGULAR ±1/2°		DRAFT WHERE APPLICABLE MUST REMAIN WITHIN DIMENSIONS		THIS DRAWING CONTAINS INFORMATION THAT IS PROPRIETARY TO MOLEX INCORPORATED AND SHOULD NOT BE USED WITHOUT WRITTEN PERMISSION					

TYPE II TAIL PATTERN

ASSEMBLIES WITH .120 DIAMETER END HOLES IN HOUSING AND #4-40 GND CLIPS

EDP/ITEM NUMBER	CKT. SIZE	HOUSING HOLE DIA.	DIM. T GND CLIP THREAD	DIM. A		DIM. B		DIM. C		DIM. D		DIM. E		DIM. F		DIM. P		REC'D PCB	
				INCH	MM	INCH	MM	INCH	MM	INCH	MM	INCH	MM	INCH	MM	INCH	MM	INCH	MM
79059-2702	68	.120	4-40	2.515	63.88	2.280	57.91	1.816	46.13	2.115	53.72	1.650	41.91	.105	2.67	.125	3.18	.062	1.57
79059-2708	68	.120	4-40	2.515	63.88	2.280	57.91	1.816	46.13	2.115	53.72	1.650	41.91	.136	3.45	.125	3.18	.093	2.36

ASSEMBLIES WITH .120 DIAMETER END HOLES IN HOUSING AND #2-56 AND CUSTOM GND CLIPS

79059-2721	68	.120	2-56	2.515	63.88	2.280	57.91	1.816	46.13	2.115	53.72	1.650	41.91	.105	2.67	.125	3.18	.062	1.57
79059-2727	68	.120	2-56	2.515	63.88	2.280	57.91	1.816	46.13	2.115	53.72	1.650	41.91	.136	3.45	.125	3.18	.093	2.36

TYPE I TAIL PATTERN

ASSEMBLIES WITH .120 DIAMETER END HOLES IN HOUSING AND #4-40 GND CLIPS

EDP/ITEM NUMBER	CKT. SIZE	HOUSING HOLE DIA.	DIM. T GND CLIP THREAD	DIM. A		DIM. B		DIM. C		DIM. D		DIM. E		DIM. F		DIM. P		REC'D PCB	
				INCH	MM	INCH	MM	INCH	MM	INCH	MM	INCH	MM	INCH	MM	INCH	MM	INCH	MM
79059-2701	50	.120	4-40	2.065	52.54	1.830	46.48	1.366	34.69	1.665	42.29	1.200	30.48	.105	2.67	.125	3.18	.062	1.57
79059-2707	50	.120	4-40	2.065	52.54	1.830	46.48	1.366	34.69	1.665	42.29	1.200	30.48	.136	3.45	.125	3.18	.093	2.36

ASSEMBLIES WITH .120 DIAMETER END HOLES IN HOUSING AND #2-56 AND CUSTOM GND CLIPS

79059-2720	50	.120	2-56	2.065	52.54	1.830	46.48	1.366	34.69	1.665	42.29	1.200	30.48	.105	2.67	.125	3.18	.062	1.57
79059-2726	50	.120	2-56	2.065	52.54	1.830	46.48	1.366	34.69	1.665	42.29	1.200	30.48	.136	3.45	.125	3.18	.093	2.36

NOTE: ASSEMBLIES LISTED ON THIS SHEET HAVE A LARGER HOLE DIAMETER FOR INSERTION OF SCREWLOCKS USING A MANUAL DRIVER.

CHG TYPE I TO II EC NO: UCP2005-1072 2005/03/11 DRW:BSWART CHK:DIBARKER 2005/03/14 APPR:SMILLER 2005/03/28	QUALITY SYMBOLS 	GENERAL TOLERANCES (UNLESS SPECIFIED)		DIMENSION STYLE IN/MM		SCALE ---	DESIGN UNITS INCH	THIRD ANGLE PROJECTION	
		4 PLACES ± --- ± ---	mm INCH	DRAWN BY JLONG	DATE 01/28/1997	TITLE SALES ASSEMBLY SCSI SHIELDED RECEPTACLE WITH LATCHES			
		3 PLACES ± --- ± ---		CHECKED BY JLONG	DATE 01/28/1997	MOLEX INCORPORATED			
		2 PLACES ± --- ± ---		APPROVED BY DJB	DATE 01/28/1997	MATERIAL NO. SEE TABLE	DOCUMENT NO. SDA-79059-2***	SHEET NO. 5	
		1 PLACE ± --- ± ---		ANGULAR ±1/2°		THIS DRAWING CONTAINS INFORMATION THAT IS PROPRIETARY TO MOLEX INCORPORATED AND SHOULD NOT BE USED WITHOUT WRITTEN PERMISSION			