



Chipsmall Limited consists of a professional team with an average of over 10 year of expertise in the distribution of electronic components. Based in Hongkong, we have already established firm and mutual-benefit business relationships with customers from,Europe,America and south Asia,supplying obsolete and hard-to-find components to meet their specific needs.

With the principle of “Quality Parts,Customers Priority,Honest Operation,and Considerate Service”,our business mainly focus on the distribution of electronic components. Line cards we deal with include Microchip,ALPS,ROHM,Xilinx,Pulse,ON,Everlight and Freescale. Main products comprise IC,Modules,Potentiometer,IC Socket,Relay,Connector.Our parts cover such applications as commercial,industrial, and automotives areas.

We are looking forward to setting up business relationship with you and hope to provide you with the best service and solution. Let us make a better world for our industry!



Contact us

Tel: +86-755-8981 8866 Fax: +86-755-8427 6832

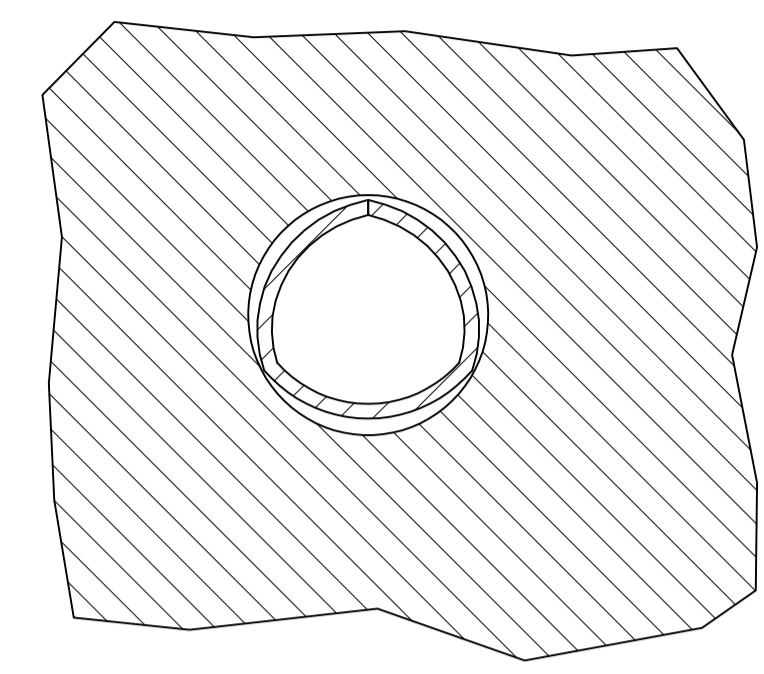
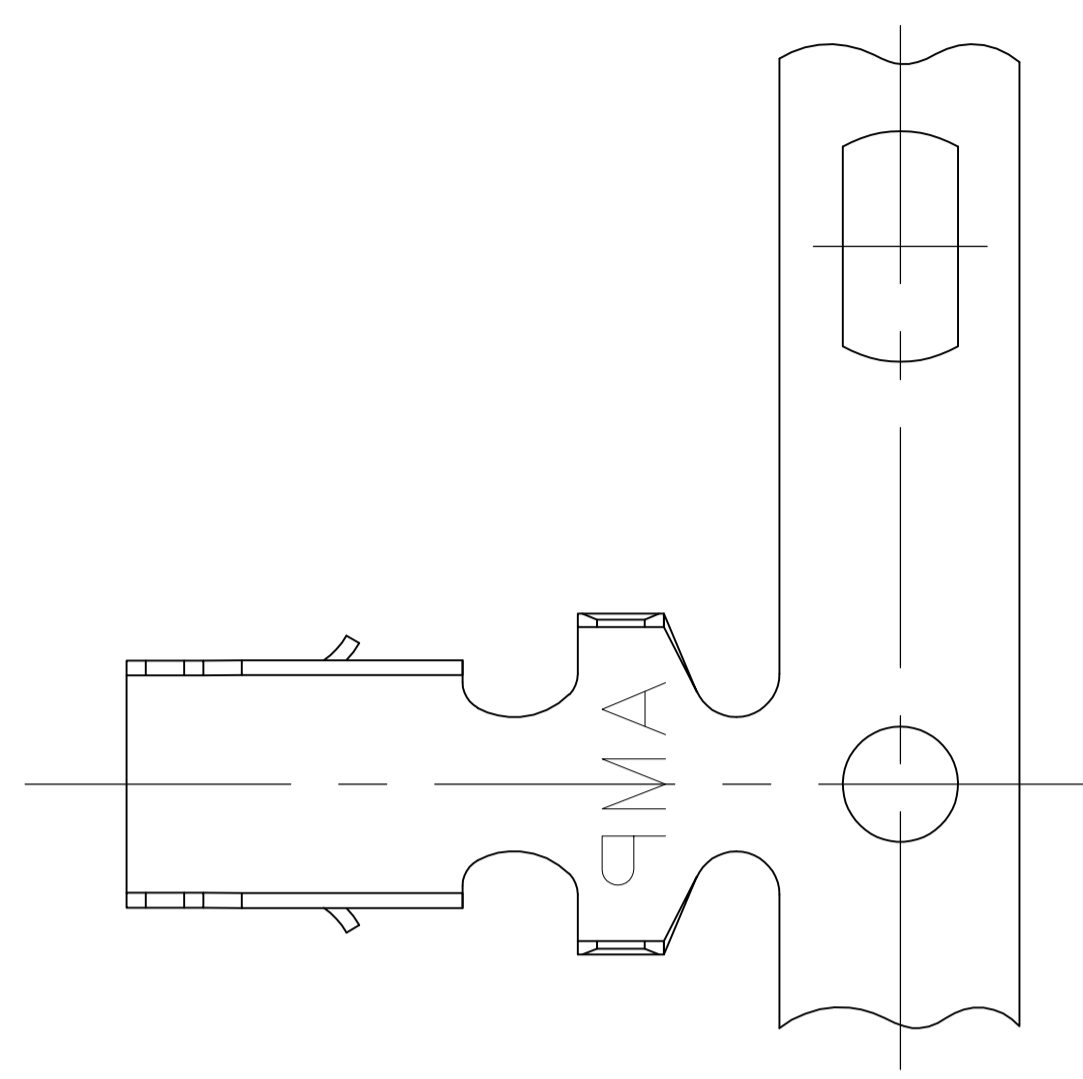
Email & Skype: info@chipsmall.com Web: www.chipsmall.com

Address: A1208, Overseas Decoration Building, #122 Zhenhua RD., Futian, Shenzhen, China

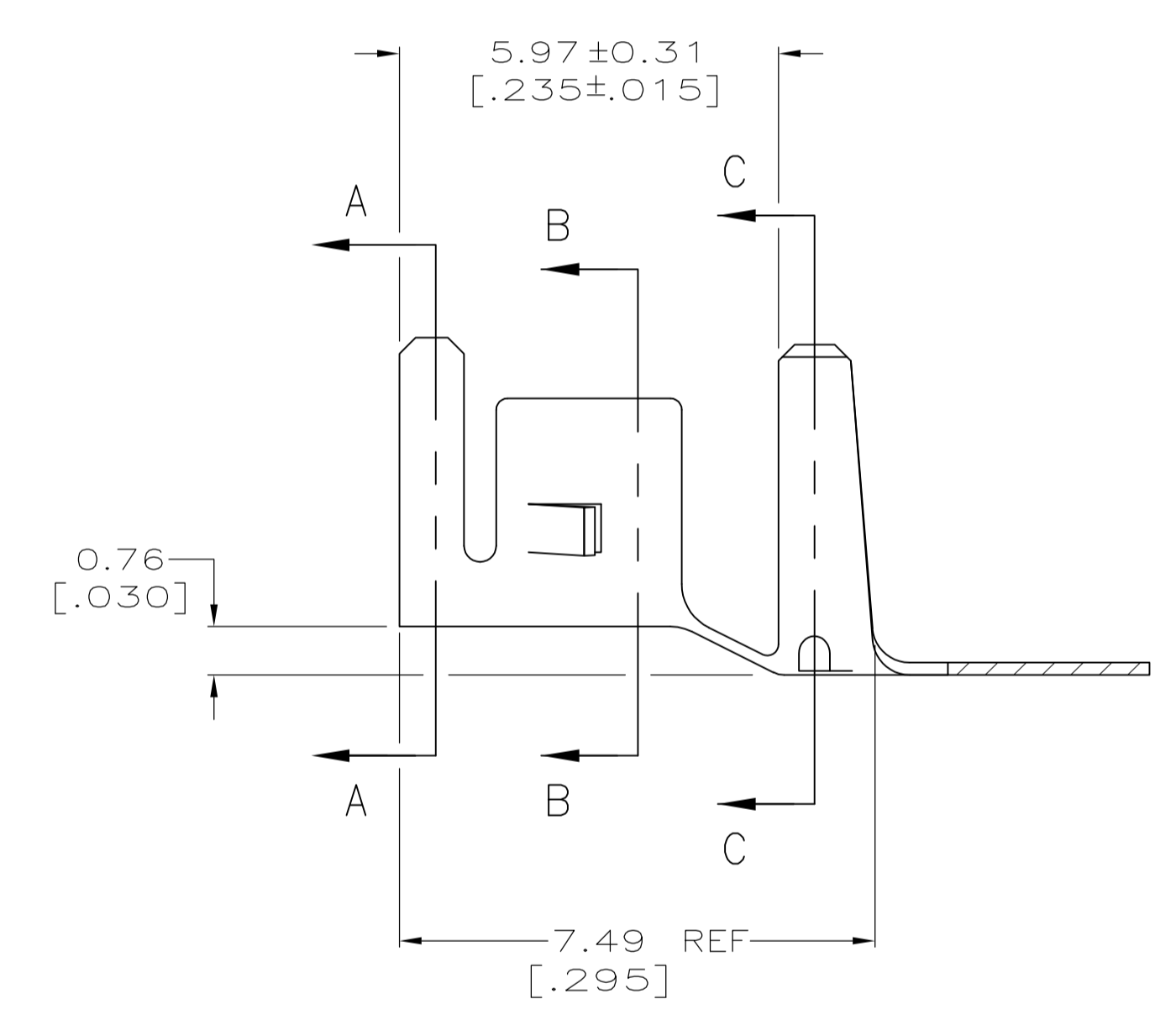


LOC		DIST		REVISIONS			
P	LTR	DESCRIPTION	DATE	DMN	APVD		
B2		REVISED PER ECO-12-014997	23AUG12	KH	SM		

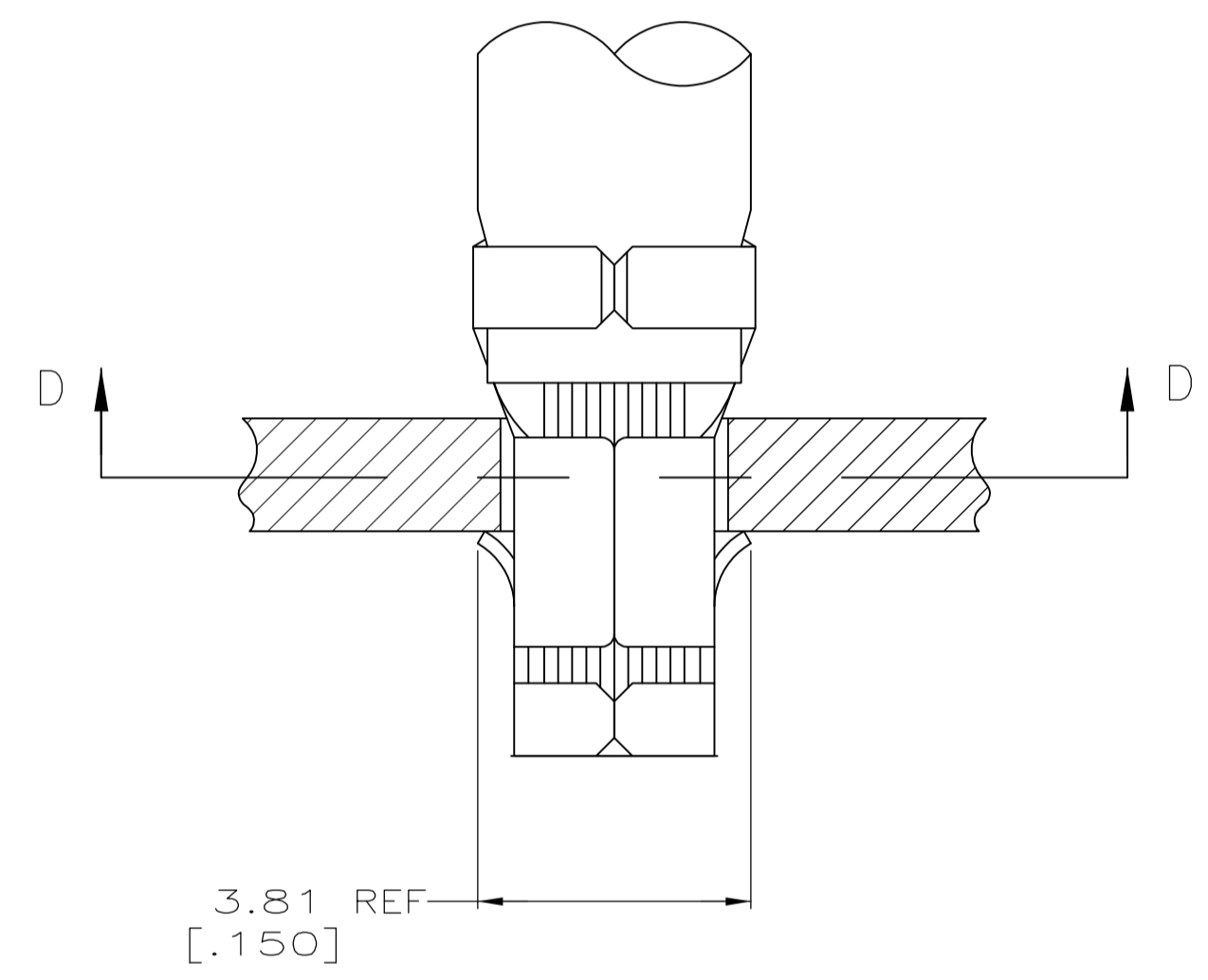
- 1 PARTS COMPLY WITH AMP SOLDERABILITY SPEC 109-11-5.
- 2 0.00508 [.000200] MIN BRIGHT TIN-LEAD.
- 3 WIRE RANGE: 3 mm² (12 AWG).
- 4 INSULATION RANGE: 2.29 - 3.81 [.090 - .150] DIA.
- 5 DIMENSIONS IN BRACKETS ARE IN INCHES.
- 6 0.00508 [.000200] MIN BRIGHT TIN.



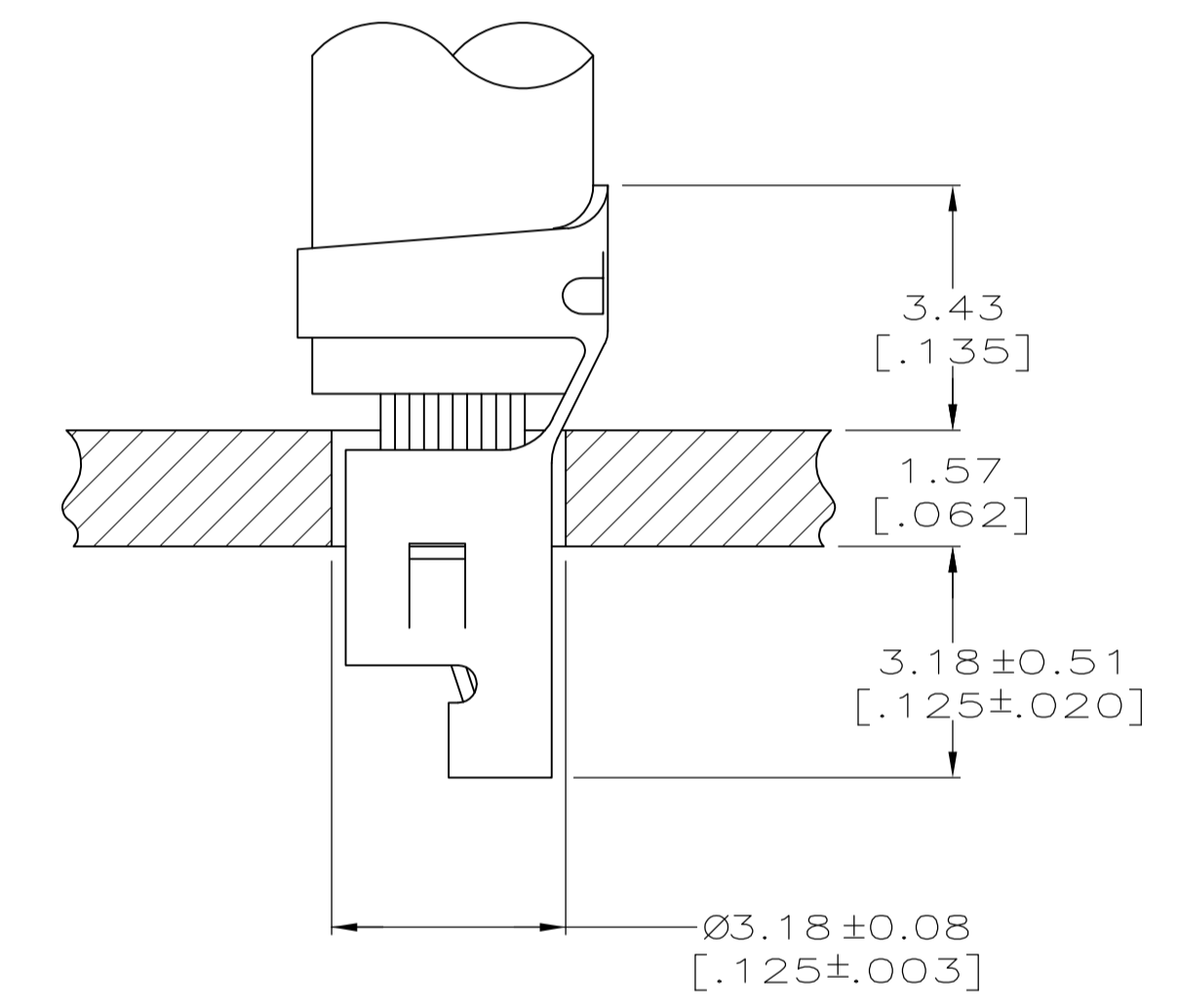
SECTION D-D



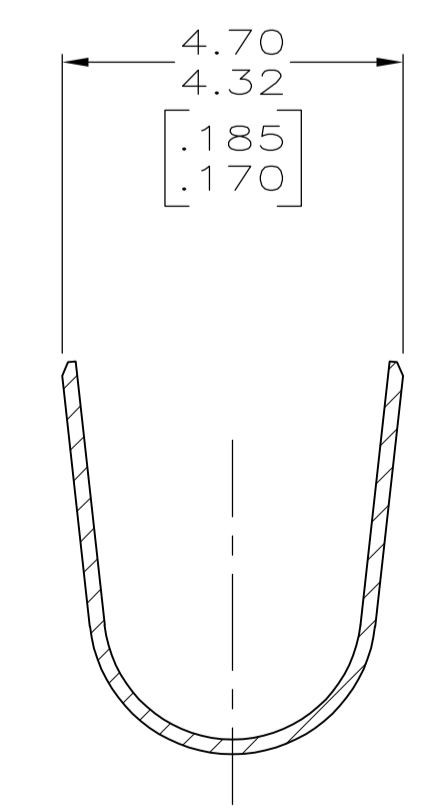
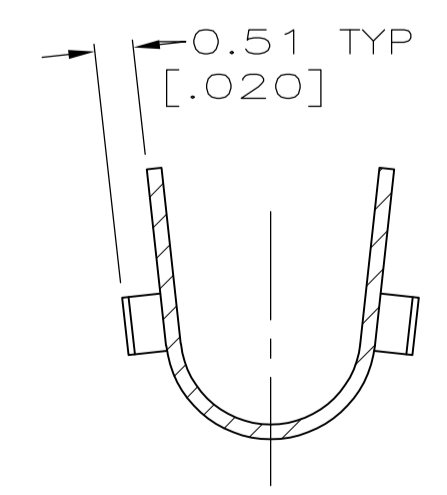
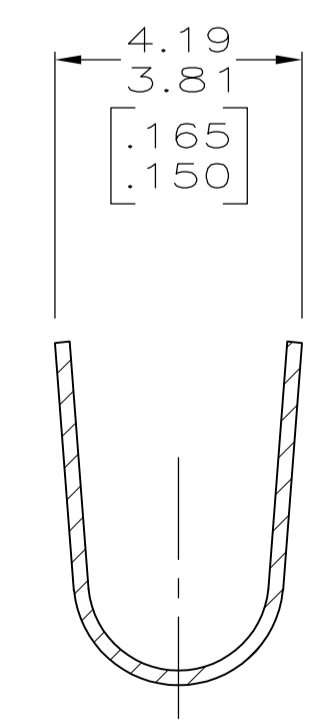
SECTION A-A



SECTION B-B



SECTION C-C



6	3-794013-1
2	-794013-1-
FINISH	PART NO.

SUPERSEDED BY 3-794013-1

THIS DRAWING IS A CONTROLLED DOCUMENT.		DIN S. CARPENTER 21AUG2003		STE TE Connectivity	
DIMENSIONS: INCHES		TOLERANCES UNLESS OTHERWISE SPECIFIED:		NAME	
0. PLG ±		1. PLG ±		APPLICATION SPEC	
1. PLG ±		2. PLG ±		114-1016	
2. PLG ±		3. PLG ± 0.13 [.005]		SIZE	
3. PLG ±		4. PLG ±		CAGE CODE	
4. PLG ±		ANGLES ±		DRAWING NO	
MATERIAL		FINISH		RESTRICTED TO	
0.198 [.0078] PH BRZ				A1 00779 C=794013	
CUSTOMER DRAWING		SCALE 10:1		SHEET 1 OF 1	
				REV B2	

METRIC