



Chipsmall Limited consists of a professional team with an average of over 10 year of expertise in the distribution of electronic components. Based in Hongkong, we have already established firm and mutual-benefit business relationships with customers from,Europe,America and south Asia,supplying obsolete and hard-to-find components to meet their specific needs.

With the principle of “Quality Parts,Customers Priority,Honest Operation,and Considerate Service”,our business mainly focus on the distribution of electronic components. Line cards we deal with include Microchip,ALPS,ROHM,Xilinx,Pulse,ON,Everlight and Freescale. Main products comprise IC,Modules,Potentiometer,IC Socket,Relay,Connector.Our parts cover such applications as commercial,industrial, and automotives areas.

We are looking forward to setting up business relationship with you and hope to provide you with the best service and solution. Let us make a better world for our industry!



Contact us

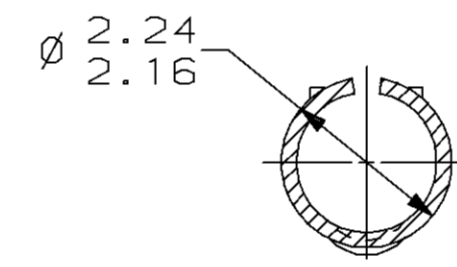
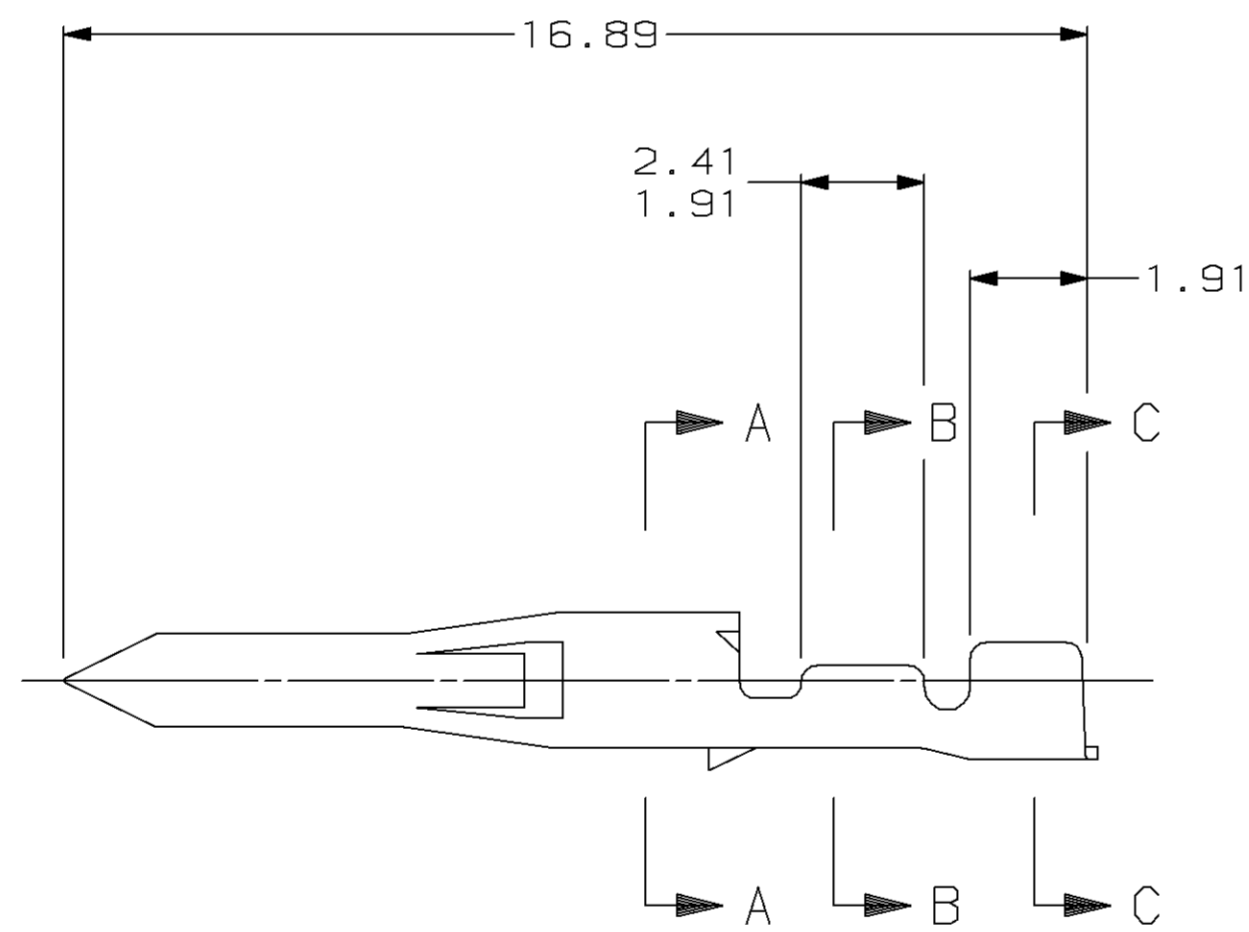
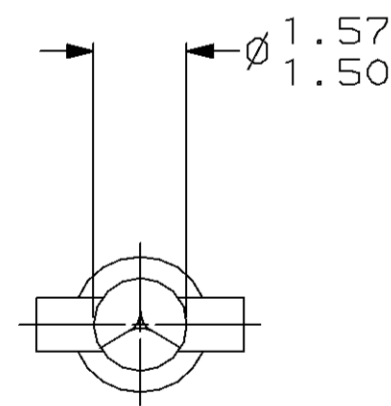
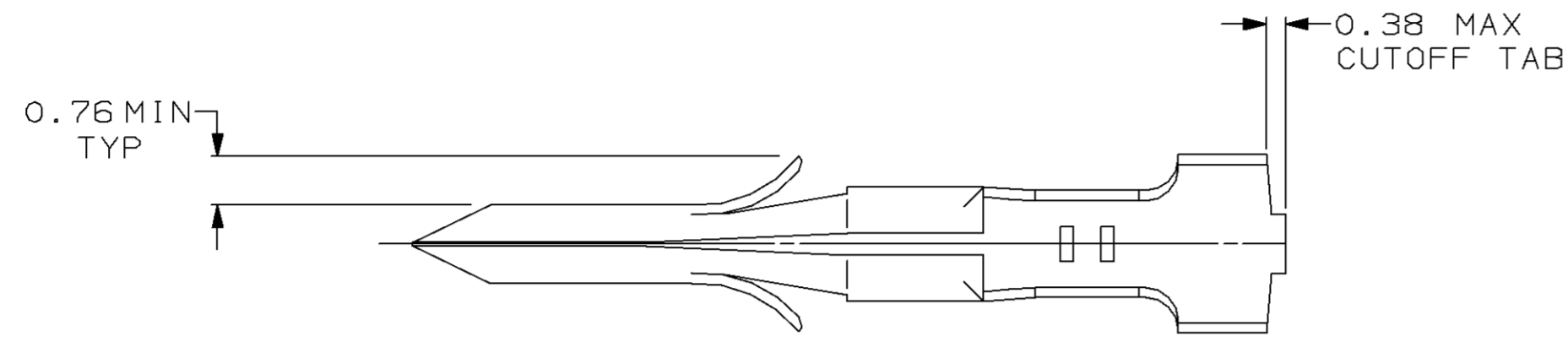
Tel: +86-755-8981 8866 Fax: +86-755-8427 6832

Email & Skype: info@chipsmall.com Web: www.chipsmall.com

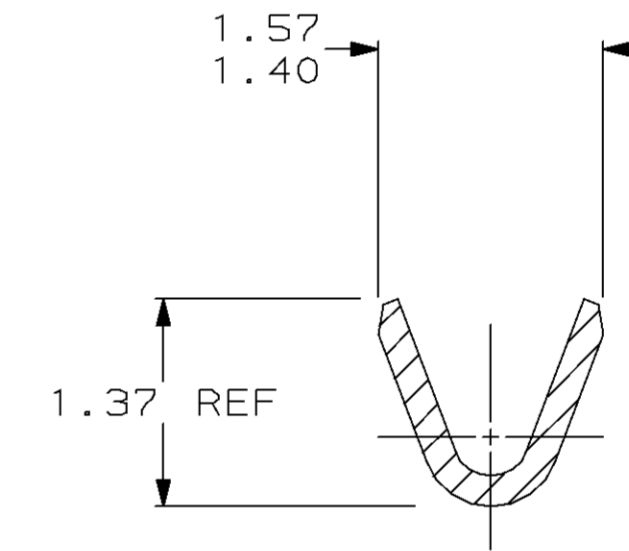
Address: A1208, Overseas Decoration Building, #122 Zhenhua RD., Futian, Shenzhen, China



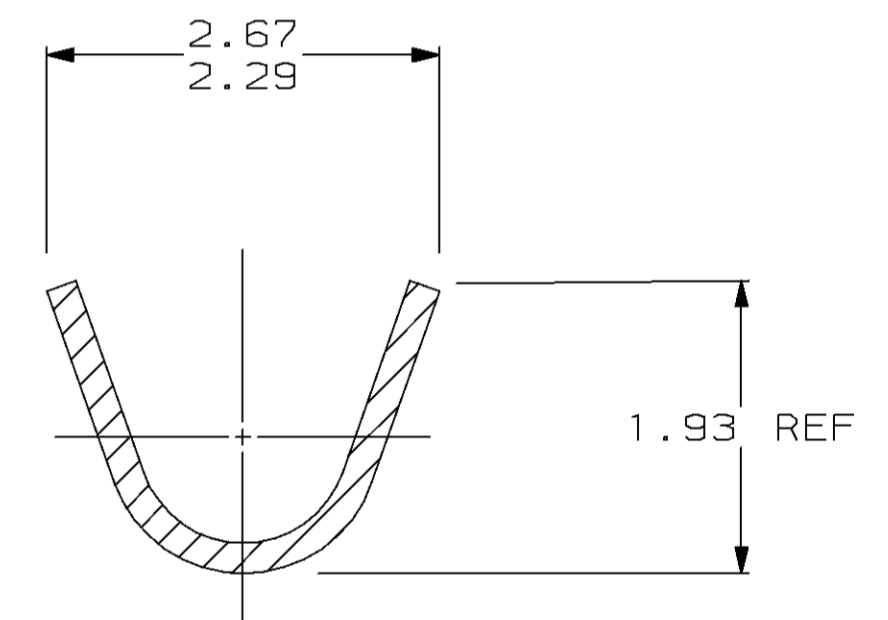
REVISIONS								
LOC	QIST	P	F	ZONE	LTR	DESCRIPTION	DATE	APPD
CM	53					0 RELEASED PER PR CM 93-69	7-14-93	LS RS



SECTION A-A
SCALE 10:1



SECTION B-B
SCALE 20:1



SECTION C-C
SCALE 20:1

1.91	.075		
1.57	.062		
1.52	.060		
1.50	.059	16.89	.665
1.40	.055	2.67	.105
1.37	.054	2.41	.095
0.76	.030	2.29	.090
0.38	.015	2.24	.088
0.20	.008	2.16	.085
0.13	.005	1.93	.076
MM	IN	MM	IN

CONVERSION TABLE

PRE-TIN	0.20 BRASS	1.52 MAX	0.2 - 0.5 mm ² (30-24 AWG)	794018-1
FINISH	MATERIAL	INSULATION DIAMETER	WIRE RANGE	PART NO
DO NOT SCALE PRINT. UNLESS SPECIFIED DIMENSIONS IN mm TOLERANCES ON: 2 PLC DEC ± 0.13 3 PLC DEC ± - ANGLES ± -	DR 7-14-93 L. SMITH CHK 7-14-93 R. SWING APPD 7-15-93 C. CASH	AMP Incorporated Harrisburg, PA 17105-3608		
SEE TABLE	APPD 7-15-93 C. CASH	NAME .062 PIN, LOOSE PIECE, COMMERCIAL PIN AND SOCKET		
FINISH SEE TABLE	APPLICATION SPEC -	SIZE Ø 00779	CAGE CODE 00779	DRAWING NO 794018
	WEIGHT -	SCALE 8:1		SHEET 1 OF 1

METRIC