



Chipsmall Limited consists of a professional team with an average of over 10 year of expertise in the distribution of electronic components. Based in Hongkong, we have already established firm and mutual-benefit business relationships with customers from,Europe,America and south Asia,supplying obsolete and hard-to-find components to meet their specific needs.

With the principle of “Quality Parts,Customers Priority,Honest Operation,and Considerate Service”,our business mainly focus on the distribution of electronic components. Line cards we deal with include Microchip,ALPS,ROHM,Xilinx,Pulse,ON,Everlight and Freescale. Main products comprise IC,Modules,Potentiometer,IC Socket,Relay,Connector.Our parts cover such applications as commercial,industrial, and automotives areas.

We are looking forward to setting up business relationship with you and hope to provide you with the best service and solution. Let us make a better world for our industry!



Contact us

Tel: +86-755-8981 8866 Fax: +86-755-8427 6832

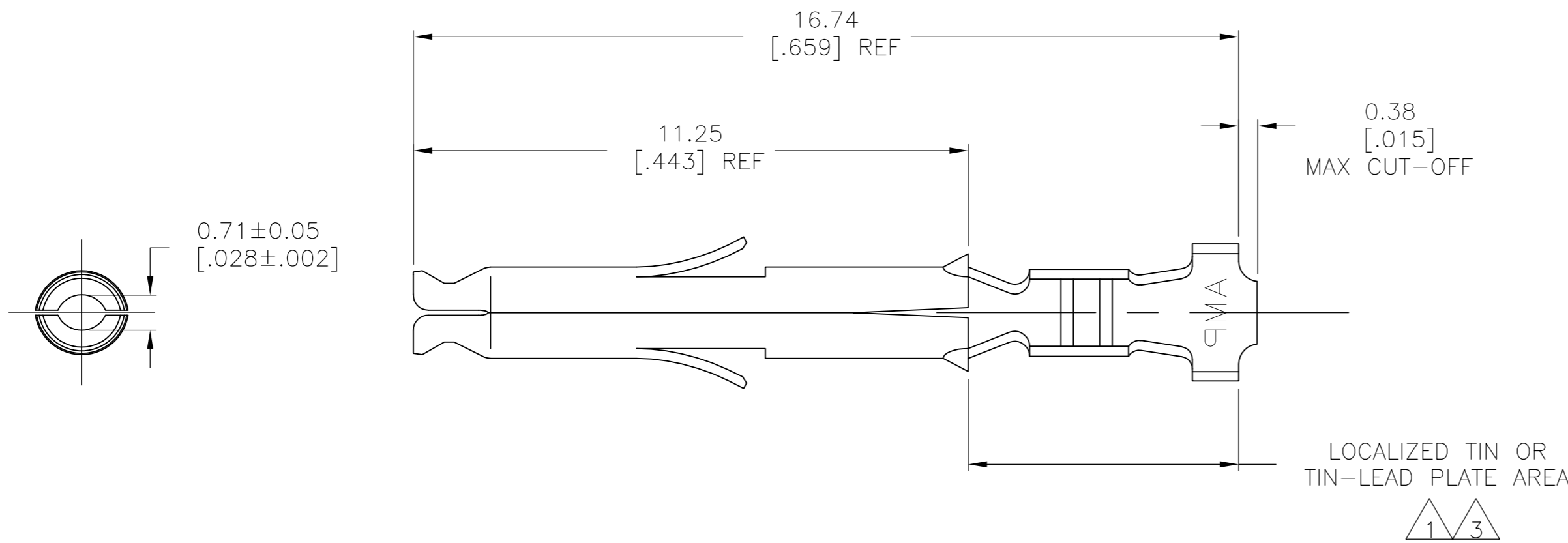
Email & Skype: info@chipsmall.com Web: www.chipsmall.com

Address: A1208, Overseas Decoration Building, #122 Zhenhua RD., Futian, Shenzhen, China

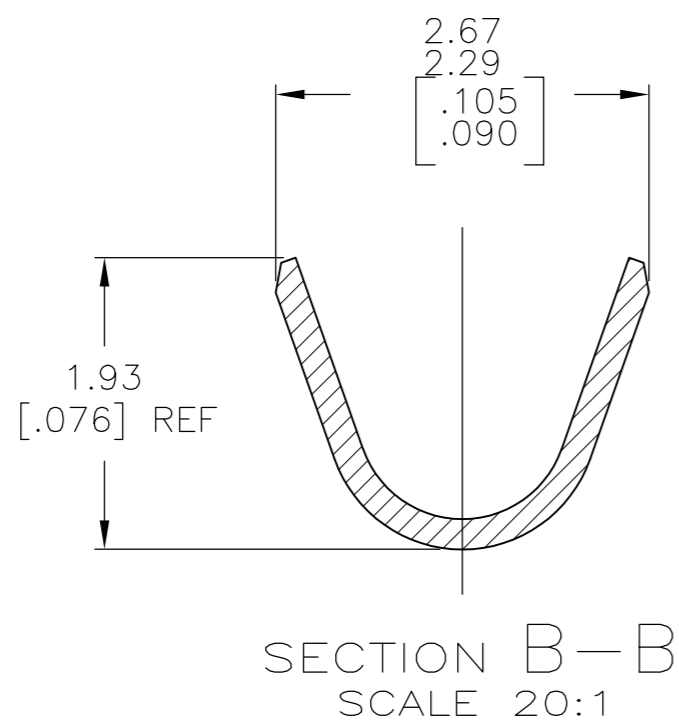
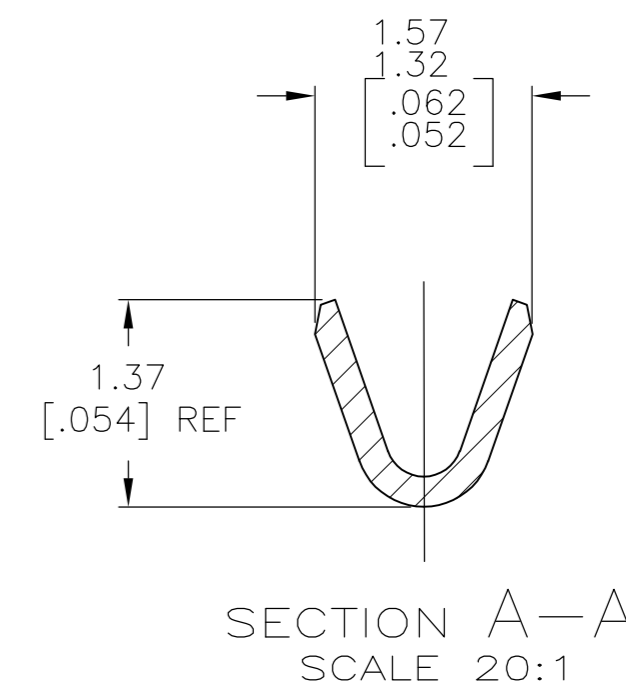
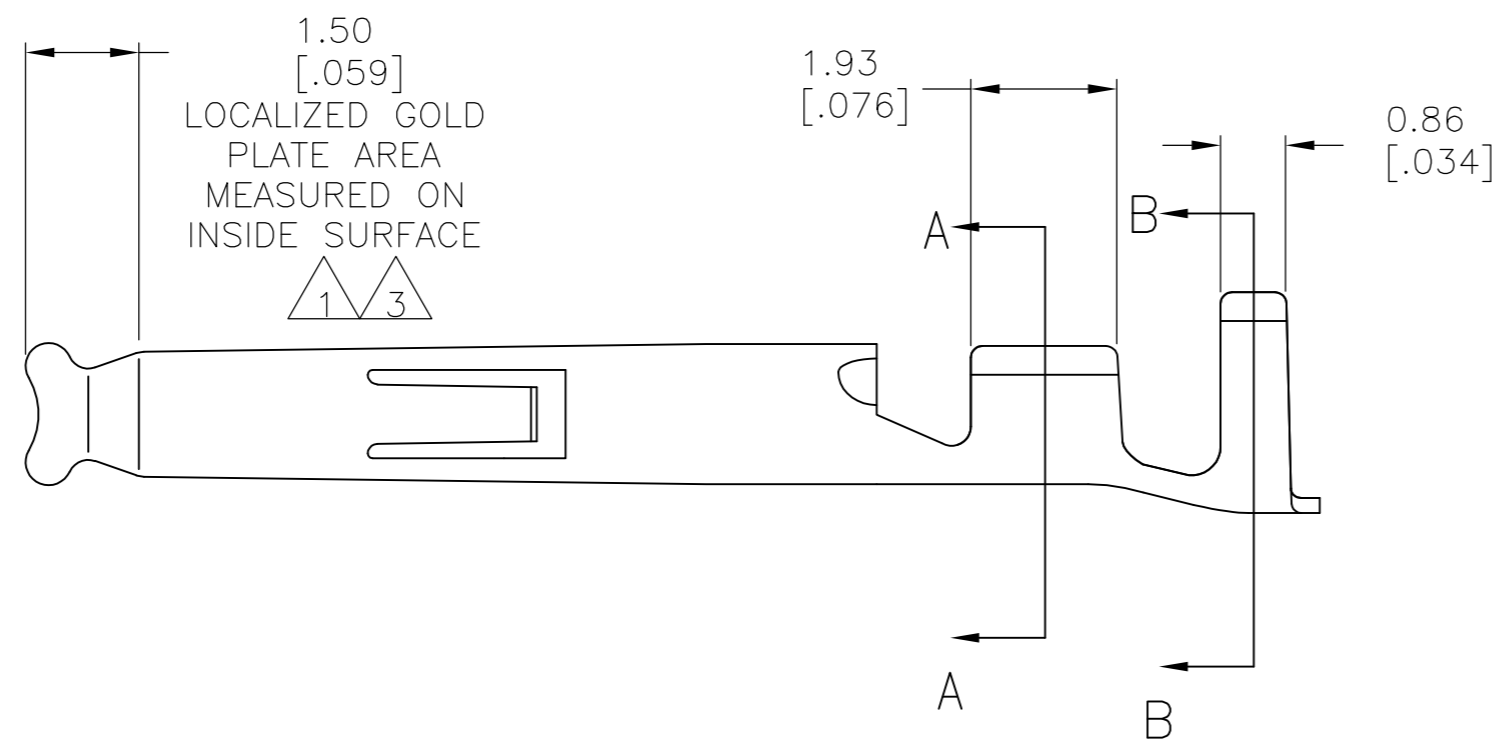


THIS DRAWING IS UNPUBLISHED. RELEASED FOR PUBLICATION
 © COPYRIGHT BY TYCO ELECTRONICS CORPORATION. ALL INTERNATIONAL RIGHTS RESERVED.

| LOC | DIST | REVISIONS | | | |
|-----|------|-------------|---------------------------|---------|--------|
| P | LTR | DESCRIPTION | DATE | DWN | APVD |
| CM | 00 | G1 | REVISED PER ECO-08-030379 | 05DEC08 | HMR CJ |



- 1 0.00076 [.000030] MIN GOLD IN LOCALIZED GOLD PLATE AREA AND 0.00254 [.000100] MIN BRIGHT TIN-LEAD IN LOCALIZED TIN-LEAD PLATE AREA OVER 0.0013 [.000050] MIN NICKEL.
- 2 WIRE RANGE: 0.5-0.15mm² (30-26 AWG).
- 3 0.00076 [.000030] MIN GOLD IN LOCALIZED GOLD PLATE AREA AND 0.00254 [.000100] MIN MATTE TIN IN LOCALIZED TIN PLATE AREA OVER 0.0013 [.000050] MIN NICKEL.



| | | |
|---------|--------------------|-------------|
| 3 | 0.20 [.008] PH BRZ | 1-794058-1 |
| 3 | 0.20 [.008] BRASS | 1-794058-0 |
| 1 | 0.20 [.008] BRASS | 794058-3 |
| PRE-TIN | 0.20 [.008] BRASS | 794058-1 |
| FINISH | MATERIAL | PART NUMBER |

| | | | | |
|--|--|-----------------------|---|--|
| THIS DRAWING IS A CONTROLLED DOCUMENT. | | DWN S. HOOVER 18OCT02 | Tyco Electronics Corporation Harrisburg, PA 17105-3608 | |
| DIMENSIONS: mm [INCHES] | | CHK C. JONES 18OCT02 | NAME SOCKET MINI UNIVERSAL MATE-N-LOK(TM) | |
| TOLERANCES UNLESS OTHERWISE SPECIFIED: | | APVD C. JONES 18OCT02 | SIZE A2 CAGE CODE 00779 C=794058 | |
| 0 PLC ± - | | PRODUCT SPEC - | RESTRICTED TO - | |
| 1 PLC ± - | | APPLICATION SPEC - | SCALE 10:1 SHEET 1 OF 1 | |
| 2 PLC ± - | | WEIGHT - | REV G1 | |
| 3 PLC ± 0.15[.006] | | CUSTOMER DRAWING | | |
| 4 PLC ± - | | | | |
| ANGLES ± 1° | | | | |
| FINISH - | | | | |

METRIC