



Chipsmall Limited consists of a professional team with an average of over 10 year of expertise in the distribution of electronic components. Based in Hongkong, we have already established firm and mutual-benefit business relationships with customers from,Europe,America and south Asia,supplying obsolete and hard-to-find components to meet their specific needs.

With the principle of "Quality Parts,Customers Priority,Honest Operation,and Considerate Service",our business mainly focus on the distribution of electronic components. Line cards we deal with include Microchip,ALPS,ROHM,Xilinx,Pulse,ON,Everlight and Freescale. Main products comprise IC,Modules,Potentiometer,IC Socket,Relay,Connector.Our parts cover such applications as commercial,industrial, and automotives areas.

We are looking forward to setting up business relationship with you and hope to provide you with the best service and solution. Let us make a better world for our industry!



Contact us

Tel: +86-755-8981 8866 Fax: +86-755-8427 6832

Email & Skype: info@chipsmall.com Web: www.chipsmall.com

Address: A1208, Overseas Decoration Building, #122 Zhenhua RD., Futian, Shenzhen, China



4


3

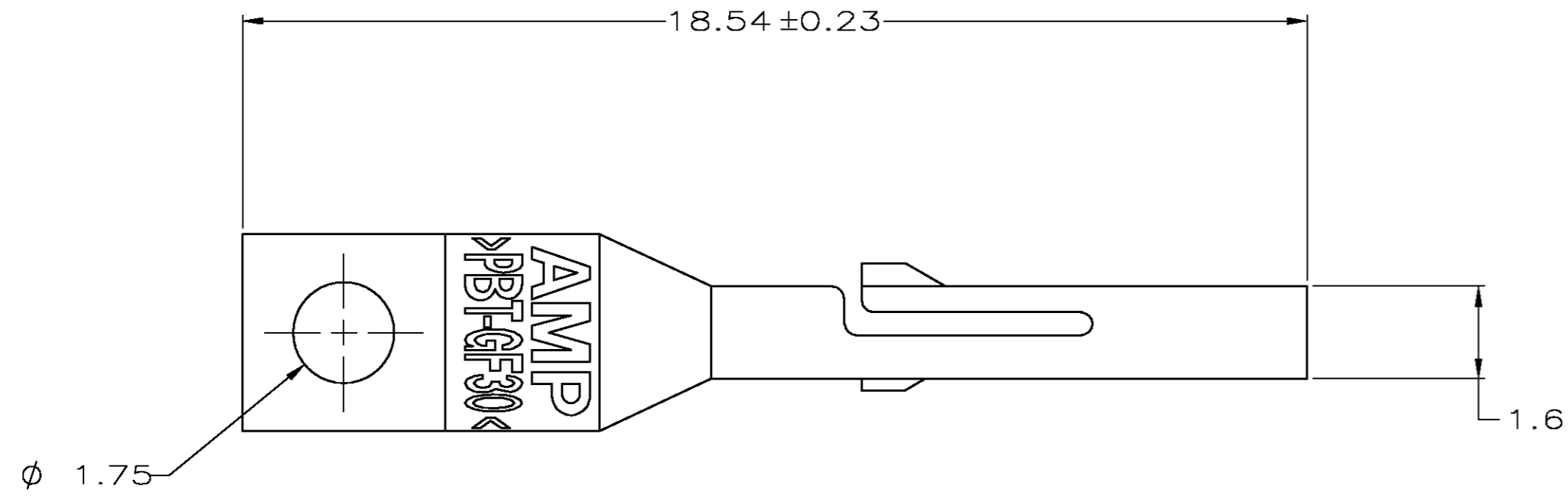
2

1

THIS DRAWING IS UNPUBLISHED. RELEASED FOR PUBLICATION
 © COPYRIGHT BY TYCO ELECTRONICS CORPORATION. ALL RIGHTS RESERVED.

LOC	DIST	REVISIONS			
P	LTR	DESCRIPTION	DATE	DWN	APVD
GP	00				
D		REV PER EC 0S12-0451-03	06NOV03	AF	AF

1. USED IN AMP-DUAC/PL™ RECEPTACLES IN PLACE OF A SOCKET CONTACT.
2.  INSTALL KEYING PLUG SO THAT PL SLOT FACES TOWARD THE OPPOSING ROW OF CIRCUITS.
3. FOR MATING HEADER, CONTACT PIN MUST BE OMITTED IN THE CIRCUIT THAT IS KEYED.

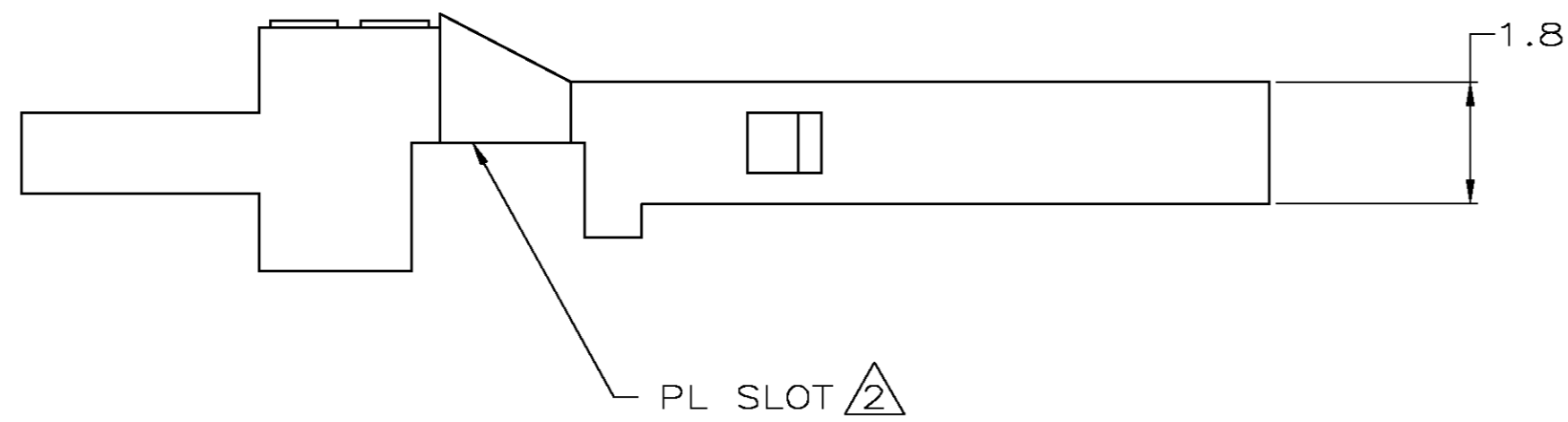


18.54 ± 0.23


φ 1.75

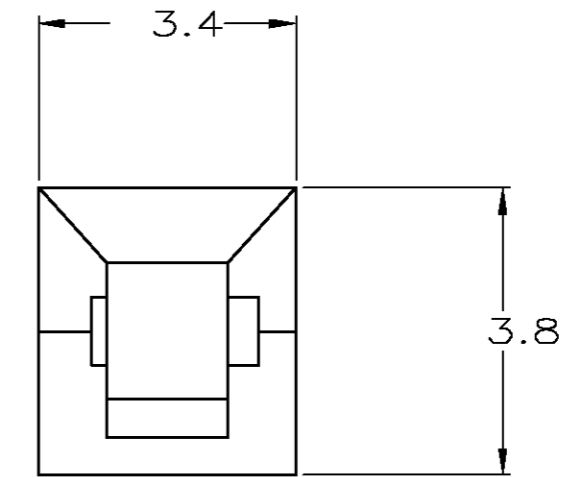
1.6

AMP
PBT/GF30



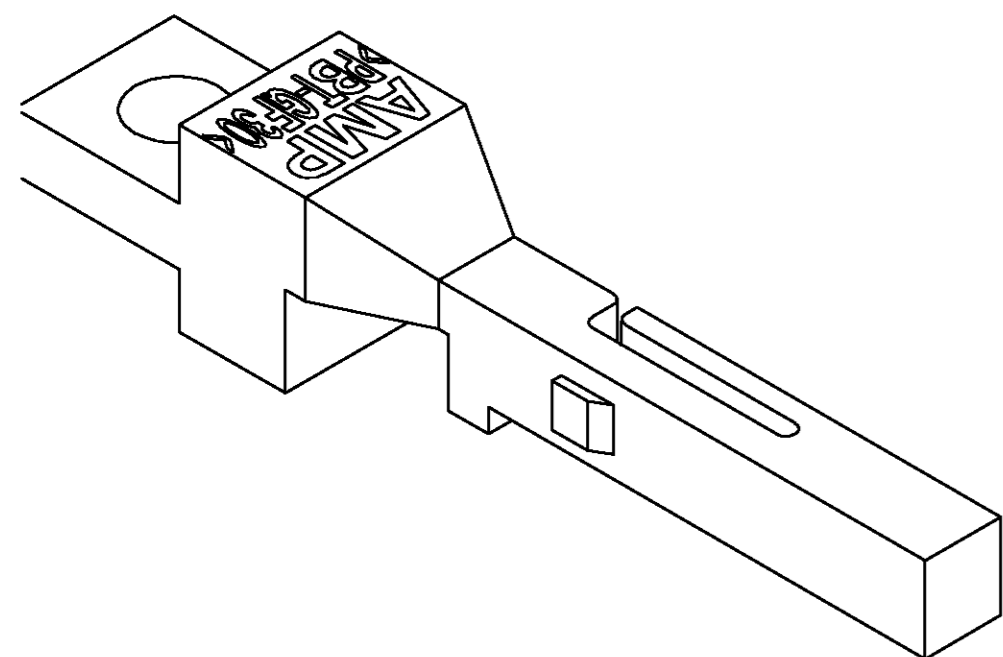
1.8

PL SLOT 



3.4


3.8



3-DIMENSIONAL MODEL
NTS

METRIC

794144-1
PART NUMBER

THIS DRAWING IS A CONTROLLED DOCUMENT.		DWN K. WHITAKER 8-08-97	 Tyco Electronics Corporation City, State, Zip	
DIMENSIONS: MM		CHK R. SWING 8-08-97		
TOLERANCES UNLESS OTHERWISE SPECIFIED:		APVD E. BEILES 8-08-97	NAME KEYING PLUG, AMP-DUAC/PL	
0 PLC ± -		PRODUCT SPEC 108-1646	SIZE A2	
1 PLC ± 0.2		APPLICATION SPEC 114-6067	CAGE CODE 00779	DRAWING NO C=794144
2 PLC ± 0.13		WEIGHT	RESTRICTED TO -	
3 PLC ± -		CUSTOMER DRAWING	SCALE 10:1	SHEET 1 OF 1
4 PLC ± -		FINISH	REV D	
ANGLES ± 1°				
MATERIAL PBT, GLASS FILLED,				

AMP 1471-9 REV 31MAR2000

C:\Documents and Settings\us002892\My Documents\Drawings\

794144

A