



Chipsmall Limited consists of a professional team with an average of over 10 year of expertise in the distribution of electronic components. Based in Hongkong, we have already established firm and mutual-benefit business relationships with customers from,Europe,America and south Asia,supplying obsolete and hard-to-find components to meet their specific needs.

With the principle of “Quality Parts,Customers Priority,Honest Operation,and Considerate Service”,our business mainly focus on the distribution of electronic components. Line cards we deal with include Microchip,ALPS,ROHM,Xilinx,Pulse,ON,Everlight and Freescale. Main products comprise IC,Modules,Potentiometer,IC Socket,Relay,Connector.Our parts cover such applications as commercial,industrial, and automotives areas.

We are looking forward to setting up business relationship with you and hope to provide you with the best service and solution. Let us make a better world for our industry!



## Contact us

Tel: +86-755-8981 8866 Fax: +86-755-8427 6832

Email & Skype: info@chipsmall.com Web: www.chipsmall.com

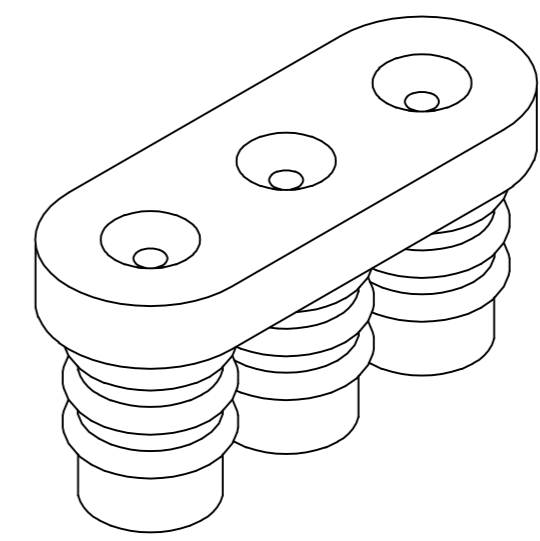
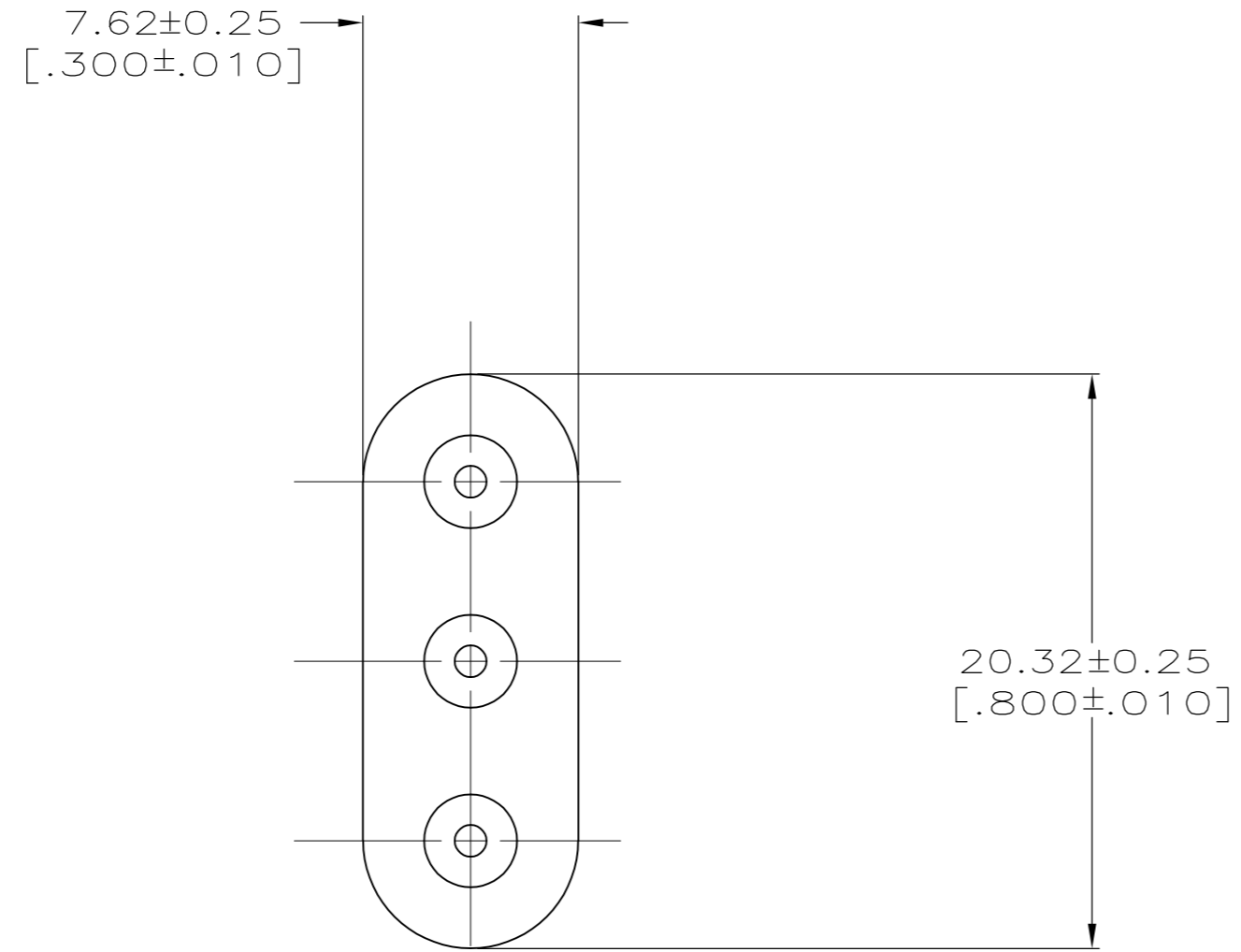
Address: A1208, Overseas Decoration Building, #122 Zhenhua RD., Futian, Shenzhen, China



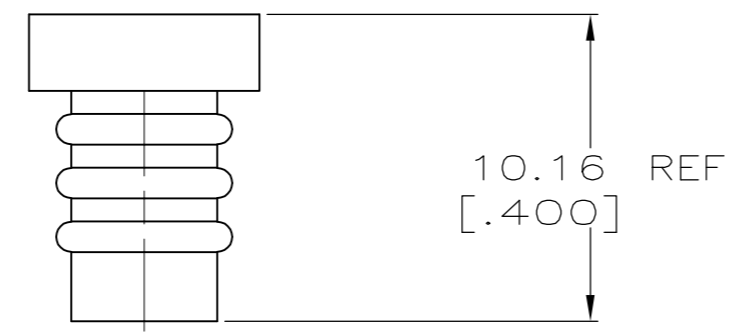
THIS DRAWING IS UNPUBLISHED. RELEASED FOR PUBLICATION  
 © COPYRIGHT - By - ALL RIGHTS RESERVED.

LOC	DIST	REVISIONS					
		P	LTR	DESCRIPTION	DATE	DWN	APVD
CM	53		A1	REVISED PER ECO-11-005027	11MAR11	RK	HMR

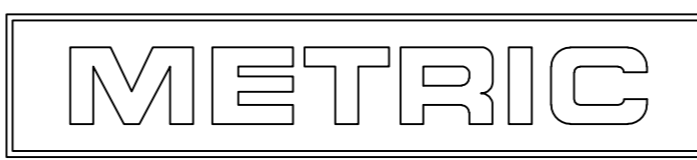
- 1. MATERIAL: SELF LUBRICATING SILICON RUBBER  
COLOR: BLUE
- 2. DIMENSIONS IN BRACKETS ARE IN INCHES.



3-DIMENSIONAL MODEL  
NTS



794272-1  
PART NUMBER



THIS DRAWING IS A CONTROLLED DOCUMENT.		DWN	B. LEWIS	3-25-97		TE Connectivity		
DIMENSIONS: INCHES		CHK	R. SWING	3-25-97		NAME		
		APVD	D. SELF	3-25-97		WIRE SEAL, 3 CIRCUIT, UNIVERSAL MATE-N-LOK™		
TOLERANCES UNLESS OTHERWISE SPECIFIED: 0 PLC ± - 1 PLC ± - 2 PLC ± - 3 PLC ± 0.13 [.005] 4 PLC ± - ANGLES ± 0° 30'		PRODUCT SPEC	-			SIZE	CAGE CODE	DRAWING NO
MATERIAL		FINISH	-		WEIGHT	-		RESTRICTED TO
		CUSTOMER DRAWING		SCALE	4:1	SHEET	1 OF 1	REV
				A2 00779 C=794272				A1