



Chipsmall Limited consists of a professional team with an average of over 10 year of expertise in the distribution of electronic components. Based in Hongkong, we have already established firm and mutual-benefit business relationships with customers from,Europe,America and south Asia,supplying obsolete and hard-to-find components to meet their specific needs.

With the principle of “Quality Parts,Customers Priority,Honest Operation,and Considerate Service”,our business mainly focus on the distribution of electronic components. Line cards we deal with include Microchip,ALPS,ROHM,Xilinx,Pulse,ON,Everlight and Freescale. Main products comprise IC,Modules,Potentiometer,IC Socket,Relay,Connector.Our parts cover such applications as commercial,industrial, and automotives areas.

We are looking forward to setting up business relationship with you and hope to provide you with the best service and solution. Let us make a better world for our industry!



## Contact us

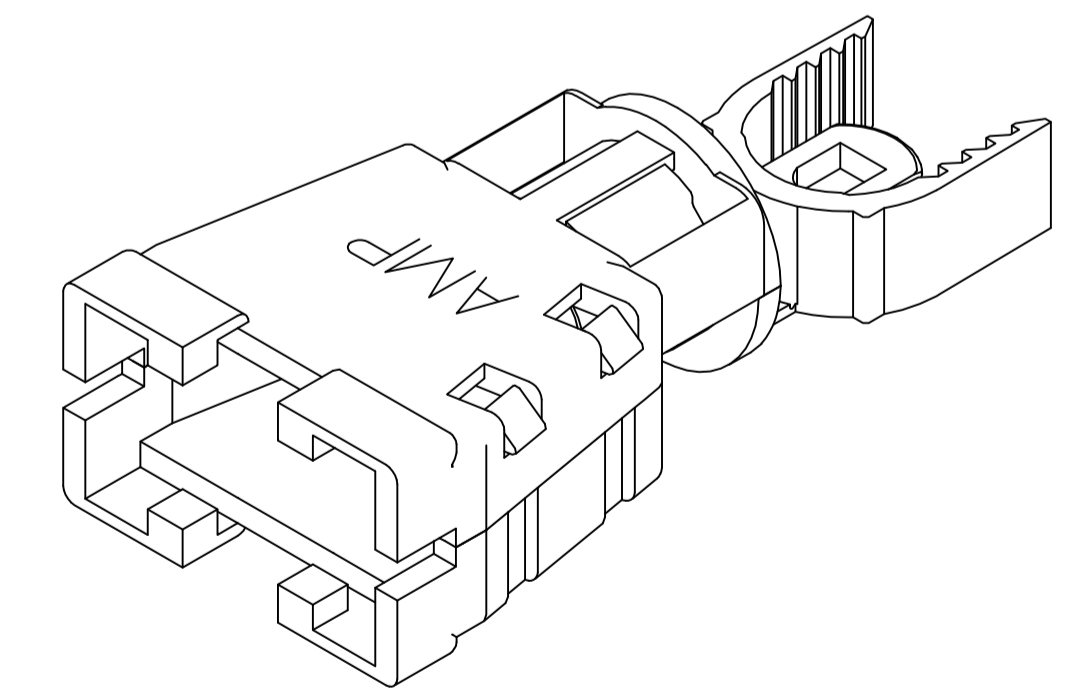
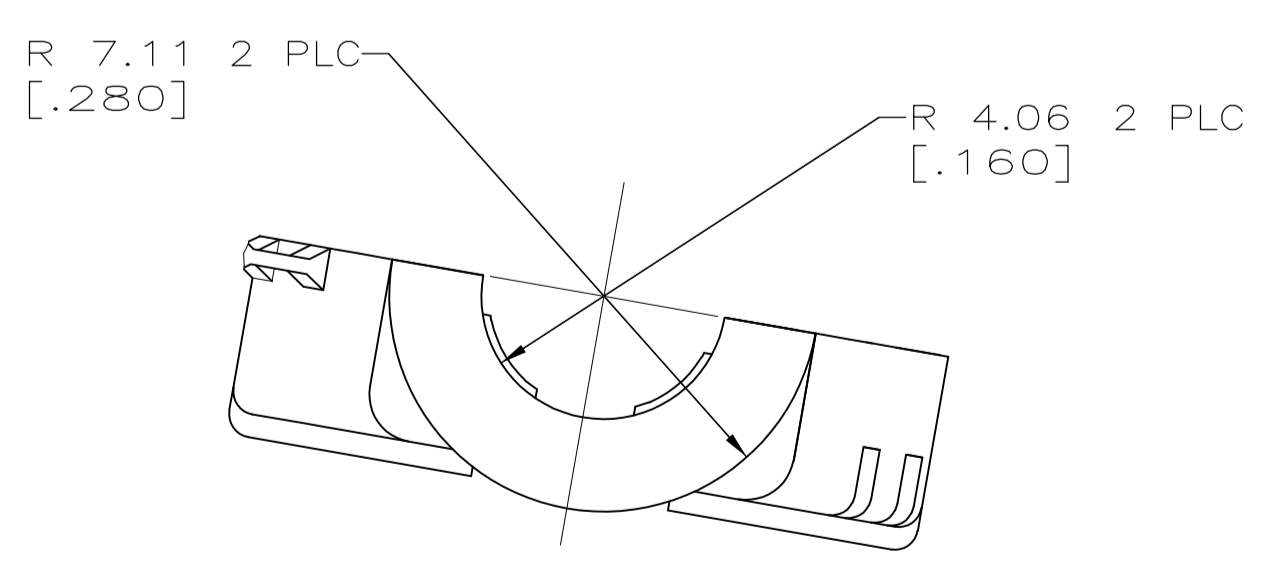
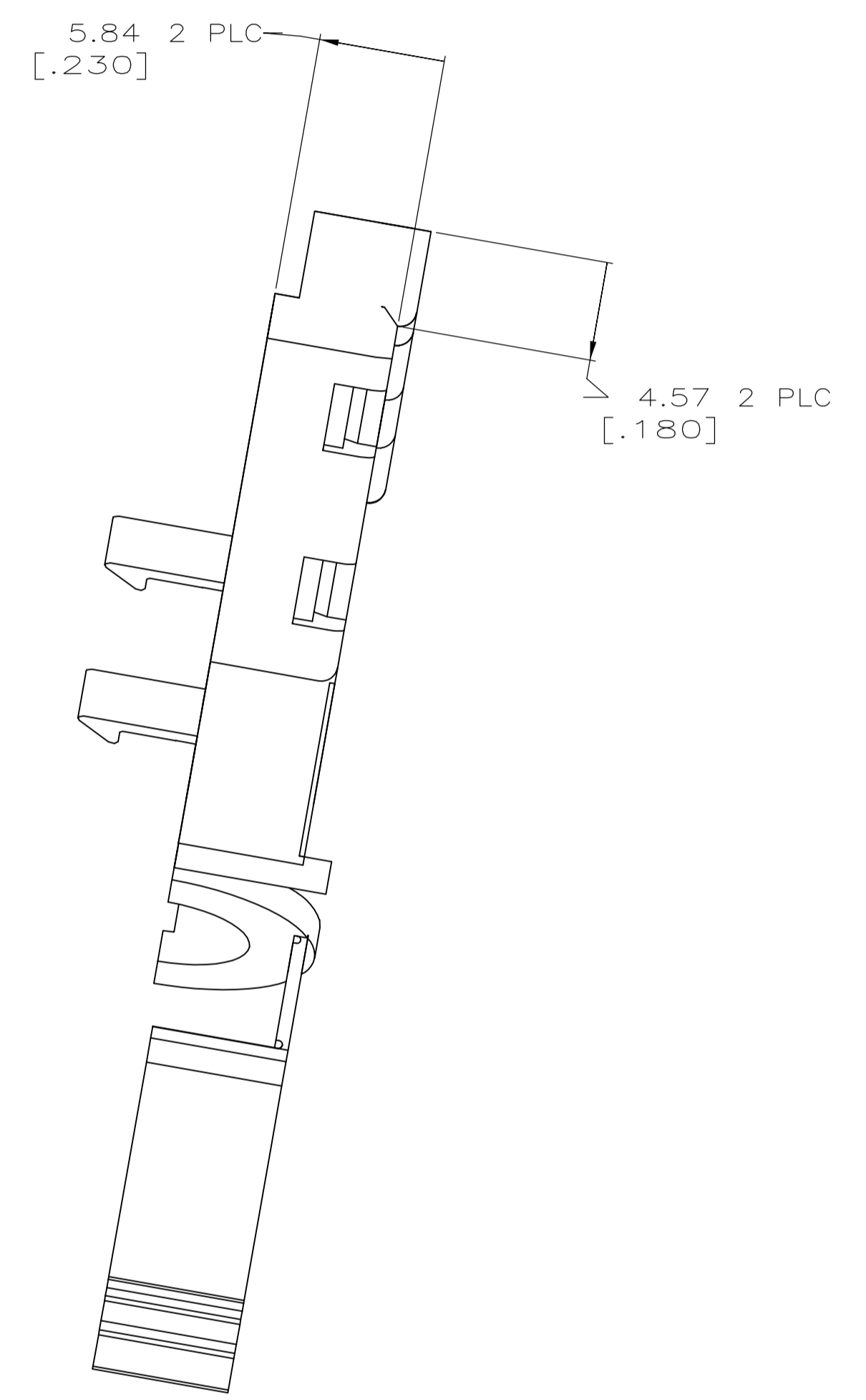
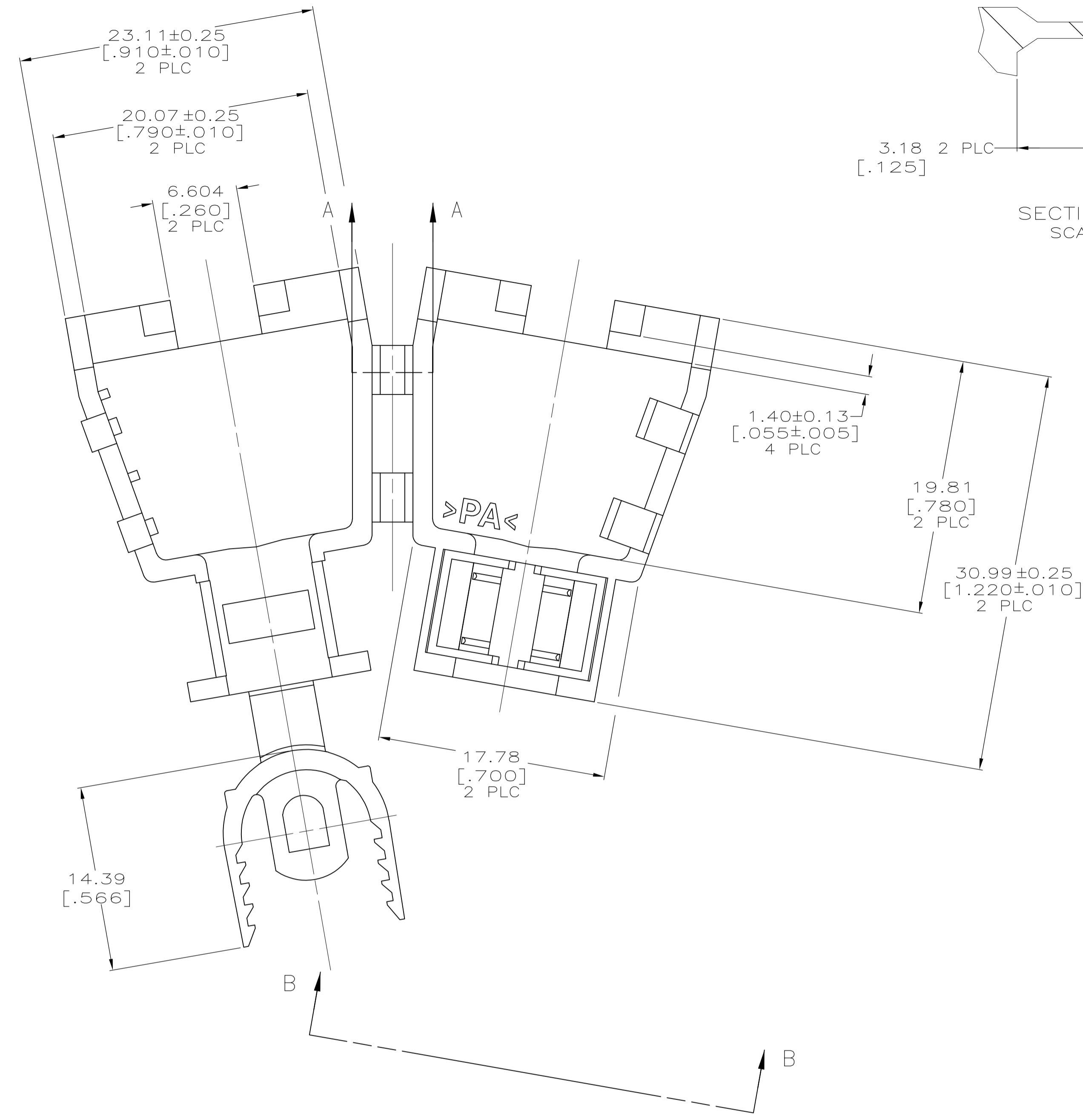
Tel: +86-755-8981 8866 Fax: +86-755-8427 6832

Email & Skype: info@chipsmall.com Web: www.chipsmall.com

Address: A1208, Overseas Decoration Building, #122 Zhenhua RD., Futian, Shenzhen, China



LOC		DIST		REVISIONS			
P	LTR	DESCRIPTION	DATE	DMN	APVD		
B		REV PER ECR 11-017103	19AUG11	JR	TM		



794370-1  
PART NUMBER

THIS DRAWING IS A CONTROLLED DOCUMENT.		DMN R VESTAL 10-03-97	STE TE Connectivity	
DIMENSIONS: mm [INCHES]		CHK R SWING 10-03-97	NAME STRAIN RELIEF, HINGED, PLUG AND CAP, 8 POSITION, MINI UNIVERSAL MATE-N-LOK	
TOLERANCES UNLESS OTHERWISE SPECIFIED:		APVD R ORSTAD 10-03-97	PRODUCT SPEC	
0 PLC	± -	APPLICATION SPEC		
1 PLC	± -	SIZE		
2 PLC	± 0.13[.005]	CAGE CODE		
3 PLC	± -	DRAWING NO		
4 PLC	± -	RESTRICTED TO		
ANGLES	± 0° 30'	WEIGHT		
MATERIAL NYLON, UL94V-0	FINISH COLOR-NATURAL	A1 00779 C=794370		
CUSTOMER DRAWING		SCALE 4:1 SHEET 1 OF 1 REV B		

