



Chipsmall Limited consists of a professional team with an average of over 10 year of expertise in the distribution of electronic components. Based in Hongkong, we have already established firm and mutual-benefit business relationships with customers from,Europe,America and south Asia,supplying obsolete and hard-to-find components to meet their specific needs.

With the principle of "Quality Parts,Customers Priority,Honest Operation,and Considerate Service",our business mainly focus on the distribution of electronic components. Line cards we deal with include Microchip,ALPS,ROHM,Xilinx,Pulse,ON,Everlight and Freescale. Main products comprise IC,Modules,Potentiometer,IC Socket,Relay,Connector.Our parts cover such applications as commercial,industrial, and automotives areas.

We are looking forward to setting up business relationship with you and hope to provide you with the best service and solution. Let us make a better world for our industry!



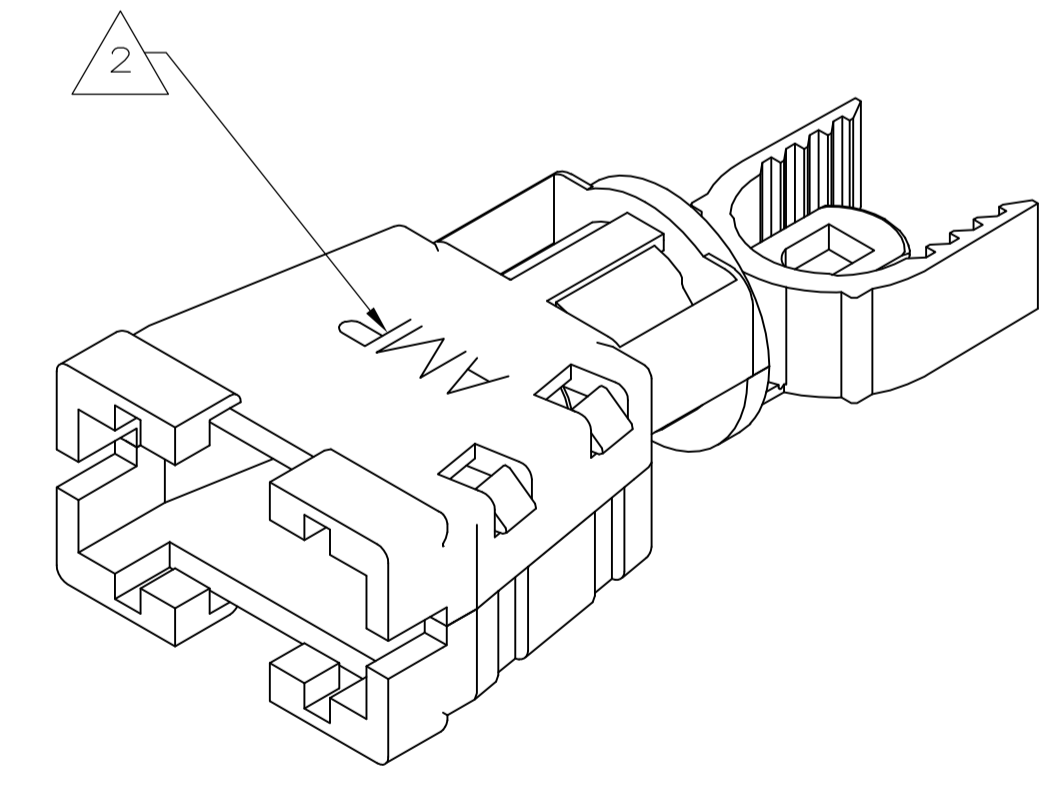
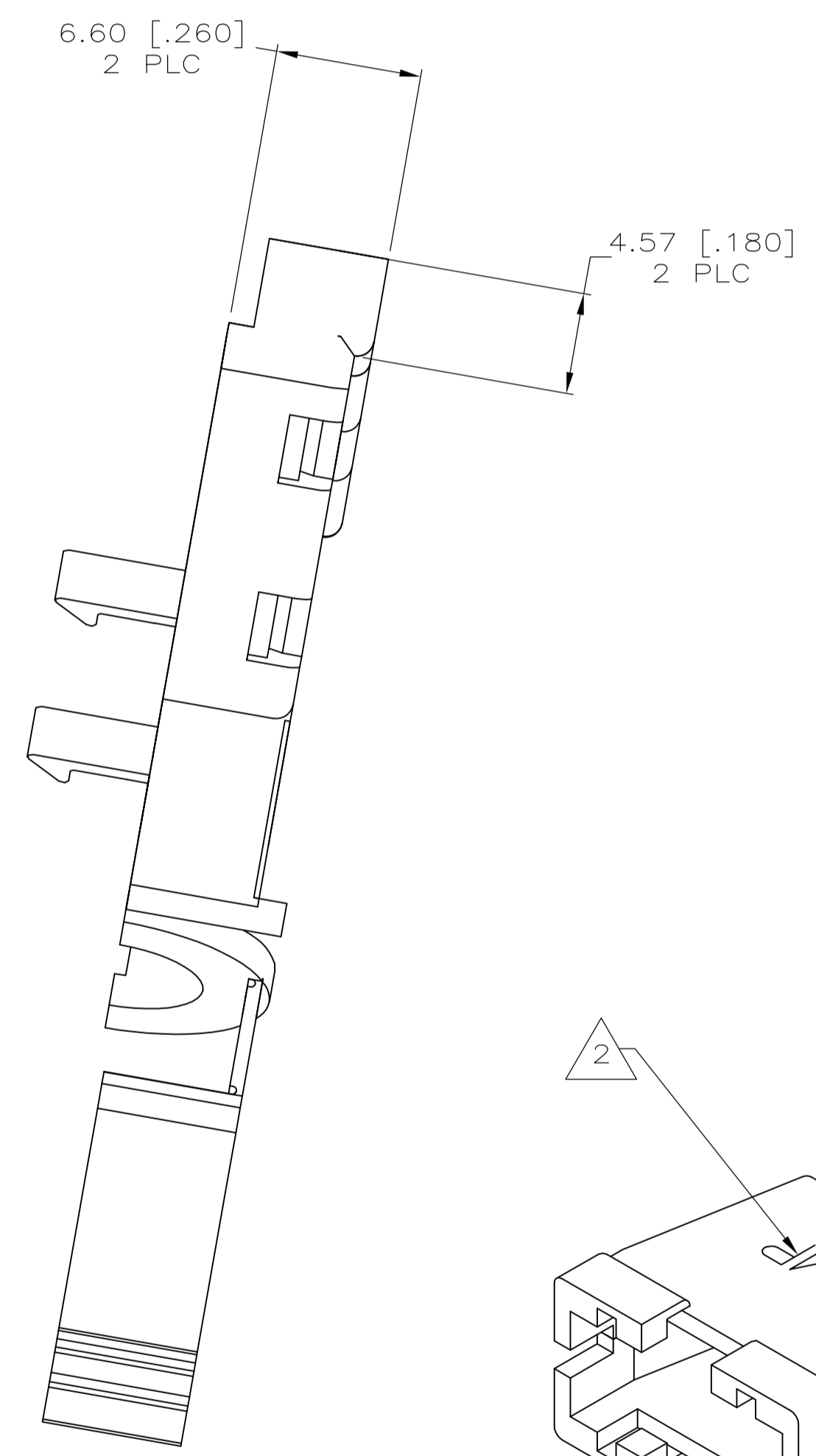
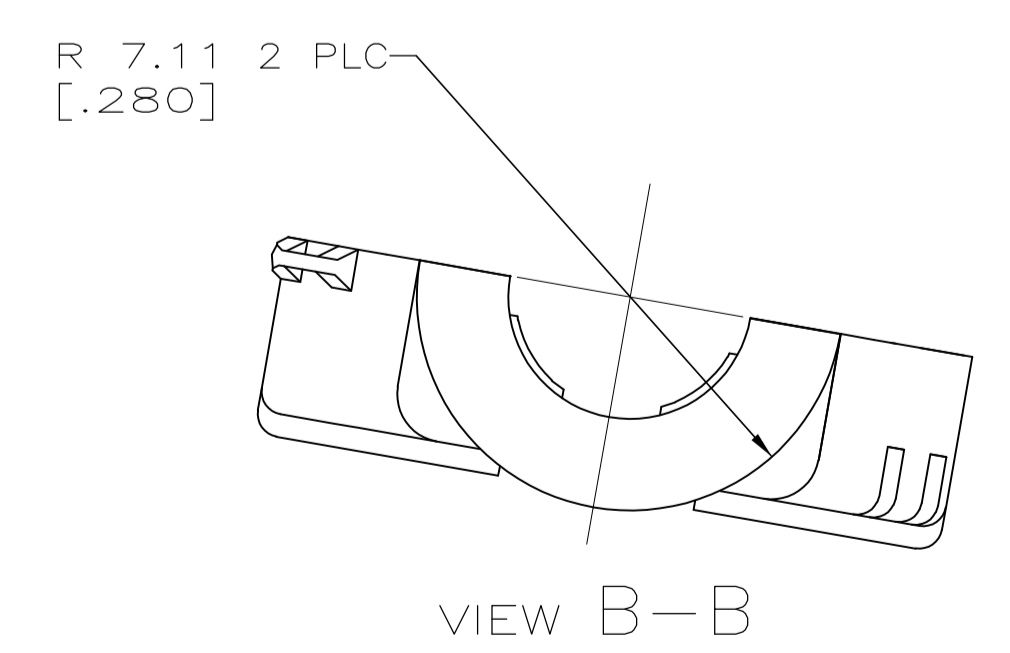
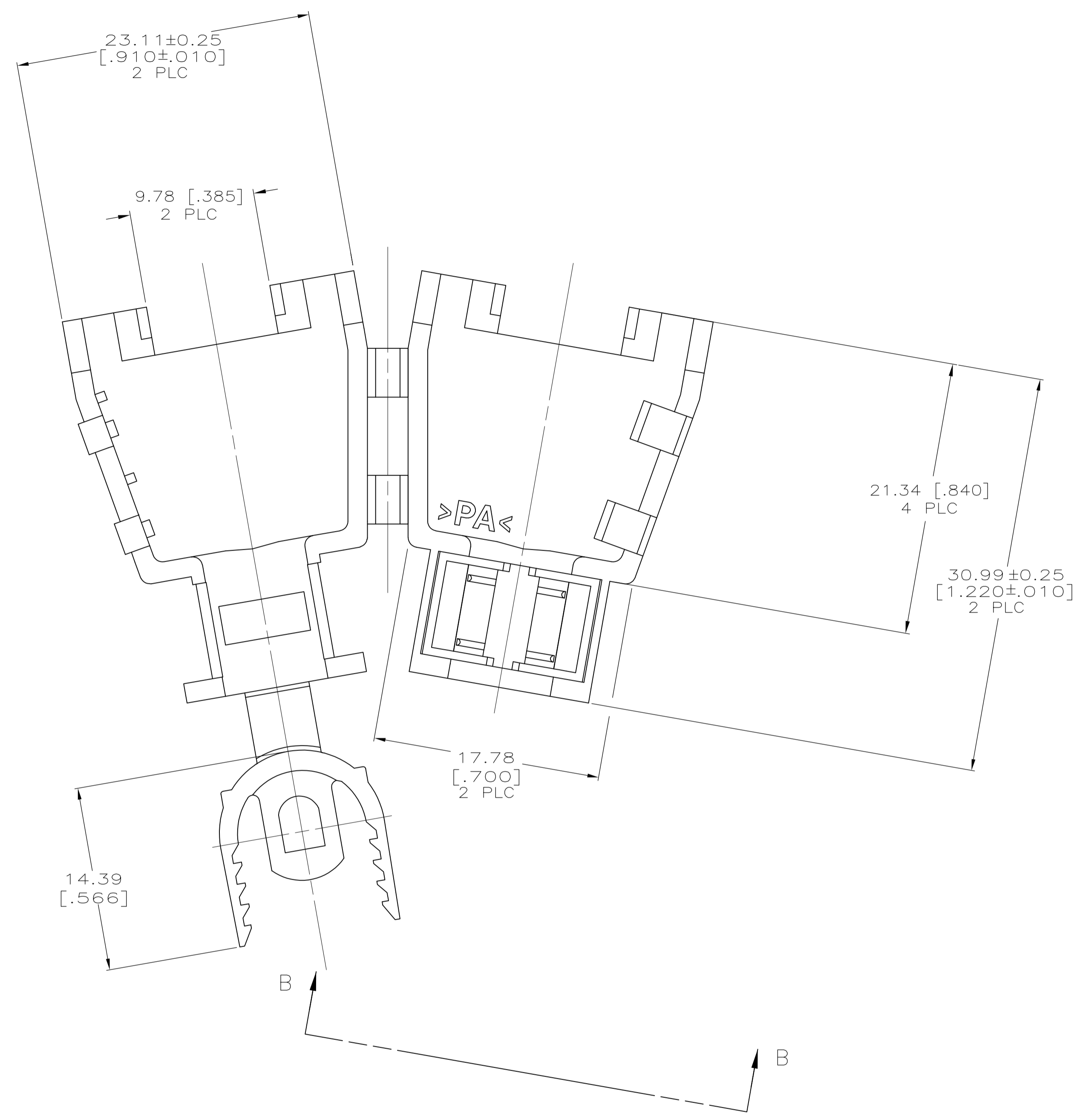
## Contact us

Tel: +86-755-8981 8866 Fax: +86-755-8427 6832

Email & Skype: info@chipsmall.com Web: www.chipsmall.com

Address: A1208, Overseas Decoration Building, #122 Zhenhua RD., Futian, Shenzhen, China





3-DIMENSIONAL MODEL NTS

1. DIMENSIONS IN BRACKETS ARE IN INCHES.  
 2. AMP LOGO MAY APPEAR ON ONE SIDE ONLY OR ON BOTH SIDES.

794423-1  
PART NUMBER



THIS DRAWING IS A CONTROLLED DOCUMENT.		OWN: S. HOOVER 15-OCT-2004	TE Connectivity
DIMENSIONS: mm (INCHES)		CHK: C. JONES 15-OCT-2004	
TOLERANCES UNLESS OTHERWISE SPECIFIED:		APVD: C. JONES 15-OCT-2004	NAME
0 PLC ±	1 PLC ±	PRODUCT SPEC	STRAIN RELIEF, HINGED, 6 POSITION, PLUG AND CAP, MINI UNIVERSAL MATE-N-LOK
2 PLC ± 0.13 [.005]	3 PLC ±	APPLICATION SPEC	RESTRICTED TO
4 PLC ±	ANGLES ±	WEIGHT	SIZE: A1
MATERIAL: NYLON UL94V-0	FINISH: COLOR - NATURAL	CUSTOMER DRAWING	CAGE CODE: 00779
		SCALE: 4:1	DRAWING NO: 794423
		SHEET: 1 OF 1	REV: B