



Chipsmall Limited consists of a professional team with an average of over 10 year of expertise in the distribution of electronic components. Based in Hongkong, we have already established firm and mutual-benefit business relationships with customers from,Europe,America and south Asia,supplying obsolete and hard-to-find components to meet their specific needs.

With the principle of “Quality Parts,Customers Priority,Honest Operation,and Considerate Service”,our business mainly focus on the distribution of electronic components. Line cards we deal with include Microchip,ALPS,ROHM,Xilinx,Pulse,ON,Everlight and Freescale. Main products comprise IC,Modules,Potentiometer,IC Socket,Relay,Connector.Our parts cover such applications as commercial,industrial, and automotives areas.

We are looking forward to setting up business relationship with you and hope to provide you with the best service and solution. Let us make a better world for our industry!



Contact us

Tel: +86-755-8981 8866 Fax: +86-755-8427 6832

Email & Skype: info@chipsmall.com Web: www.chipsmall.com

Address: A1208, Overseas Decoration Building, #122 Zhenhua RD., Futian, Shenzhen, China

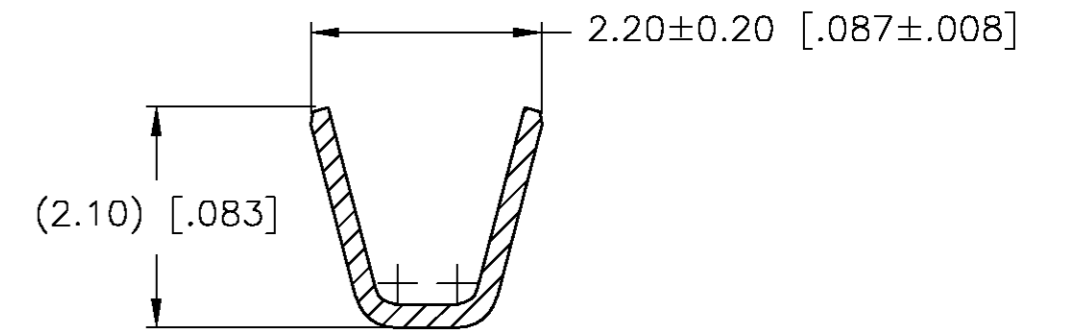
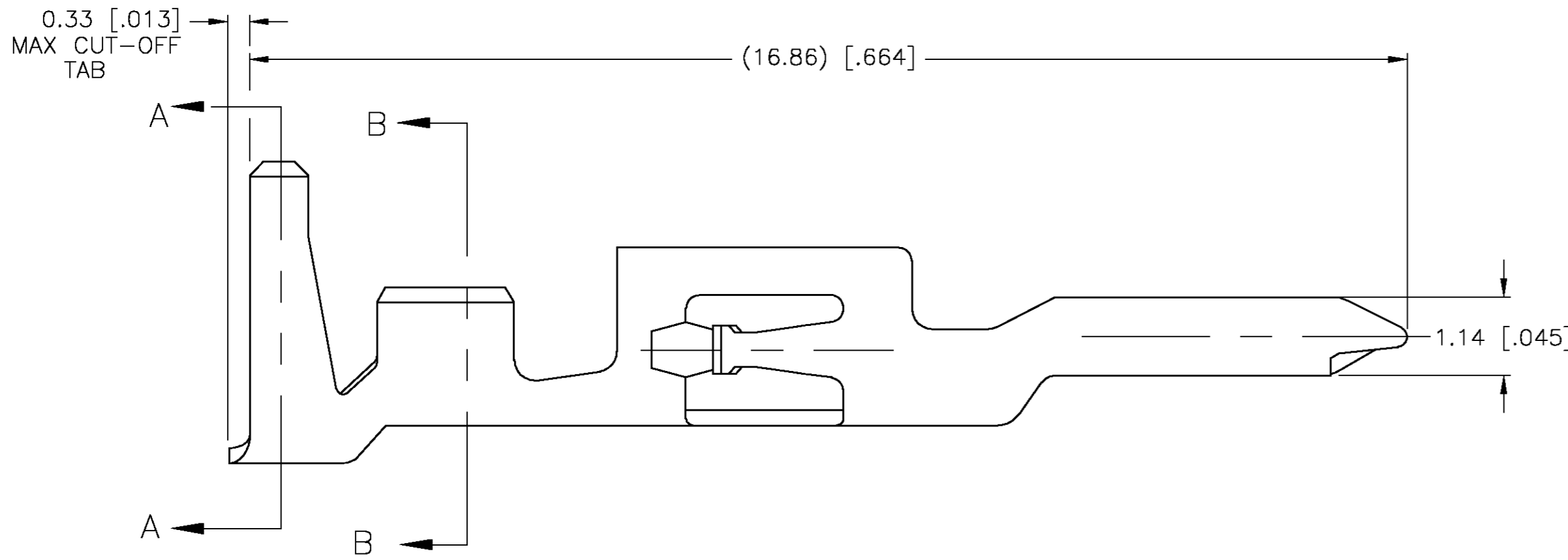
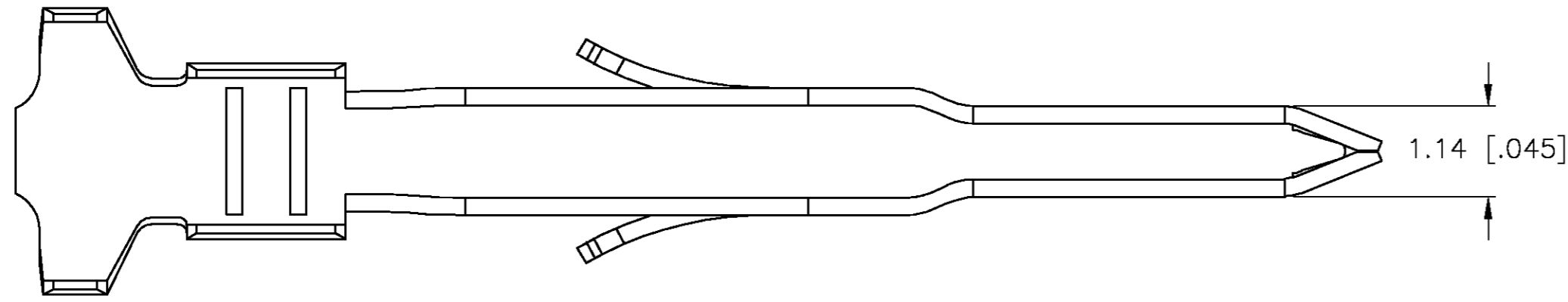


THIS DRAWING IS UNPUBLISHED. RELEASED FOR PUBLICATION
 © COPYRIGHT BY TYCO ELECTRONICS CORPORATION. ALL RIGHTS RESERVED.

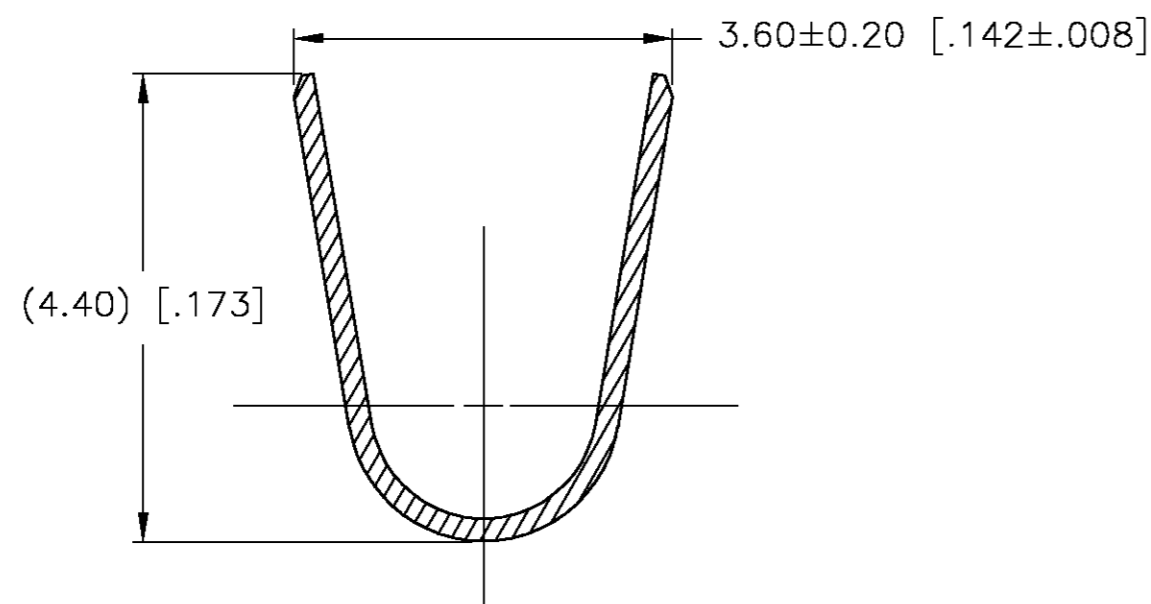
LOC	DIST	REVISIONS			
P	LTR	DESCRIPTION	DATE	DWN	APVD
CM	00	B	OG3B-0888-03	30-JAN-04	SH DC

△ 1 HAND TOOL PART NUMBER 734202-2

- 3. WIRE RANGE: 0.30-0.87mm² [.012-.034in²], (22-18 AWG).
- 4. INSULATION RANGE: 1.50-2.40 [.059-.094] DIAMETER.



SECTION B-B
SCALE 14:1



SECTION A-A
SCALE 14:1



794576-1	PRETINNED	0.22 [.009] PH. BRZ.	794577-1
STRIP (REF)	FINISH	MATERIAL	PART NUMBER

THIS DRAWING IS A CONTROLLED DOCUMENT.		DWN S. HOOVER 30-JAN-2004	Tyco Electronics Corporation Harrisburg, Pa 17105-3608	
DIMENSIONS: mm [INCHES]		CHK D. COLEY 30-JAN-2004	NAME	
TOLERANCES UNLESS OTHERWISE SPECIFIED:		APVD D. COLEY 30-JAN-2004	CONTACT, MALE, AMP-DUAC™ POWER CONNECTOR	
0 PLC ±		PRODUCT SPEC	SIZE	
1 PLC ±		108-1646	CAGE CODE	
2 PLC ± 0.10 [.004]		APPLICATION SPEC	DRAWING NO	
3 PLC ±		114-6067	RESTRICTED TO	
4 PLC ±		WEIGHT	SCALE	
ANGLES ±		SEE CHART	14:1	
FINISH		SEE CHART	SHEET	
MATERIAL		SEE CHART	1 OF 1	
SEE CHART		CUSTOMER DRAWING	REV	
			B	