



Chipsmall Limited consists of a professional team with an average of over 10 year of expertise in the distribution of electronic components. Based in Hongkong, we have already established firm and mutual-benefit business relationships with customers from,Europe,America and south Asia,supplying obsolete and hard-to-find components to meet their specific needs.

With the principle of “Quality Parts,Customers Priority,Honest Operation,and Considerate Service”,our business mainly focus on the distribution of electronic components. Line cards we deal with include Microchip,ALPS,ROHM,Xilinx,Pulse,ON,Everlight and Freescale. Main products comprise IC,Modules,Potentiometer,IC Socket,Relay,Connector.Our parts cover such applications as commercial,industrial, and automotives areas.

We are looking forward to setting up business relationship with you and hope to provide you with the best service and solution. Let us make a better world for our industry!



Contact us

Tel: +86-755-8981 8866 Fax: +86-755-8427 6832

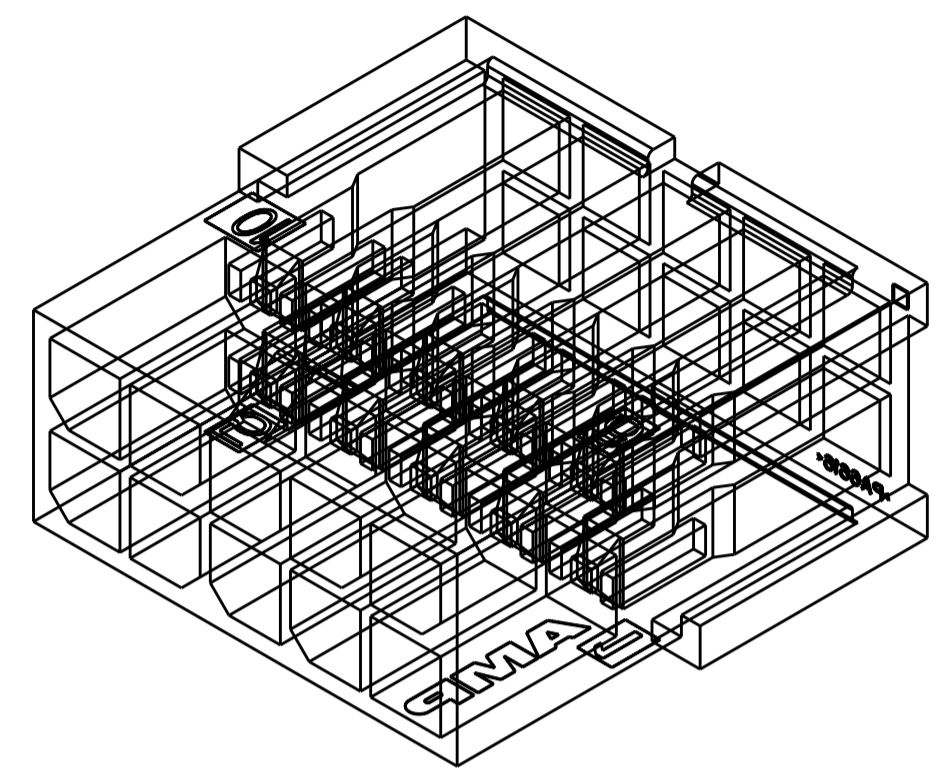
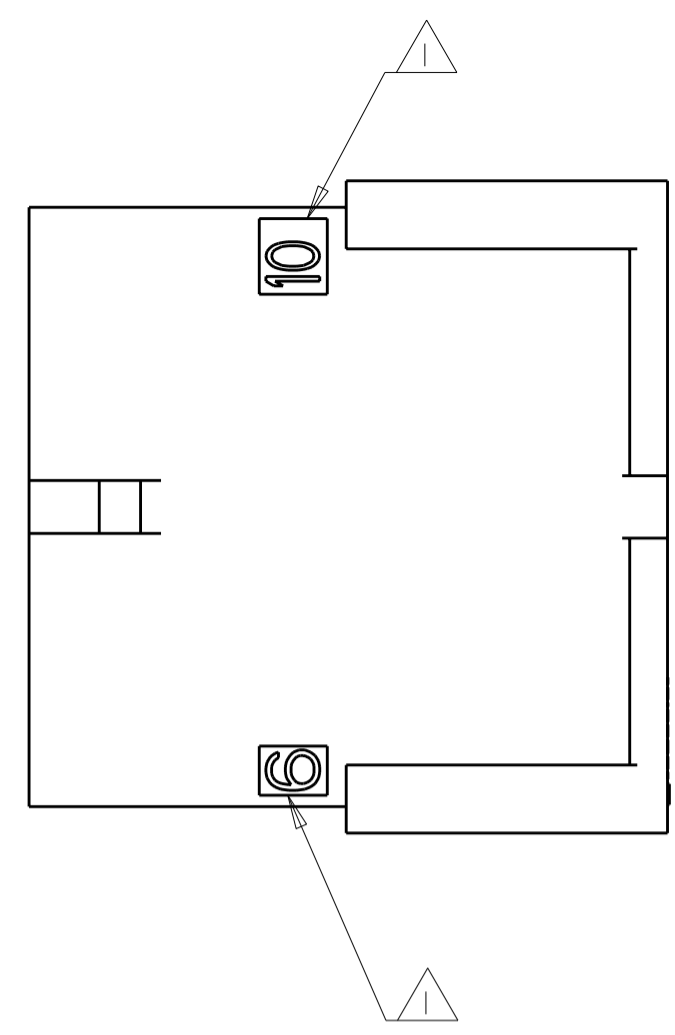
Email & Skype: info@chipsmall.com Web: www.chipsmall.com

Address: A1208, Overseas Decoration Building, #122 Zhenhua RD., Futian, Shenzhen, China

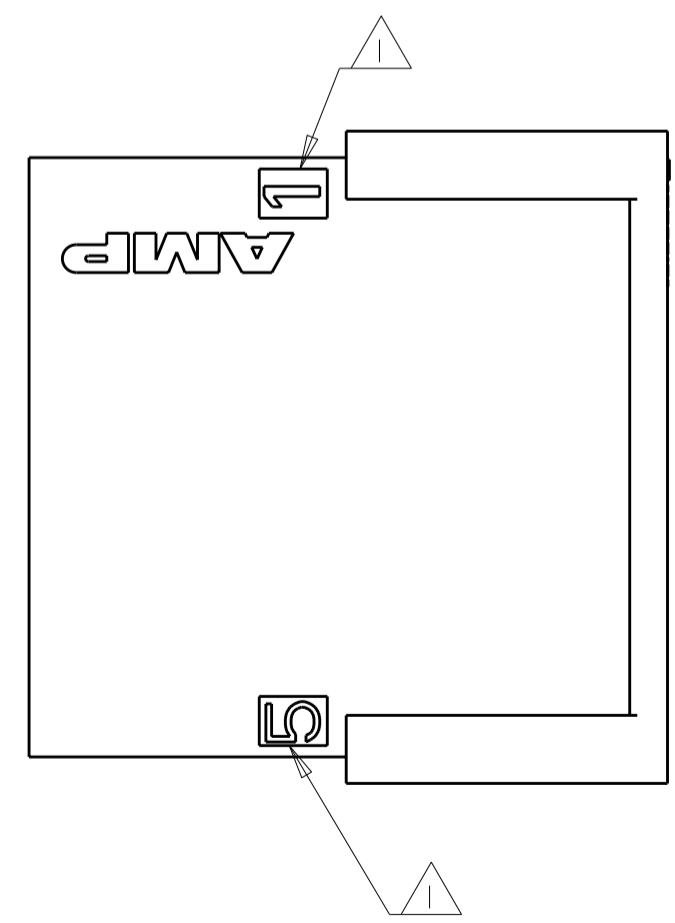
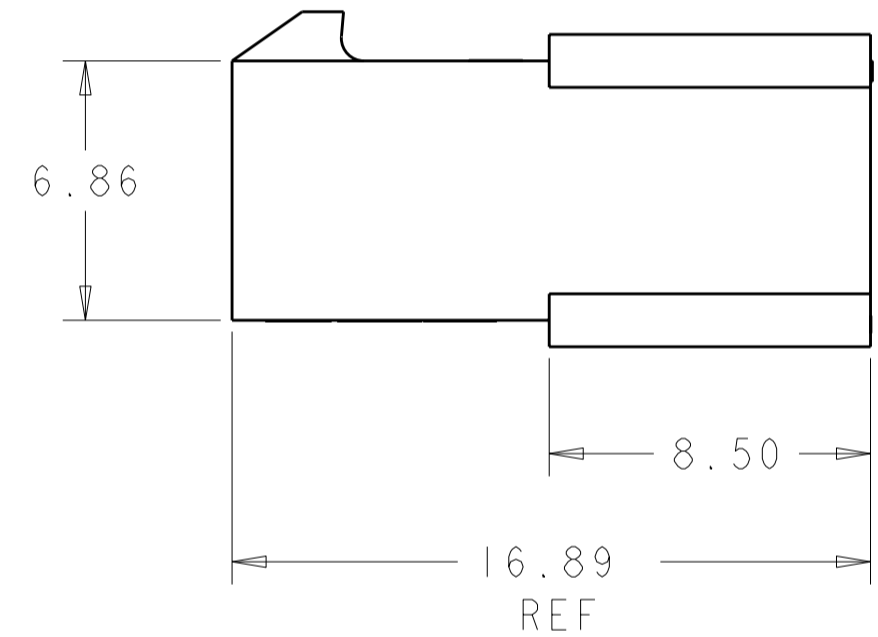
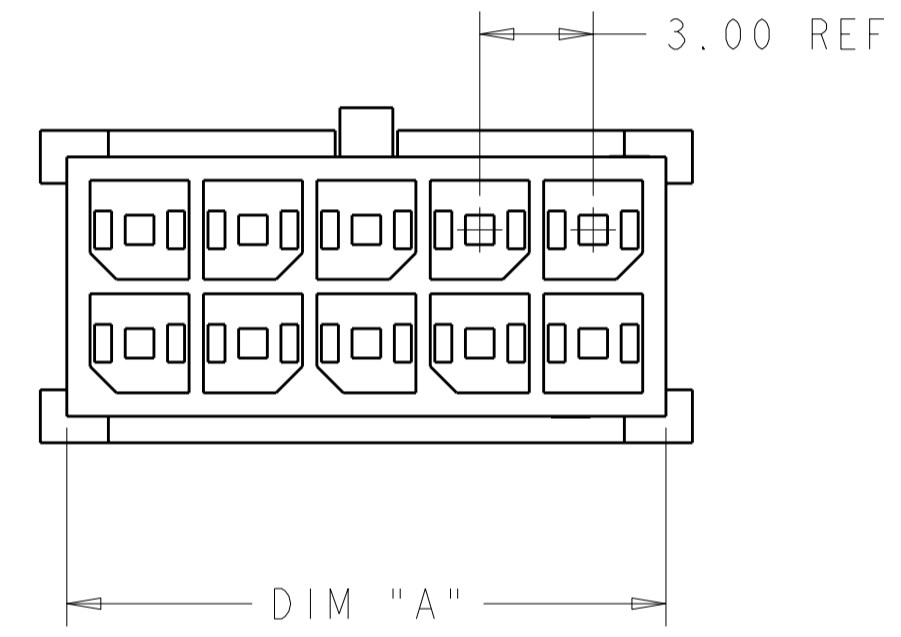


THIS DRAWING IS UNPUBLISHED. RELEASED FOR PUBLICATION 20
 © COPYRIGHT 20 BY - ALL RIGHTS RESERVED.

LOC	DIST	REVISIONS			
P	LTR	DESCRIPTION	DATE	DWN	APVD
CM	00				
P		REVISED PER ECO-11-005027	14MAR2011	RK	HMR



SCALE 5:1



△ CIRCUIT IDENTIFIERS LOCATED APPROXIMATELY AS SHOWN.

36.85	24	2-794616-4
33.85	22	2-794616-2
30.85	20	2-794616-0
27.85	18	1-794616-8
24.85	16	1-794616-6
21.85	14	1-794616-4
18.85	12	1-794616-2
15.85	10	1-794616-0
12.85	8	794616-8
9.85	6	794616-6
6.85	4	794616-4
3.85	2	794616-2
DIM A	NO. OF POS.	PART NUMBER



THIS DRAWING IS A CONTROLLED DOCUMENT.

DWN	W J RUDY	29AUG2000
CHK	W DAVIS	29AUG2000
APVD	W DAVIS	29AUG2000

TE Connectivity

NAME: PLUG HOUSING, 2 TO 24 POSITION
DUAL ROW, FREE HANGING,
MICRO MATE-N-LOK(TM)

SIZE	A2	CAGE CODE	00779	DRAWING NO	794616	RESTRICTED TO	-
SCALE	5:1	SHEET	1	OF	1	REV	P

MATERIAL: NYLON, UL94V-0, BLACK

TOLERANCES UNLESS OTHERWISE SPECIFIED:
 0 PLC ±
 1 PLC ±
 2 PLC ±0.13
 3 PLC ±
 4 PLC ±
 ANGLES ±
 FINISH

PRODUCT SPEC: -
 APPLICATION SPEC: -
 WEIGHT: -

CUSTOMER DRAWING