



Chipsmall Limited consists of a professional team with an average of over 10 year of expertise in the distribution of electronic components. Based in Hongkong, we have already established firm and mutual-benefit business relationships with customers from,Europe,America and south Asia,supplying obsolete and hard-to-find components to meet their specific needs.

With the principle of “Quality Parts,Customers Priority,Honest Operation,and Considerate Service”,our business mainly focus on the distribution of electronic components. Line cards we deal with include Microchip,ALPS,ROHM,Xilinx,Pulse,ON,Everlight and Freescale. Main products comprise IC,Modules,Potentiometer,IC Socket,Relay,Connector.Our parts cover such applications as commercial,industrial, and automotives areas.

We are looking forward to setting up business relationship with you and hope to provide you with the best service and solution. Let us make a better world for our industry!



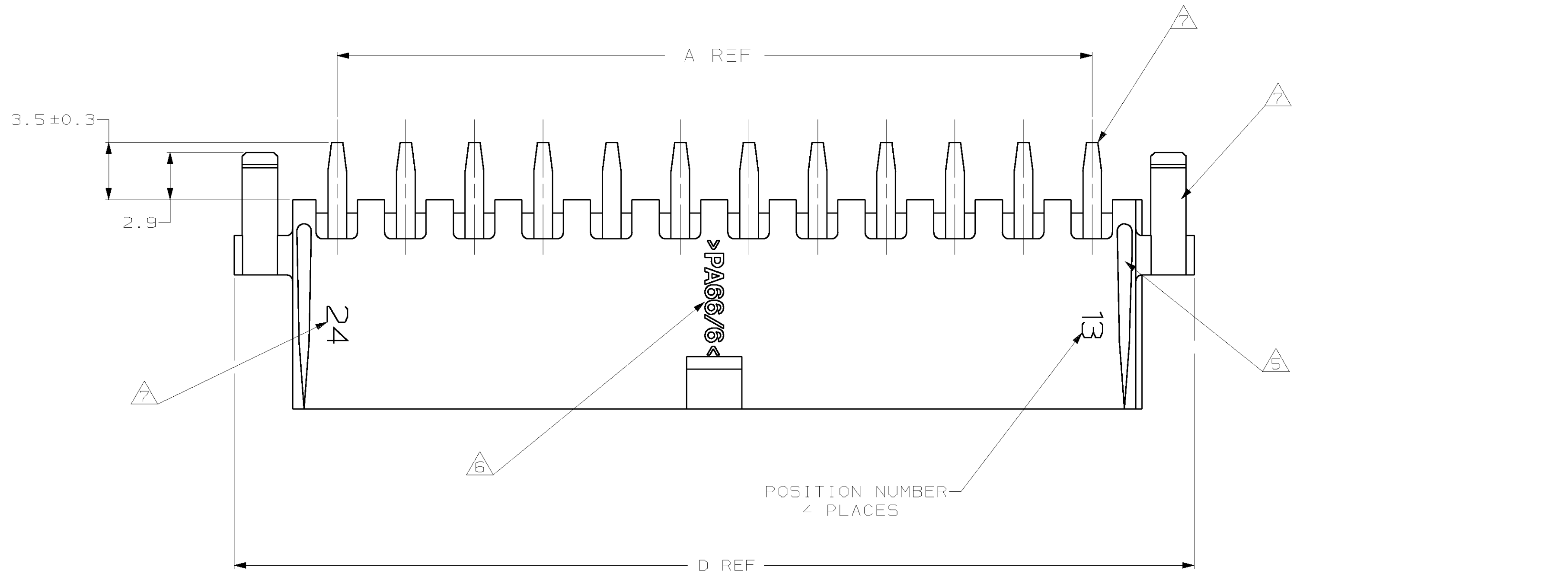
Contact us

Tel: +86-755-8981 8866 Fax: +86-755-8427 6832

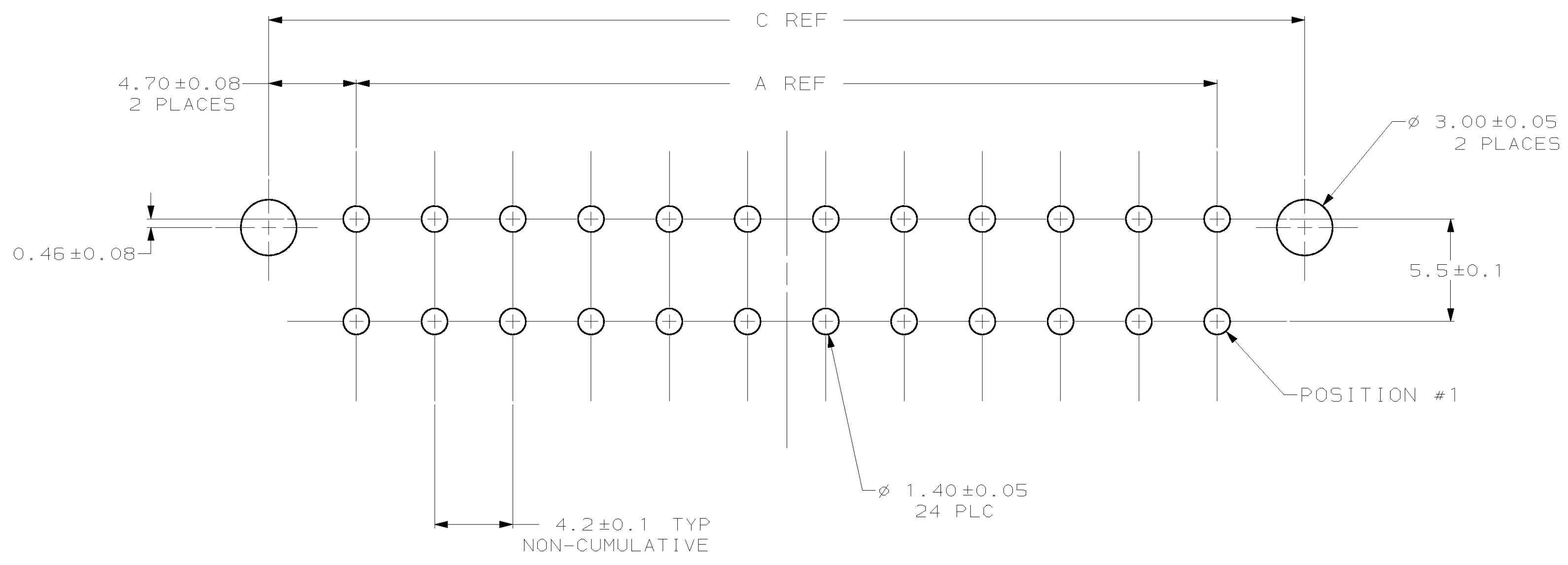
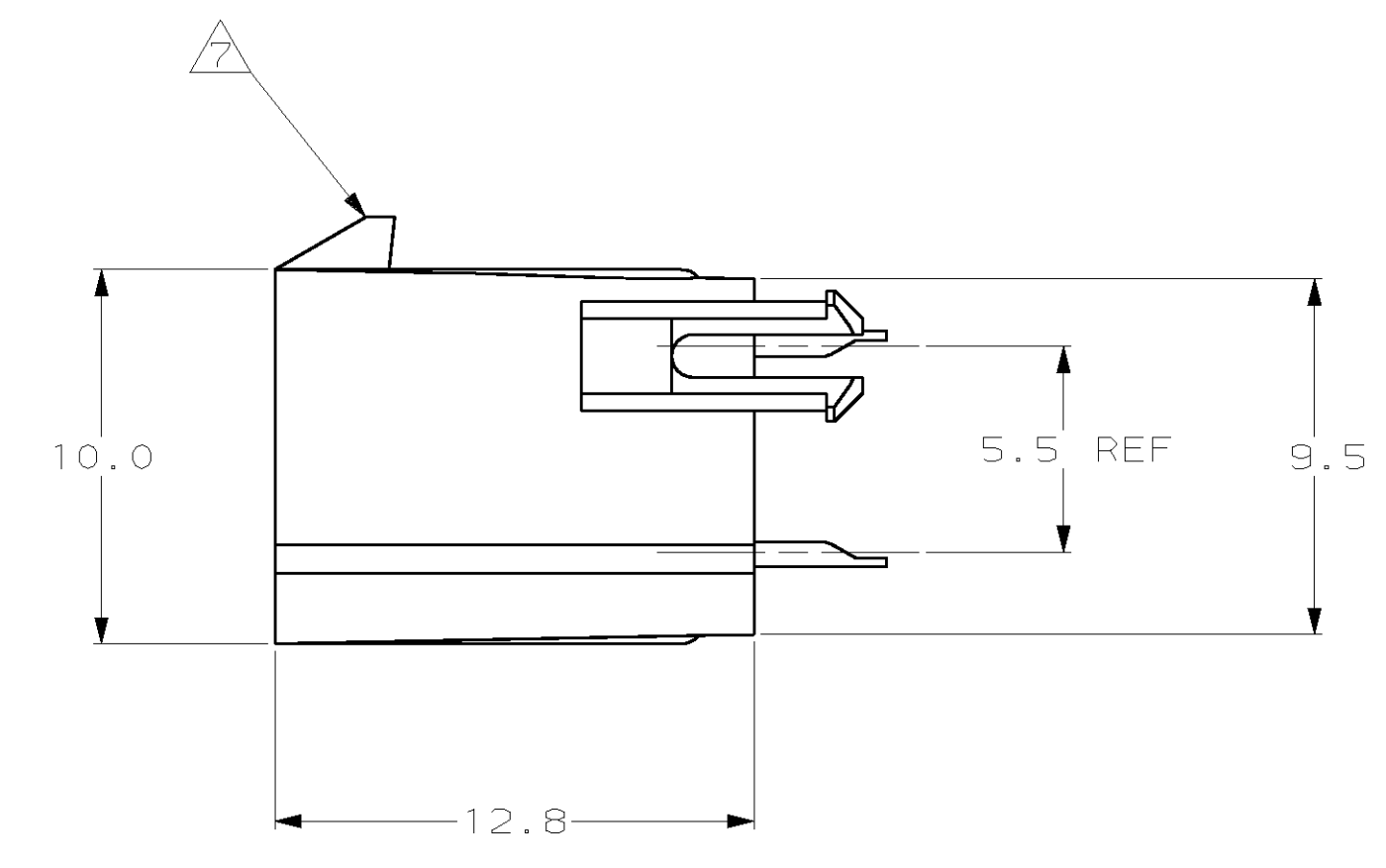
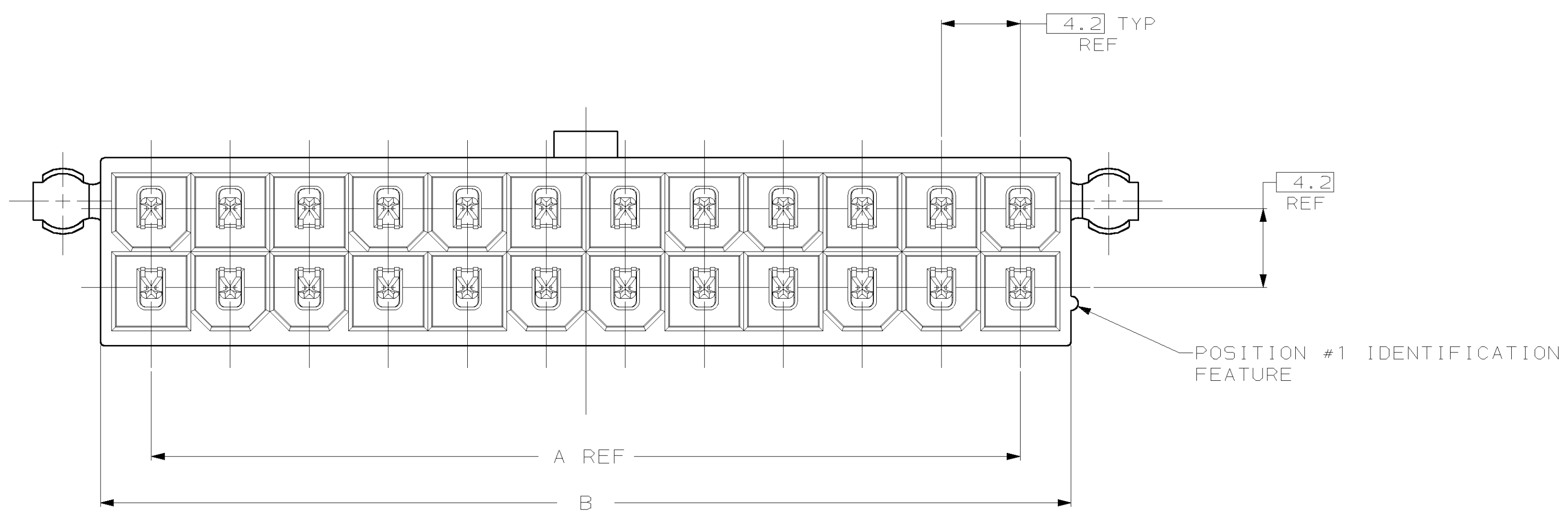
Email & Skype: info@chipsmall.com Web: www.chipsmall.com

Address: A1208, Overseas Decoration Building, #122 Zhenhua RD., Futian, Shenzhen, China





- 1 MATERIAL: HOUSING - NYLON, UL94V-0 (COLOR - WHITE, COLOR OF PARTS MAY VARY). CONTACTS - 0.25 THK COPPER ALLOY.
- 2 CONTACT FINISH: 0.003 MIN THK TIN-LEAD OVER 0.00127 MIN THK NICKEL OVER ENTIRE CONTACT.
- 3. SOLDER TAIL MEETS AMP SOLDERABILITY SPECIFICATION 109-11-2.
- 4. MATES WITH SIMILARLY PLATED AMP-DUAC™ POWER CONNECTOR RECEPTACLE HOUSINGS/SOCKET CONTACTS.
- 5 RIBS ON FOUR CORNERS OPTIONAL.
- 6 AMP LOGO AND MATERIAL ID MAY BE LOCATED ON EITHER LONG SIDE OF PART.
- 7 SIZE, SHAPE OR STYLE OF THIS FEATURE MAY VARY.



RECOMMENDED MOUNTING HOLE PATTERN FOR 1.78 MAX THICK P.C. BOARD COMPONENT SIDE SHOWN

58.8	55.6	51.6	46.2	24	2-794666-4
54.6	51.4	47.4	42.0	22	2-794666-2
50.4	47.2	43.2	37.8	20	2-794666-0
46.2	43.0	39.0	33.6	18	1-794666-8
42.0	38.8	34.8	29.4	16	1-794666-6
37.8	34.6	30.6	25.2	14	1-794666-4
33.6	30.4	26.4	21.0	12	1-794666-2
29.4	26.2	22.2	16.8	10	1-794666-0
25.2	22.0	18.0	12.6	8	794666-8
21.0	17.8	13.8	8.4	6	794666-6
16.8	13.6	9.6	4.2	4	794666-4
12.6	9.4	5.4	0.0	2	794666-2
D	C	B	A	NO. OF POSITIONS	PART NO



THIS DRAWING IS A CONTROLLED DOCUMENT.

DW	A. HOLT	12 MAY 99
CHK	C. CASH	12 MAY 99
APPV	C. CASH	12 MAY 99

AMP Incorporated
Harrisburg, PA 17105-3608

NAME: ASSEMBLY, HEADER, VERTICAL, TIN-LEAD PLATED, W/PEGS, W/O DRAIN HOLES, 94V-0, AMP-DUAC™ POWER CONNECTOR

PRODUCT SPEC: 108-1699

APPLICATION SPEC: -

SIZE: A1 007799

SCALE: 5:1

SHEET: 1 OF 1

REV: 0

CUSTOMER DRAWING