



Chipsmall Limited consists of a professional team with an average of over 10 year of expertise in the distribution of electronic components. Based in Hongkong, we have already established firm and mutual-benefit business relationships with customers from,Europe,America and south Asia,supplying obsolete and hard-to-find components to meet their specific needs.

With the principle of “Quality Parts,Customers Priority,Honest Operation,and Considerate Service”,our business mainly focus on the distribution of electronic components. Line cards we deal with include Microchip,ALPS,ROHM,Xilinx,Pulse,ON,Everlight and Freescale. Main products comprise IC,Modules,Potentiometer,IC Socket,Relay,Connector.Our parts cover such applications as commercial,industrial, and automotives areas.

We are looking forward to setting up business relationship with you and hope to provide you with the best service and solution. Let us make a better world for our industry!



Contact us

Tel: +86-755-8981 8866 Fax: +86-755-8427 6832

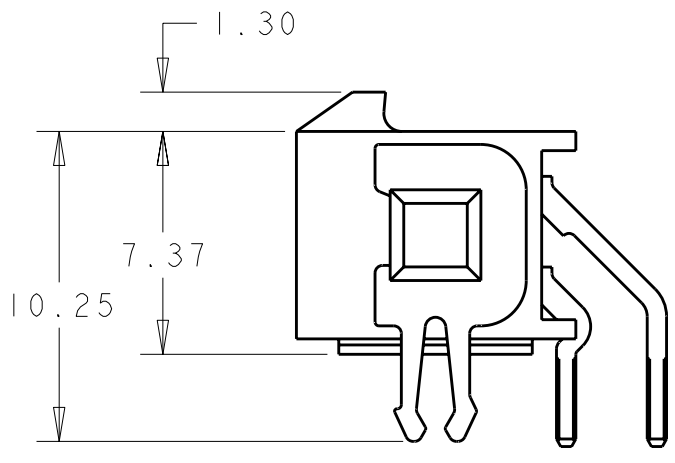
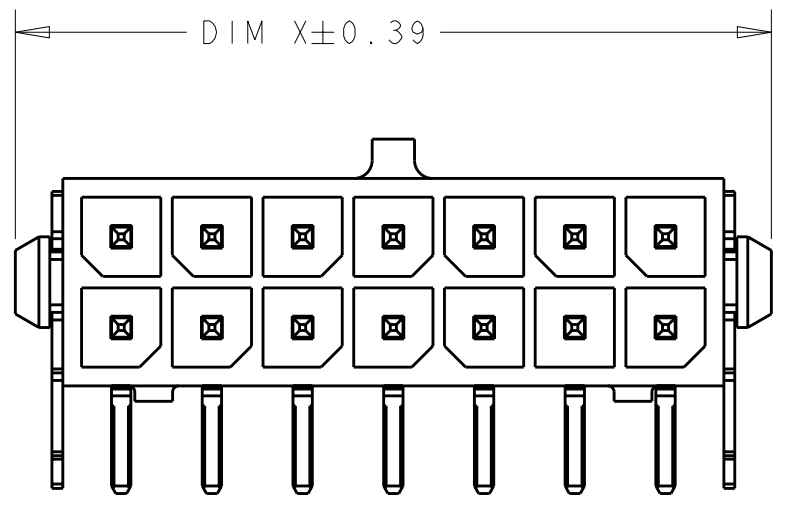
Email & Skype: info@chipsmall.com Web: www.chipsmall.com

Address: A1208, Overseas Decoration Building, #122 Zhenhua RD., Futian, Shenzhen, China

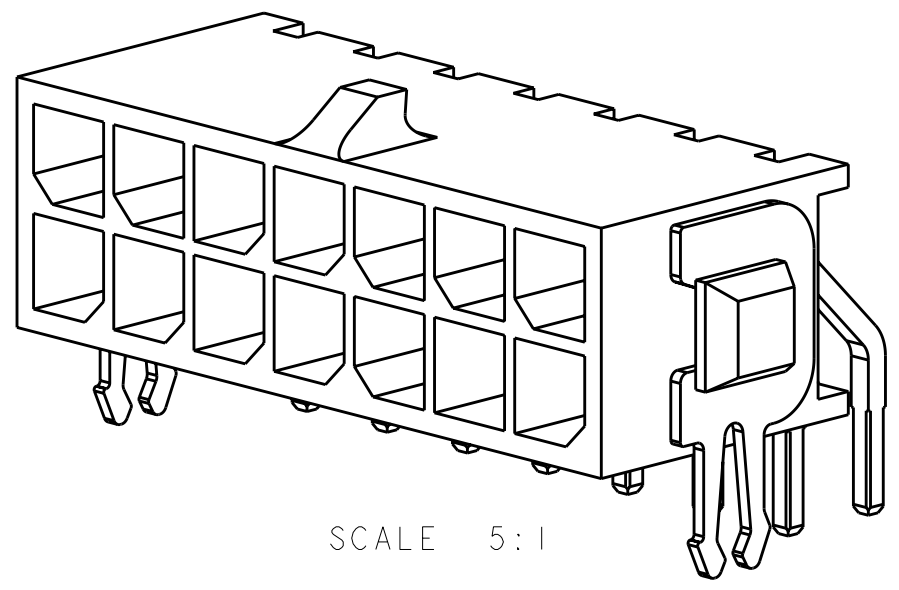
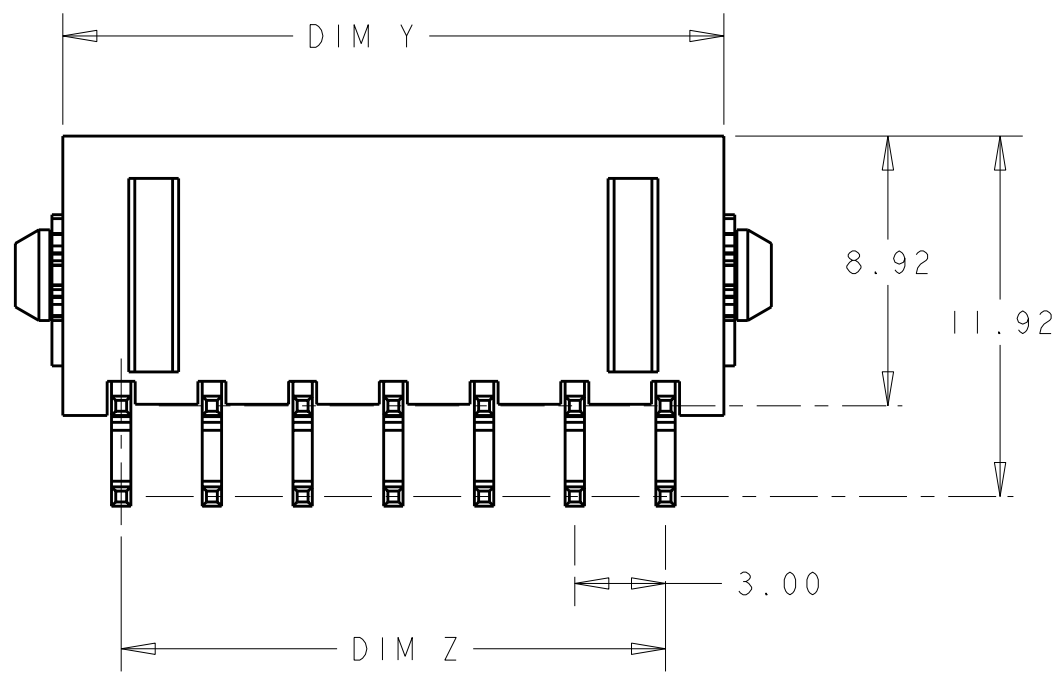


THIS DRAWING IS UNPUBLISHED. RELEASED FOR PUBLICATION 20
 © COPYRIGHT 20 BY - ALL RIGHTS RESERVED.

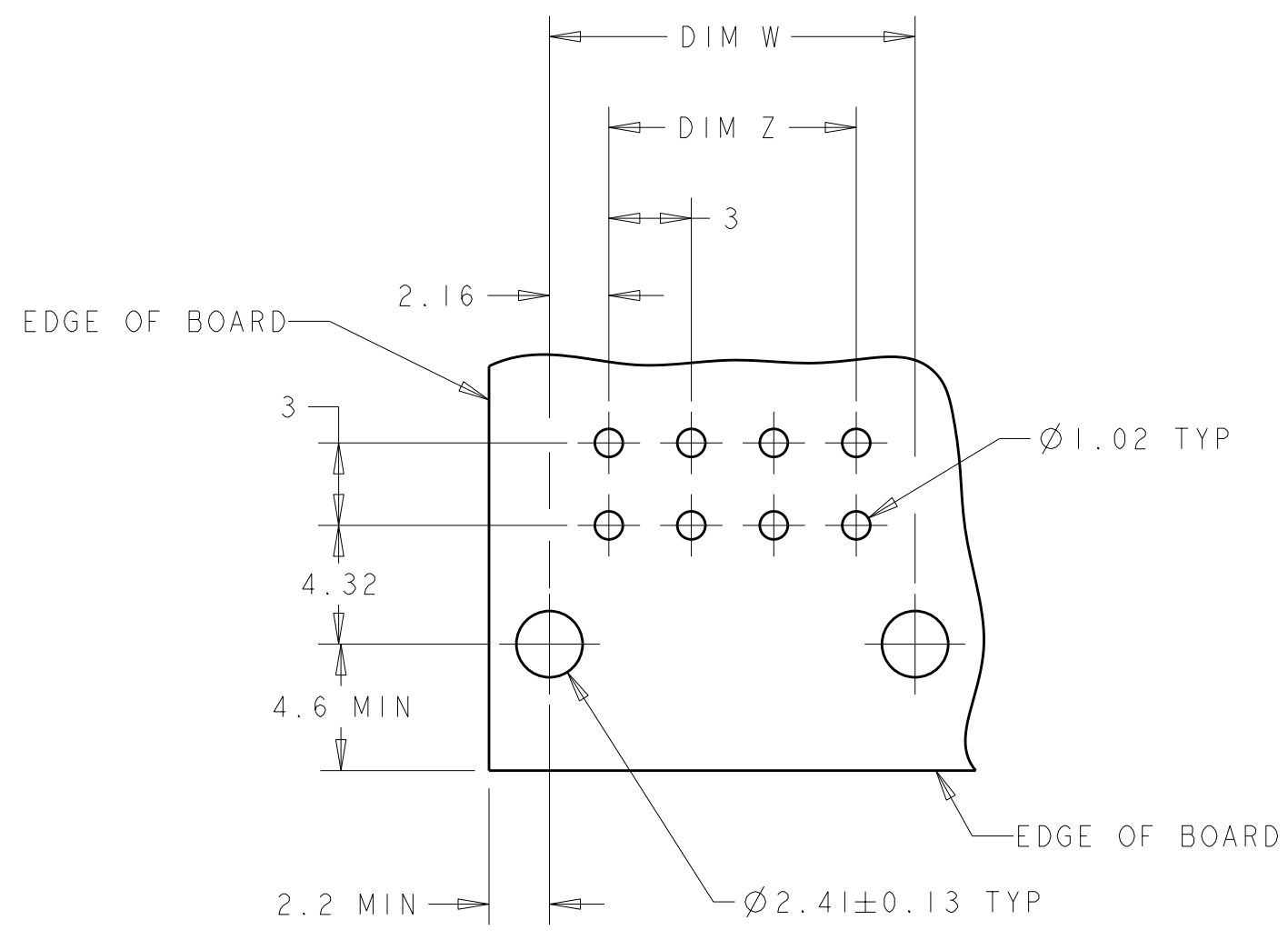
LOC	DIST	REVISIONS					
CM	00	P	LTR	DESCRIPTION	DATE	DWN	APVD
			FI	REVISED PER ECO-11-005027	17MAR2011	RK	HMR



- 1 MATERIAL;
CONTACTS - BRASS.
HOUSING - UL 94V-0 RATED HIGH TEMP NYLON, COLOR; BLACK.
- 2 PLATING;
CONTACTS - 0.38µm MINIMUM GOLD OVER 2.54µm MINIMUM NICKEL ON MATING AREA. 2.54µm TIN-LEAD MINIMUM OVER 2.54µm NICKEL MINIMUM ON SOLDER TAILS.
HOLDDOWNS - 2.54µm TIN-LEAD MINIMUM OVER 2.54µm NICKEL
- 4 RECOMMENDED PC BOARD THICKNESS OF 1.57.
- 5 PLATING;
CONTACTS - 0.38µm MINIMUM GOLD OVER 2.54µm MINIMUM NICKEL ON MATING AREA. 2.54µm MATTE TIN MINIMUM OVER 2.54µm NICKEL MINIMUM ON SOLDER TAILS.
HOLDDOWNS - 2.54µm MATTE TIN MINIMUM OVER 2.54µm NICKEL



5	36.86	37.30	33.00	40.00	24	5-794678-4
5	33.86	34.30	30.00	37.00	22	5-794678-2
5	30.86	31.30	27.00	34.00	20	5-794678-0
5	27.86	28.30	24.00	31.00	18	4-794678-8
5	24.86	25.30	21.00	28.00	16	4-794678-6
5	21.86	22.30	18.00	25.00	14	4-794678-4
5	18.86	19.30	15.00	22.00	12	4-794678-2
5	15.86	16.30	12.00	19.00	10	4-794678-0
5	12.86	13.30	9.00	16.00	8	3-794678-8
5	9.86	10.30	6.00	13.00	6	3-794678-6
5	6.86	7.30	3.00	10.00	4	3-794678-4
5	3.86	4.30	-	7.00	2	3-794678-2
2	36.86	37.30	33.00	40.00	24	2-794678-4
2	33.86	34.30	30.00	37.00	22	2-794678-2
2	30.86	31.30	27.00	34.00	20	2-794678-0
2	27.86	28.30	24.00	31.00	18	1-794678-8
2	24.86	25.30	21.00	28.00	16	1-794678-6
2	21.86	22.30	18.00	25.00	14	1-794678-4
2	18.86	19.30	15.00	22.00	12	1-794678-2
2	15.86	16.30	12.00	19.00	10	1-794678-0
2	12.86	13.30	9.00	16.00	8	794678-8
2	9.86	10.30	6.00	13.00	6	794678-6
2	6.86	7.30	3.00	10.00	4	794678-4
2	3.86	4.30	-	7.00	2	794678-2
FINISH	DIM Y	DIM W	DIM Z	DIM X	NO. OF POSN.	PART NUMBER



RECOMMENDED PCB LAYOUT (COMPONENT SIDE) 4



THIS DRAWING IS A CONTROLLED DOCUMENT.

DWN B. HAYMAKER 12AUG99
 CHK K. COBLE 12AUG99
 APVD K. COBLE 12AUG99

TE Connectivity

NAME THRU-HOLE, RIGHT ANGLE, 15 GOLD HEADER, MECHANICAL BOARDLOCK, DUAL ROW, MICRO MATE MATE-N-LOK™

SIZE A2 CAGE CODE 0779 DRAWING NO. 794678

SCALE 4:1 SHEET OF REV FI

SEE TABLE

CUSTOMER DRAWING