



Chipsmall Limited consists of a professional team with an average of over 10 year of expertise in the distribution of electronic components. Based in Hongkong, we have already established firm and mutual-benefit business relationships with customers from,Europe,America and south Asia,supplying obsolete and hard-to-find components to meet their specific needs.

With the principle of “Quality Parts,Customers Priority,Honest Operation,and Considerate Service”,our business mainly focus on the distribution of electronic components. Line cards we deal with include Microchip,ALPS,ROHM,Xilinx,Pulse,ON,Everlight and Freescale. Main products comprise IC,Modules,Potentiometer,IC Socket,Relay,Connector.Our parts cover such applications as commercial,industrial, and automotives areas.

We are looking forward to setting up business relationship with you and hope to provide you with the best service and solution. Let us make a better world for our industry!



## Contact us

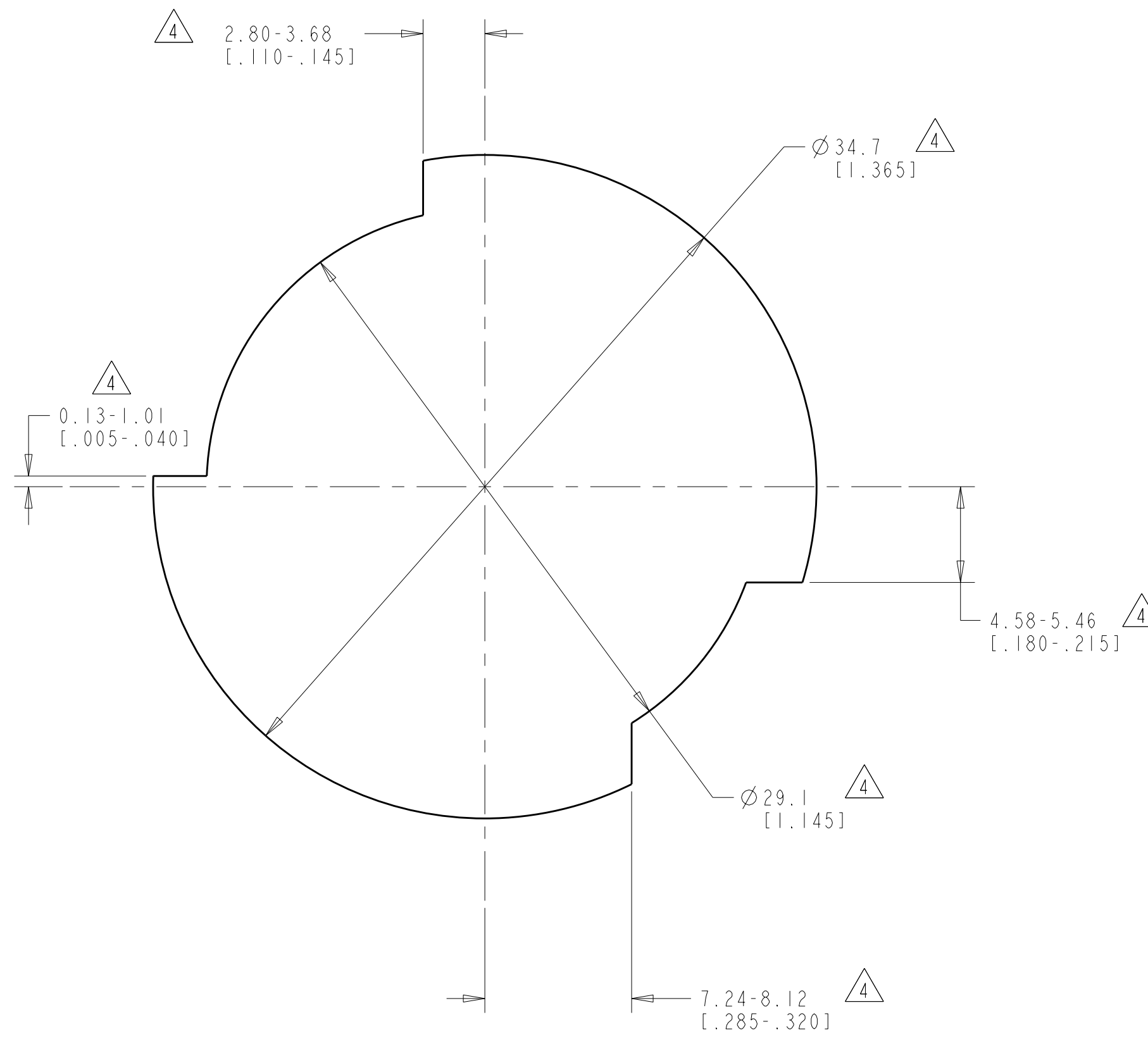
Tel: +86-755-8981 8866 Fax: +86-755-8427 6832

Email & Skype: info@chipsmall.com Web: www.chipsmall.com

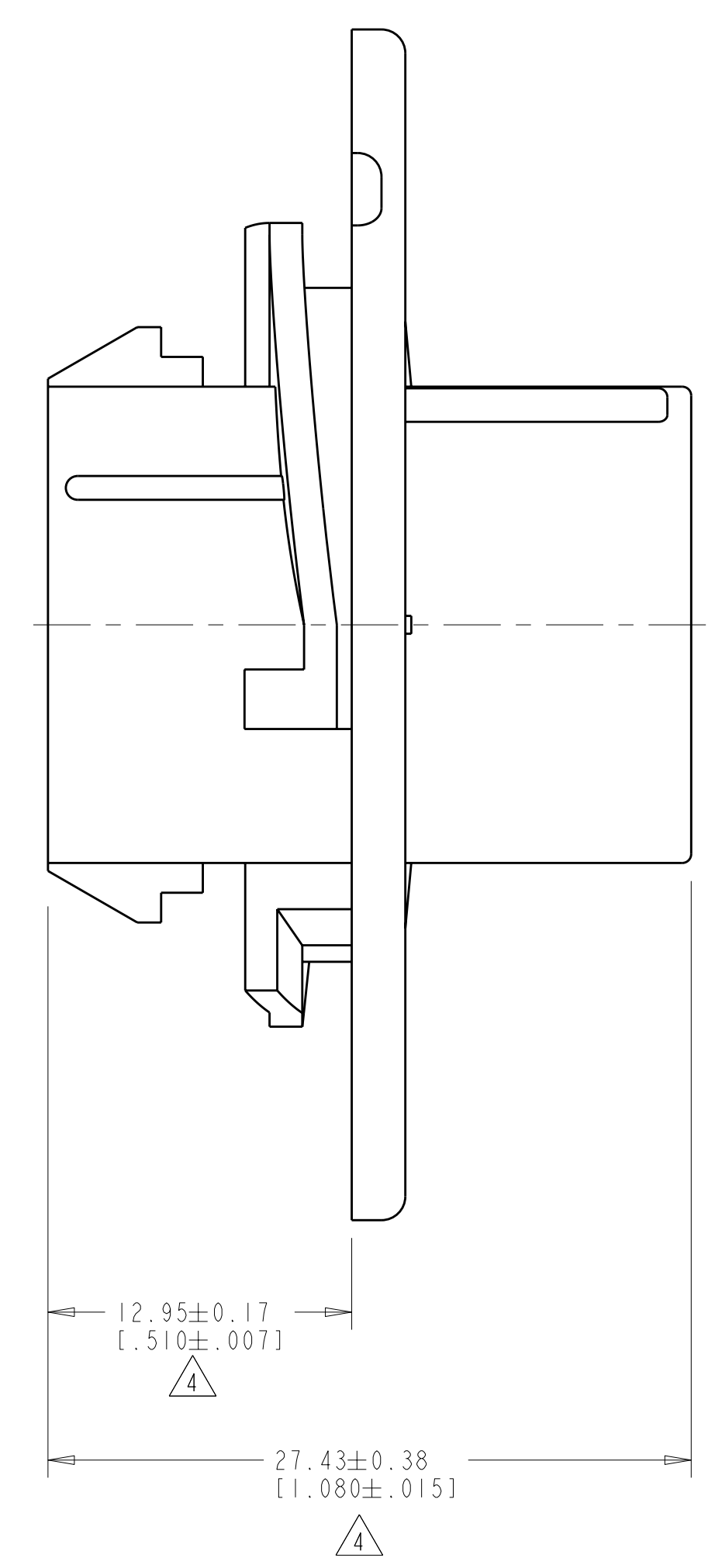
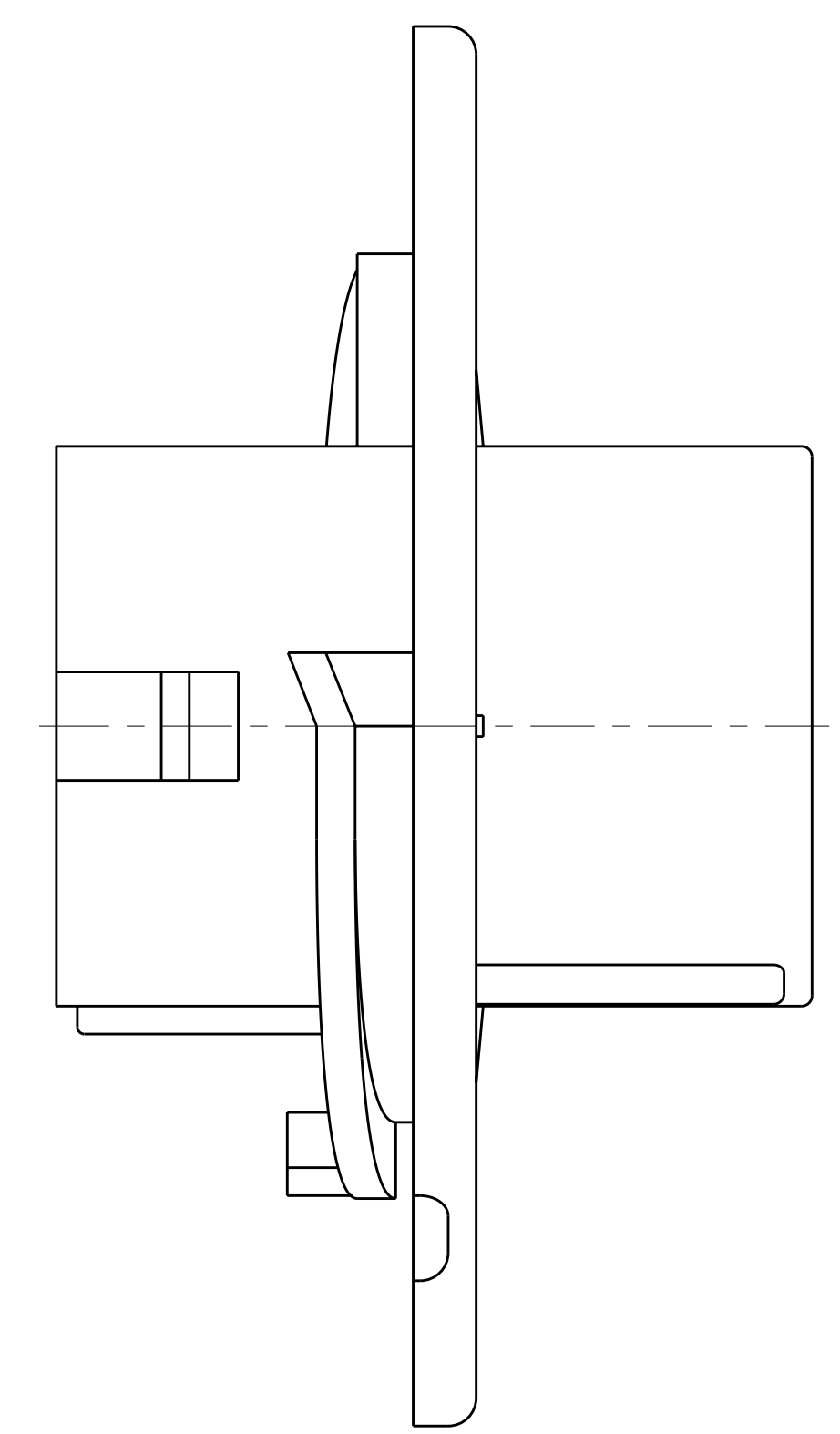
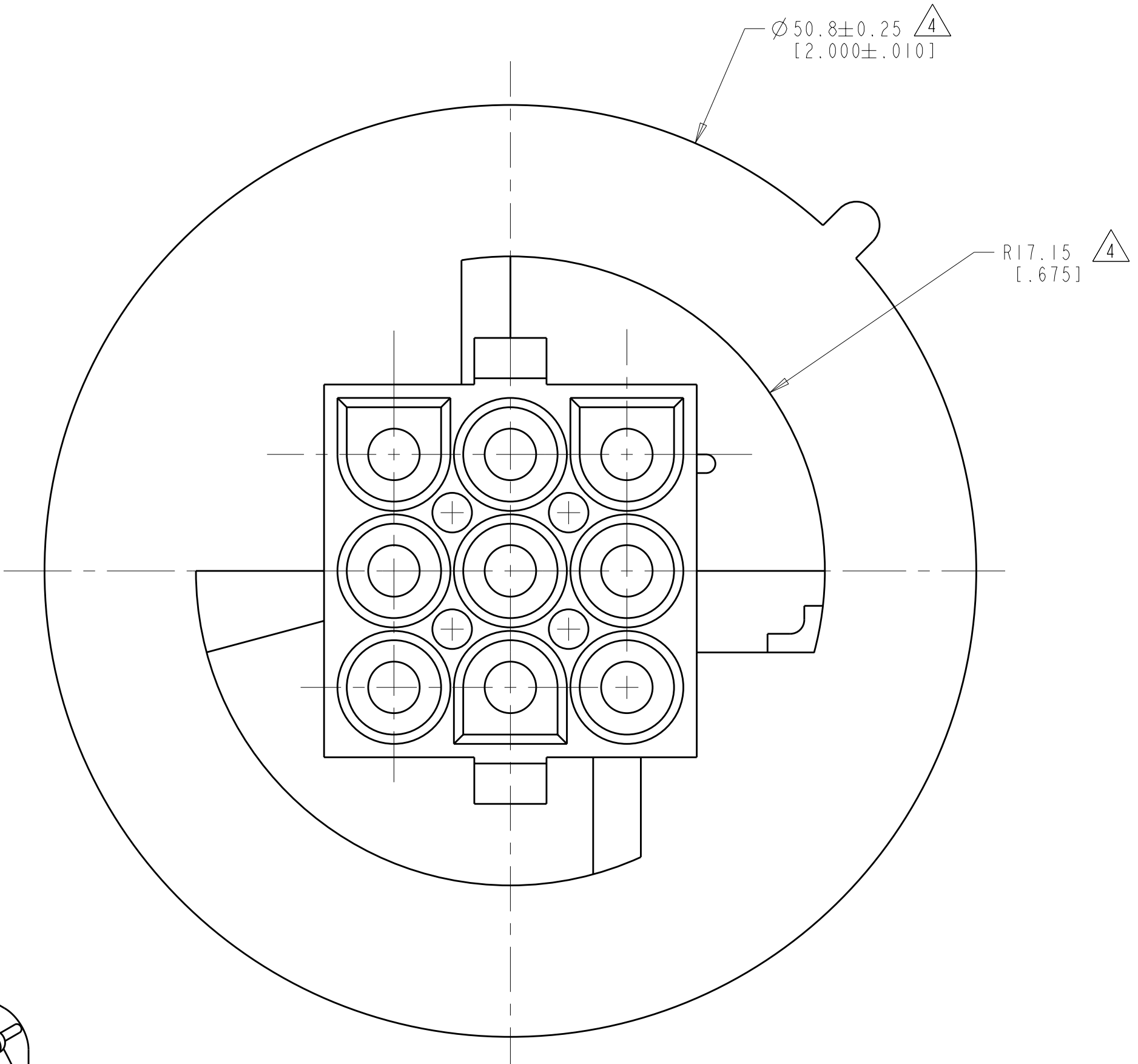
Address: A1208, Overseas Decoration Building, #122 Zhenhua RD., Futian, Shenzhen, China



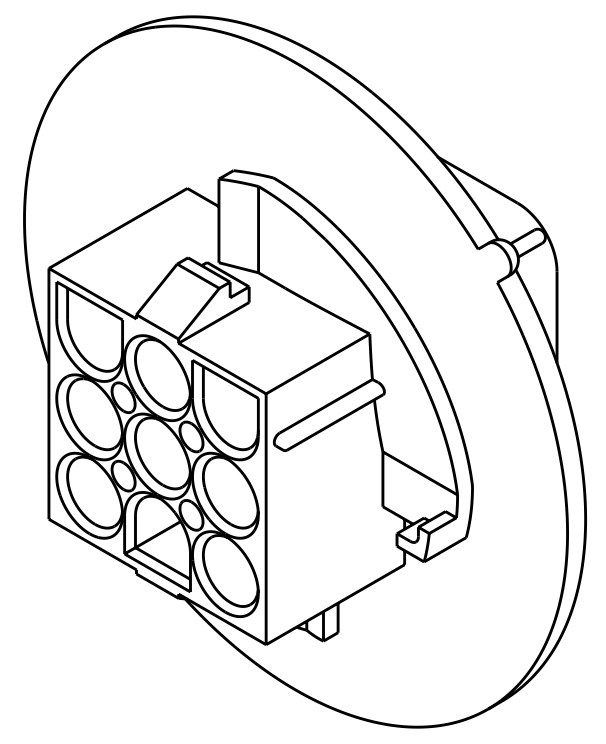
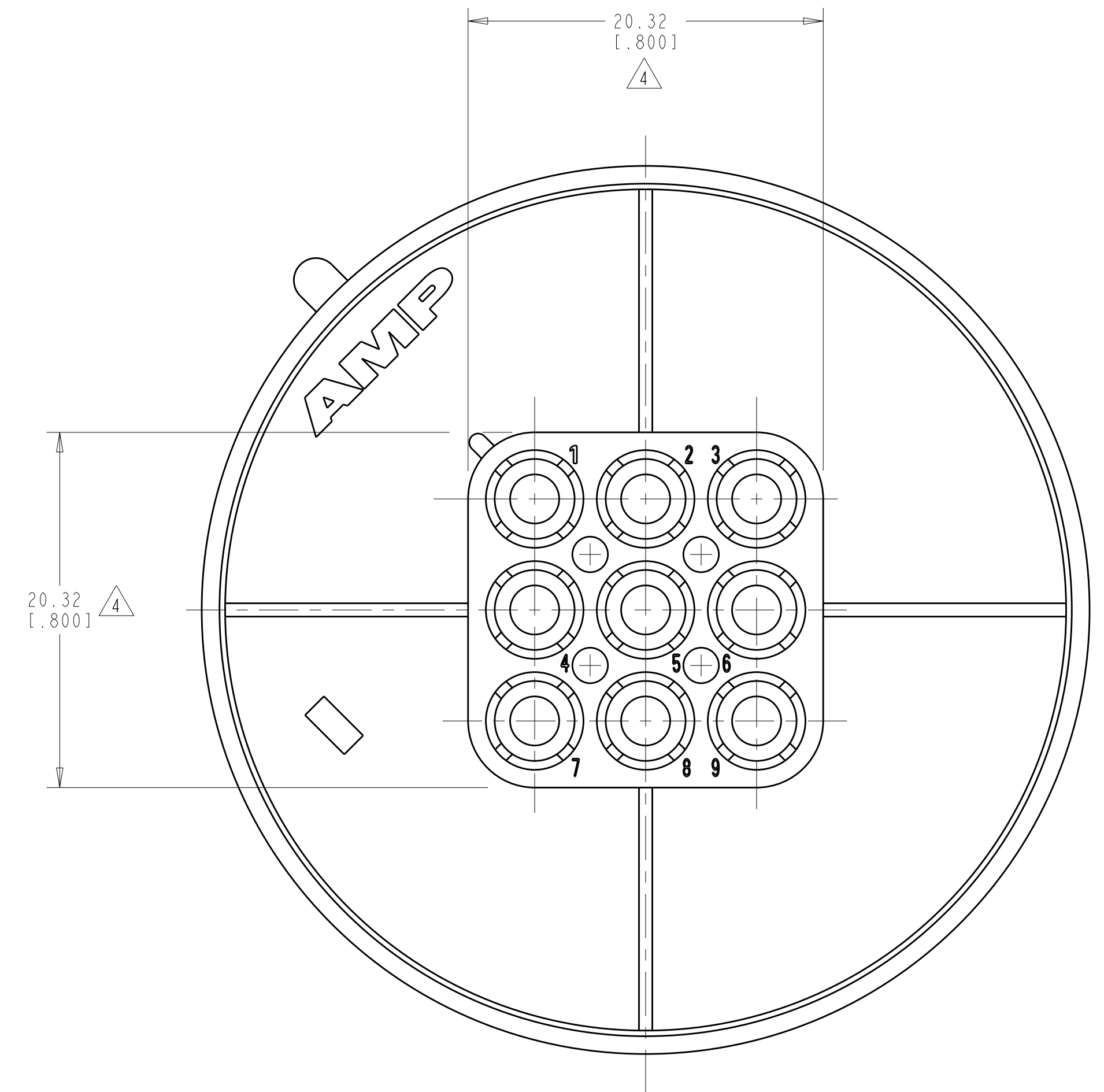
LOC	DIST	REV	DATE	BY	CHK	APPV	DESCRIPTION
CM	00	L	03MAR2011	HMR	TM		REVISED PER ECR-10-022954



RECOMMENDED CUT OUT



- MATES WITH APPROPRIATE UNIVERSAL MATE-N-LOK™ PLUG.
  - RECOMMENDED PANEL THICKNESS 0.76 - 2.29 [0.030 - .090].
  - PANEL MUST BE PUNCHED SO THAT THE HOUSING ENTERS THE PANEL IN THE SAME DIRECTION AS THE PUNCH.
- ⚠ DIMENSIONS INDICATED ARE REFERENCE. ADDITIONAL GROWTH DUE TO SUBSEQUENT MOISTURE ABSORPTION MAY OCCUR.



3-DIMENSIONAL MODEL  
SCALE 2:1

COLOR	PART NUMBER
BLACK	1-794715-9
GRAY	1-794715-8
BLUE	1-794715-6
GREEN	1-794715-5
YELLOW	1-794715-4
ORANGE	1-794715-3
RED	1-794715-2
BROWN	1-794715-1
NATURAL	794715-1

DIMENSIONS: mm [ INCHES ]		TOLERANCES UNLESS OTHERWISE SPECIFIED: 9 PLC ± 1 PLC ±0.13 (.005) 5 PLC ± 4 PLC ± ANGLES ± 30°		DWN R. WHITAKER 06-OCT-1999 CHK M. TRULL 06-OCT-1999 APPV M. TRULL 06-OCT-1999		AMP Incorporated Harrisburg, PA 17105-3608	
MATERIAL: NYLON UL 94V-2, NATURAL		FINISH:		NAME: CAP. 9 CIRCUIT, UNIVERSAL MATE-N-LOK(TM), SPECIAL		SIZE: CAGE CODE: DRAWING NO: A 00779 C-794715	
CUSTOMER DRAWING				WEIGHT:		SCALE: 4:1 SHEET 1 OF 1 REV L	

