



Chipsmall Limited consists of a professional team with an average of over 10 year of expertise in the distribution of electronic components. Based in Hongkong, we have already established firm and mutual-benefit business relationships with customers from,Europe,America and south Asia,supplying obsolete and hard-to-find components to meet their specific needs.

With the principle of "Quality Parts,Customers Priority,Honest Operation,and Considerate Service",our business mainly focus on the distribution of electronic components. Line cards we deal with include Microchip,ALPS,ROHM,Xilinx,Pulse,ON,Everlight and Freescale. Main products comprise IC,Modules,Potentiometer,IC Socket,Relay,Connector.Our parts cover such applications as commercial,industrial, and automotives areas.

We are looking forward to setting up business relationship with you and hope to provide you with the best service and solution. Let us make a better world for our industry!



Contact us

Tel: +86-755-8981 8866 Fax: +86-755-8427 6832

Email & Skype: info@chipsmall.com Web: www.chipsmall.com

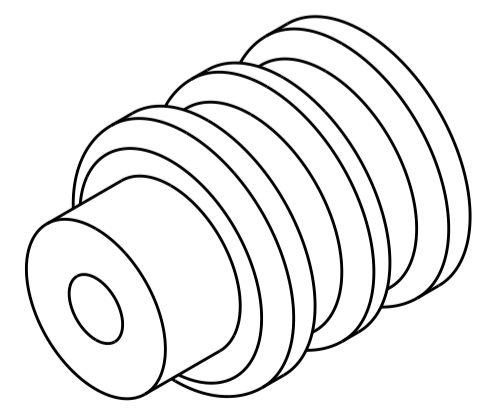
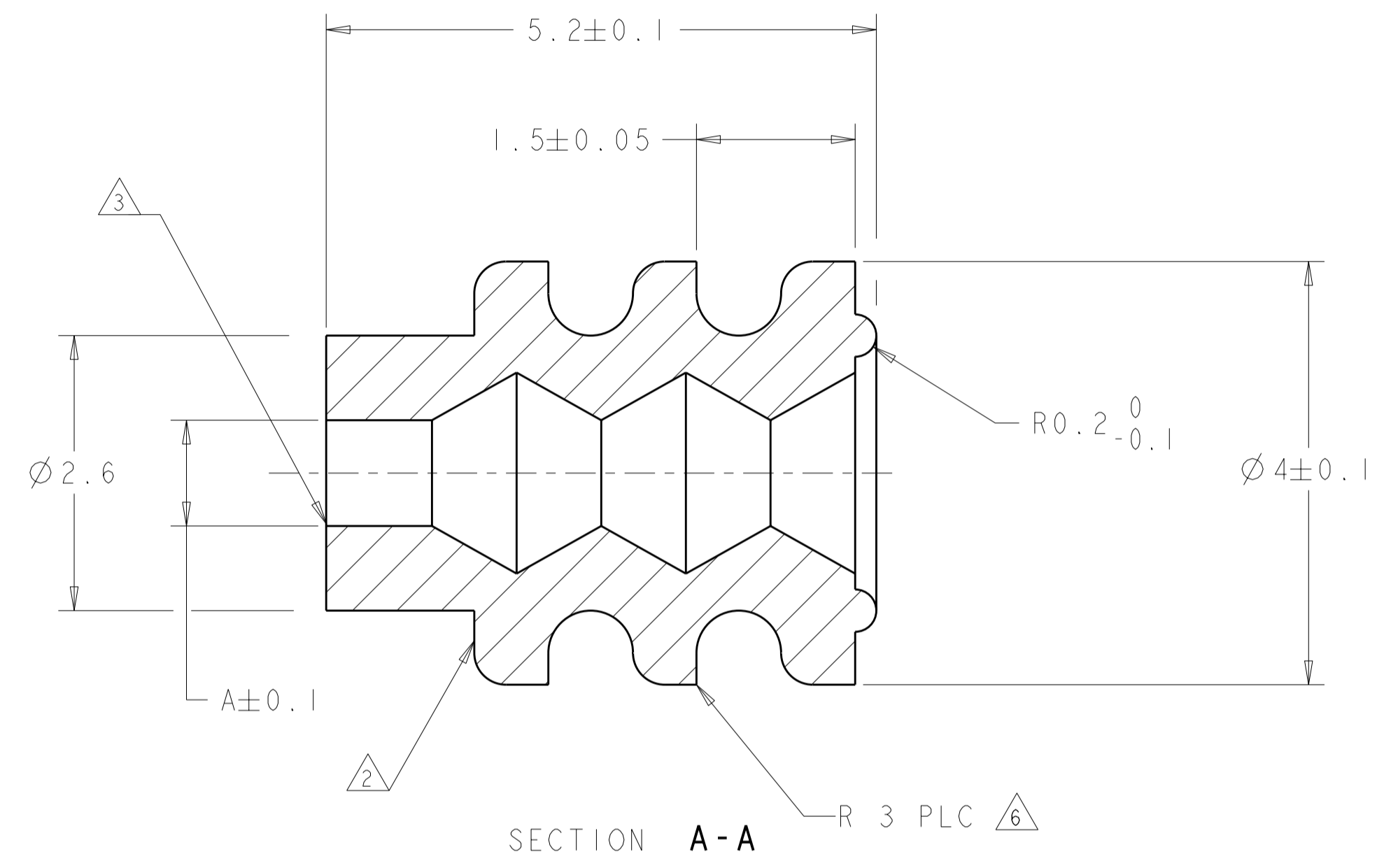
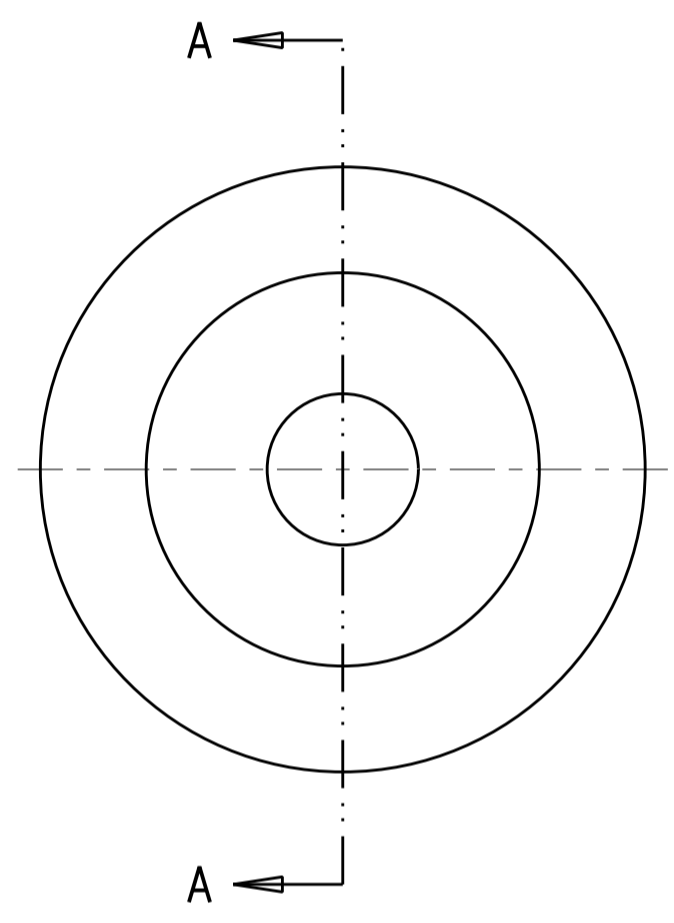
Address: A1208, Overseas Decoration Building, #122 Zhenhua RD., Futian, Shenzhen, China



THIS DRAWING IS UNPUBLISHED. RELEASED FOR PUBLICATION 20
 © COPYRIGHT 20 BY - ALL RIGHTS RESERVED.

LOC	DIST	REVISIONS					
CM	00	P	LTR	DESCRIPTION	DATE	DWN	APVD
		D		REVISED PER ECO-11-017731	31AUG11	JR	TM

1. FLASH ALLOWANCE TO BE 0.05 MAX HIGH x 0.03 MAX THICK.
2. FLASH NOT PERMITTED IN THIS AREA.
3. FLASH MAY BE PRESENT ON THIS EDGE. NO FORM, FIT OR FUNCTION ISSUES IF LESS THAN 0.21 LONG.
4. INSULATION DIAMETER MUST BE MET REGARDLESS OF WHICH WIRE SIZE IS USED.
5. THIS SEAL IS NOT COMPATIBLE WITH 26-30 AWG CONTACTS. 26 AWG WIRE MUST BE USED WITH 22-26 AWG CONTACTS.
6. OPTIONAL CONSTRUCTION.



3 DIMENSIONAL VIEW
SCALE 10:1

35.45 mm ³	BLUE	1.02-2.11	18-26 AWG	1.0	794758-1
VOLUME	COLOR	INSULATION DIAMETER 4	WIRE RANGE 4	DIM A	PART NUMBER

THIS DRAWING IS A CONTROLLED DOCUMENT.		DWN K. WHITAKER 15FEB2001	STE TE Connectivity		
DIMENSIONS: mm		CHK C. JONES 15FEB2001			
TOLERANCES UNLESS OTHERWISE SPECIFIED:		APVD C. JONES 15FEB2001	NAME SINGLE WIRE SEAL, MINI UNIVERSAL MATE-N-LOK(TM)		
0 PLC ±.2 1 PLC ±.2 2 PLC ±. 3 PLC ±. 4 PLC ±. ANGLES ±2° FINISH		PRODUCT SPEC - APPLICATION SPEC -	SIZE A2	CAGE CODE 00779	DRAWING NO 794758
MATERIAL SILICON RUBBER		WEIGHT -	RESTRICTED TO -		
		CUSTOMER DRAWING	SCALE 20:1	SHEET 1	OF 1