



Chipsmall Limited consists of a professional team with an average of over 10 year of expertise in the distribution of electronic components. Based in Hongkong, we have already established firm and mutual-benefit business relationships with customers from,Europe,America and south Asia,supplying obsolete and hard-to-find components to meet their specific needs.

With the principle of “Quality Parts,Customers Priority,Honest Operation,and Considerate Service”,our business mainly focus on the distribution of electronic components. Line cards we deal with include Microchip,ALPS,ROHM,Xilinx,Pulse,ON,Everlight and Freescale. Main products comprise IC,Modules,Potentiometer,IC Socket,Relay,Connector.Our parts cover such applications as commercial,industrial, and automotives areas.

We are looking forward to setting up business relationship with you and hope to provide you with the best service and solution. Let us make a better world for our industry!



Contact us

Tel: +86-755-8981 8866 Fax: +86-755-8427 6832

Email & Skype: info@chipsmall.com Web: www.chipsmall.com

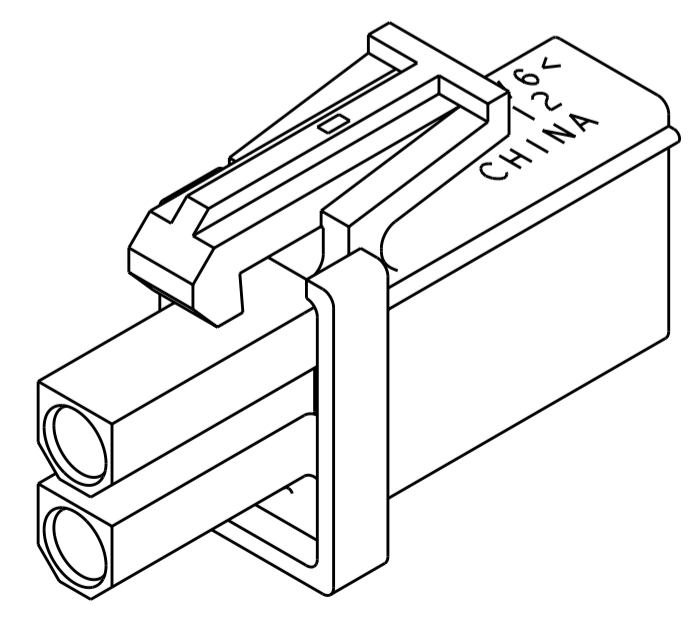
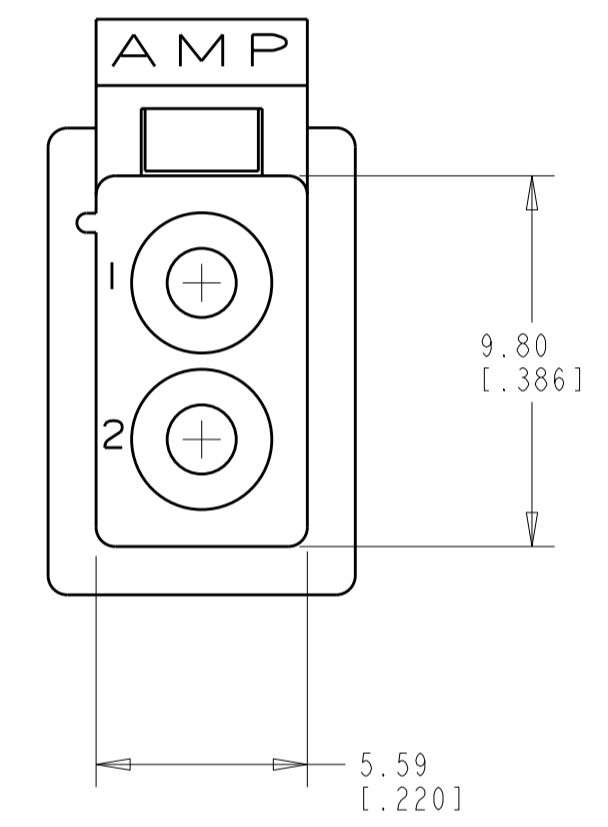
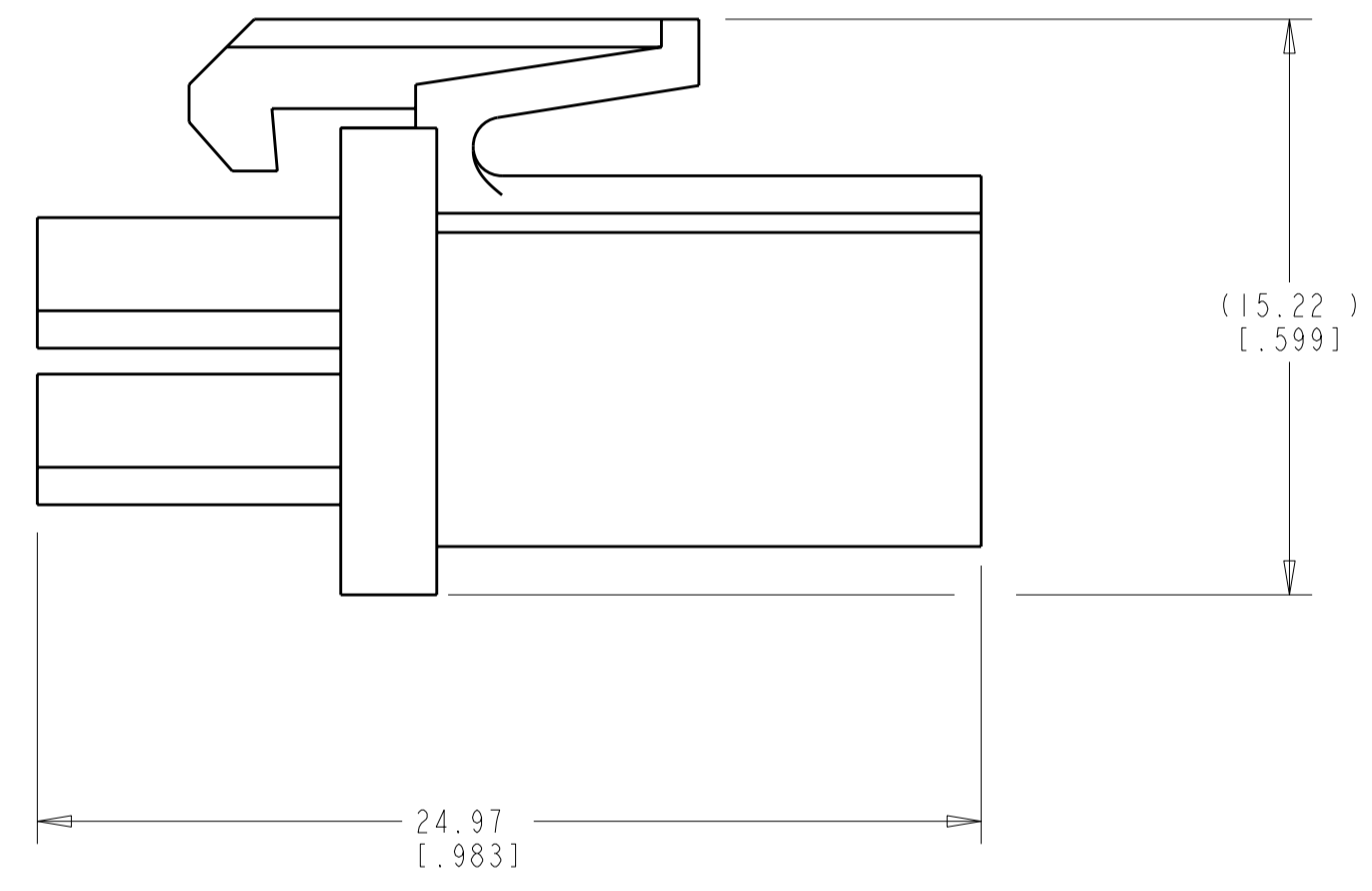
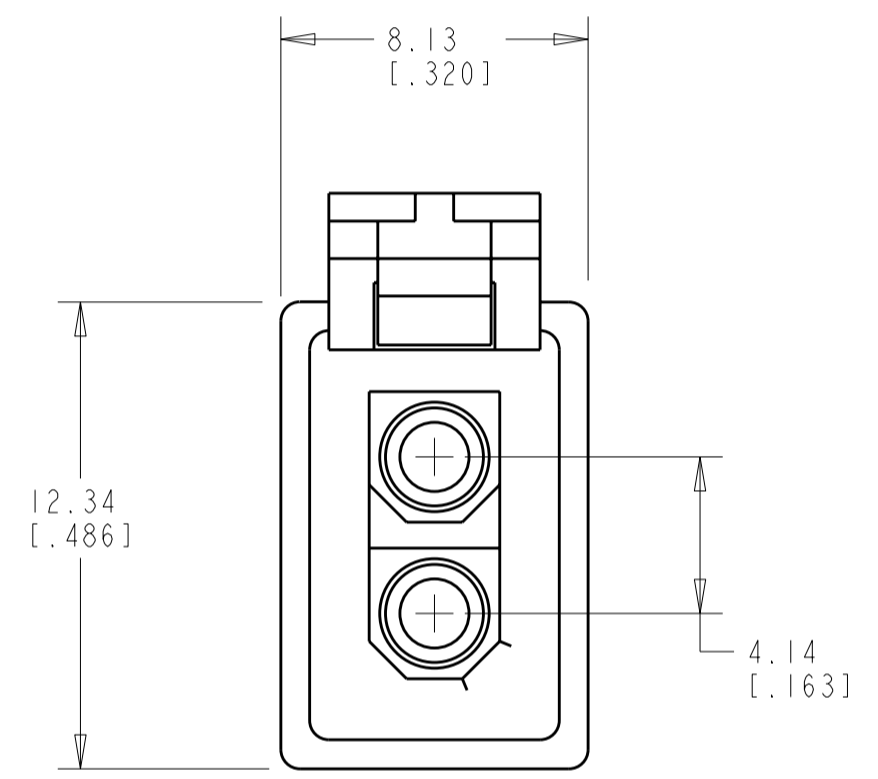
Address: A1208, Overseas Decoration Building, #122 Zhenhua RD., Futian, Shenzhen, China



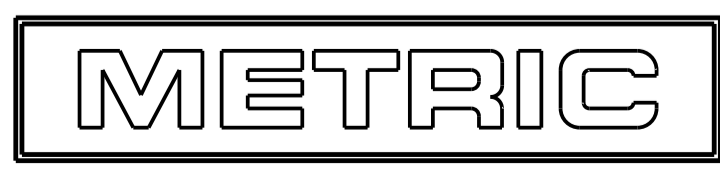
THIS DRAWING IS UNPUBLISHED. RELEASED FOR PUBLICATION 20
 © COPYRIGHT 20 BY - ALL RIGHTS RESERVED.

LOC	DIST	REVISIONS					
CM	00	P	LTR	DESCRIPTION	DATE	DWN	APVD
		B1		REVISED PER ECO-11-005027	15MAR2011	RK	HMR
		B2		ECR-11-023708	22NOV2011	MGT	R.P

1. DIMENSIONS IN BRACKETS ARE IN INCHES.
 ⚠ GWT 750° (WITH OUT FLAME) ACC. IEC 60335-1



3 DIMENSIONAL MODEL
 SCALE 4:1



⚠	NATURAL	PA 6 UL94-V2	794894-3
⚠	RED	PA 6 UL94-V2	794894-2
	NATURAL	PA66/6 UL94 V-0	794894-1
REMARKS	COLOUR	MATERIAL	PART NUMBER

THIS DRAWING IS A CONTROLLED DOCUMENT.		DWN	26-JAN-2001	TE Connectivity
DIMENSIONS: mm [INCHES]		CHK	26-JAN-2001	
TOLERANCES UNLESS OTHERWISE SPECIFIED:		APVD	26-JAN-2001	
0 PLC ±- 1 PLC ±- 2 PLC ±0.13 [.005] 3 PLC ±- 4 PLC ±- ANGLES ±0° 30' FINISH		PRODUCT SPEC	-	
MATERIAL SEE TABLE		APPLICATION SPEC	-	NAME
		WEIGHT	-	PLUG, 2 CIRCUIT, SEALED APPLICATION, MINI UNIVERSAL MATE-N-LOK(TM)
		CUSTOMER DRAWING	-	SIZE
		SCALE	5:1	CAGE CODE
		SHEET	1	DRAWING NO
		OF	1	RESTRICTED TO
		REV	B2	-