



Chipsmall Limited consists of a professional team with an average of over 10 year of expertise in the distribution of electronic components. Based in Hongkong, we have already established firm and mutual-benefit business relationships with customers from,Europe,America and south Asia,supplying obsolete and hard-to-find components to meet their specific needs.

With the principle of “Quality Parts,Customers Priority,Honest Operation,and Considerate Service”,our business mainly focus on the distribution of electronic components. Line cards we deal with include Microchip,ALPS,ROHM,Xilinx,Pulse,ON,Everlight and Freescale. Main products comprise IC,Modules,Potentiometer,IC Socket,Relay,Connector.Our parts cover such applications as commercial,industrial, and automotives areas.

We are looking forward to setting up business relationship with you and hope to provide you with the best service and solution. Let us make a better world for our industry!



Contact us

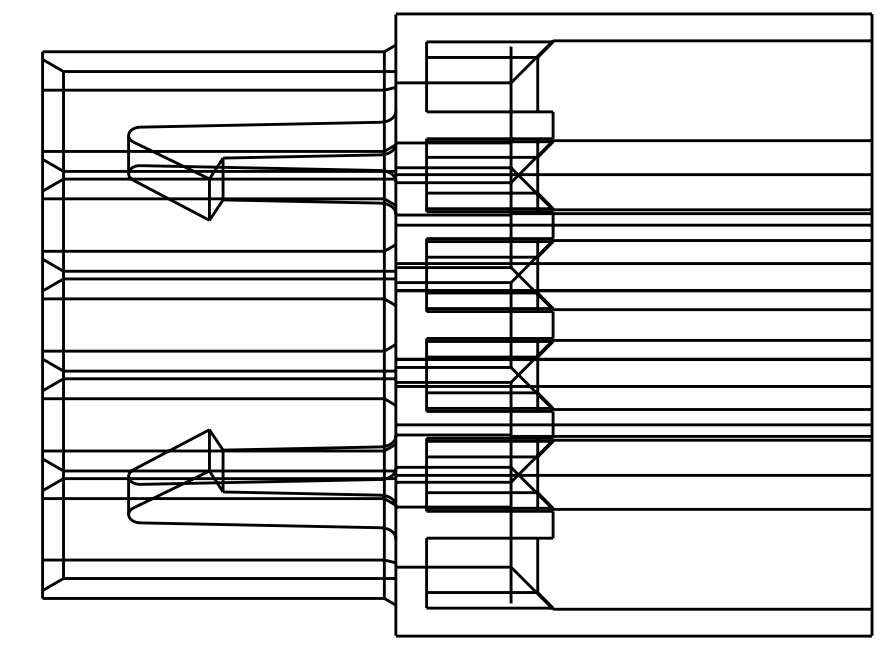
Tel: +86-755-8981 8866 Fax: +86-755-8427 6832

Email & Skype: info@chipsmall.com Web: www.chipsmall.com

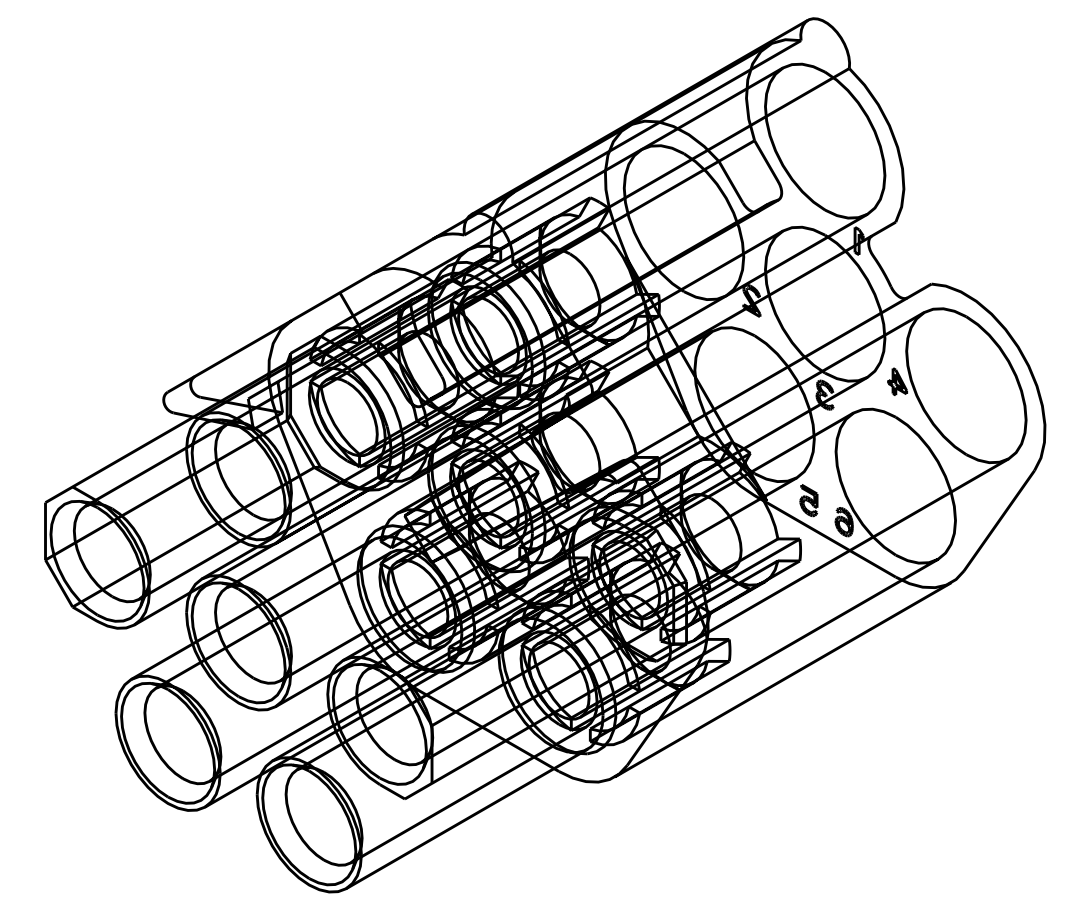
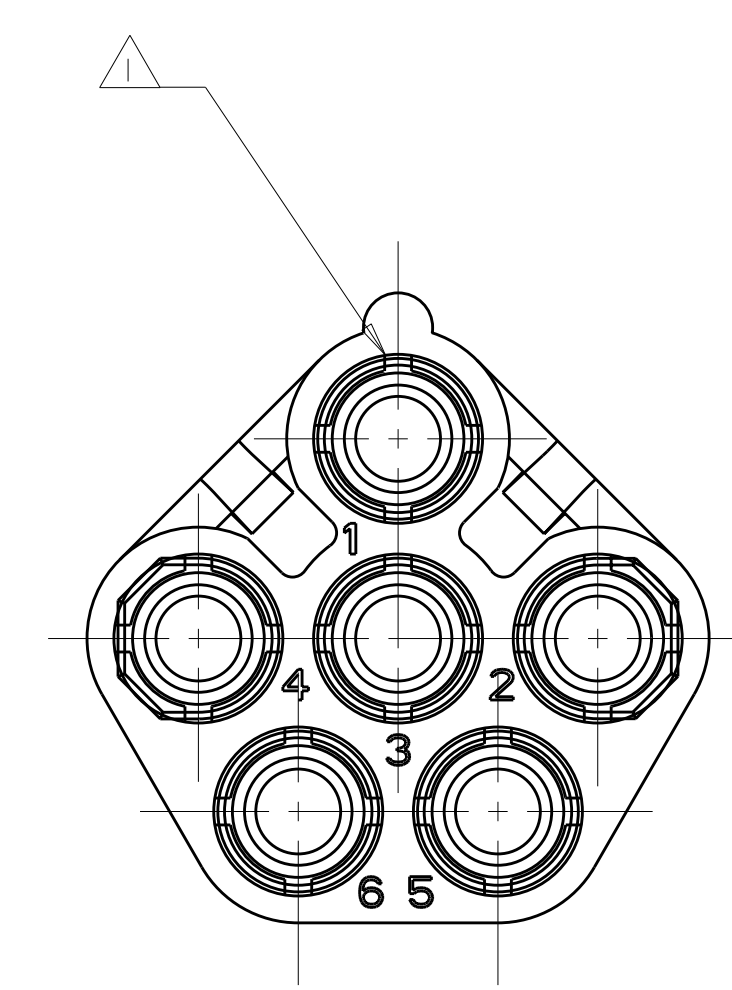
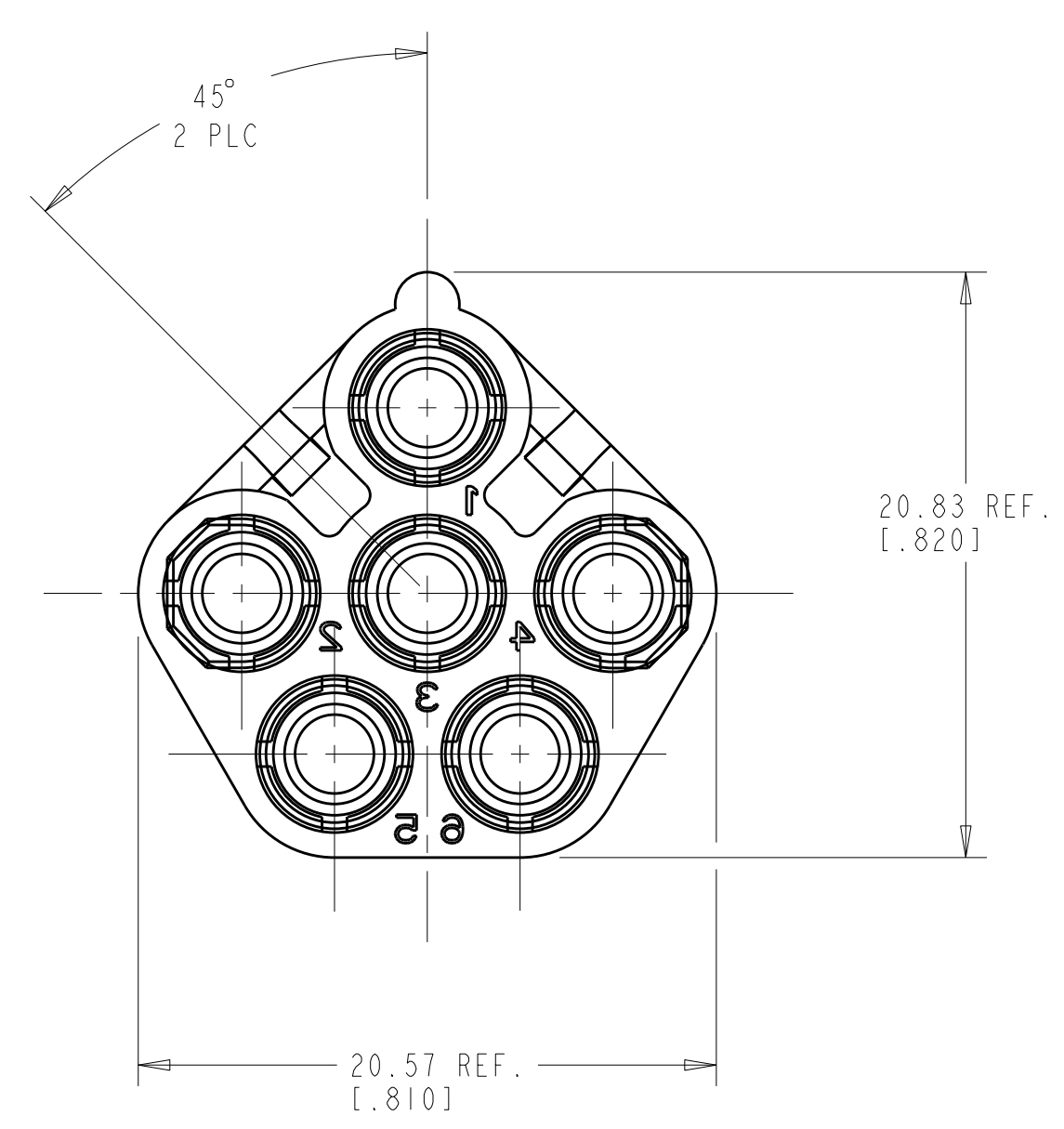
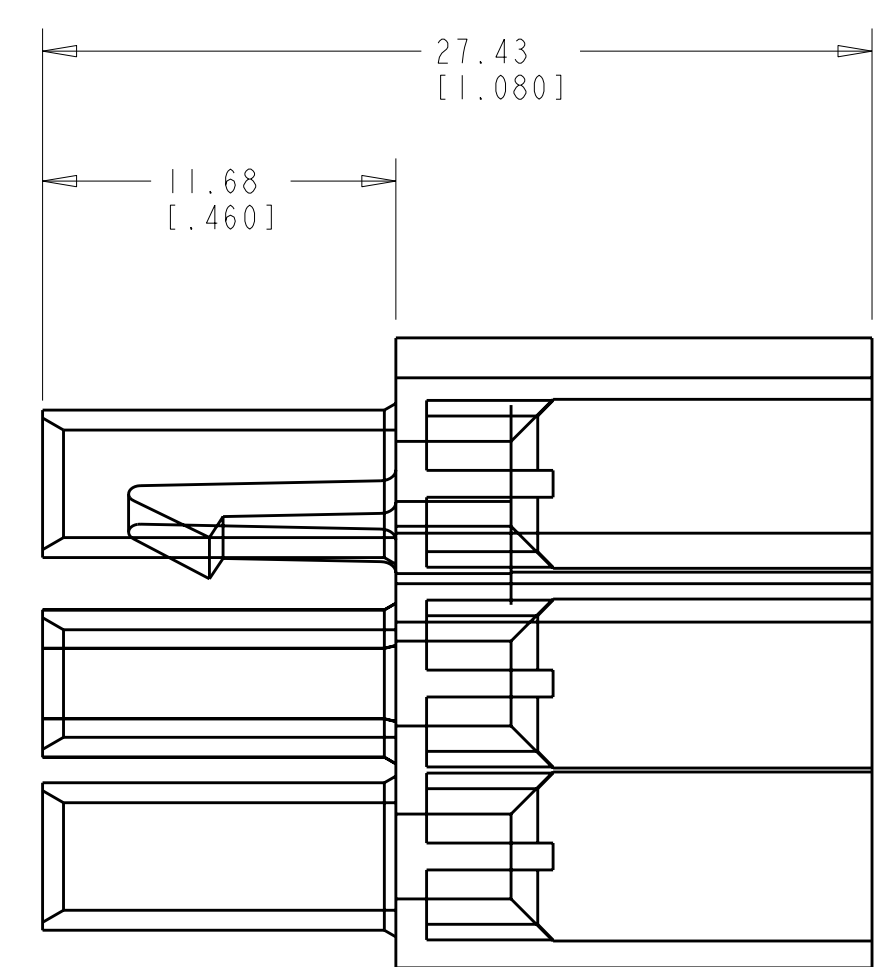
Address: A1208, Overseas Decoration Building, #122 Zhenhua RD., Futian, Shenzhen, China



LOC	DIST	REVISIONS					
CM	00	P	LTR	DESCRIPTION	DATE	DWN	APVD
		A		REVISED PER 063B-0550-01	02-OCT-01	KW	SR
		A1		REVISED PER ECO-07-001375	18JAN2007	KW	DC



△ FOUR RIBS EQUALLY SPACED, NO SPECIFIC ORIENTATION.



3-DIMENSIONAL MODEL
SCALE 4:1

0.172 IN ³	BLACK	794911-9
0.172 IN ³	GRAY	794911-8
0.172 IN ³	BROWN	794911-7
0.172 IN ³	BLUE	794911-6
0.172 IN ³	GREEN	794911-5
0.172 IN ³	YELLOW	794911-4
0.172 IN ³	ORANGE	794911-3
0.172 IN ³	RED	794911-2
0.172 IN ³	NATURAL	794911-1
VOLUME	COLOR	PART NUMBER

METRIC

DIMENSIONS: mm 		TOLERANCES UNLESS OTHERWISE SPECIFIED: 9 PLC ± 1 PLC ± 2 PLC ±0.13(.005) 3 PLC ± 4 PLC ± ANGLES ±40°30' FINISH -		DWN R. WHITAKER 23-MAR-2001 CHK S. RIDGILL 23-MAR-2001 APVD S. RIDGILL 23-MAR-2001 NAME S. RIDGILL PRODUCT SPEC - APPLICATION SPEC - WEIGHT - MATERIAL NYLON, UL 94V-2 FINISH -		Tyco Electronics Harrisburg, PA 17105-3608 PLUG, CIRCULAR, 6 CIRCUIT, UNIVERSAL MATE-N-LOK(TM) SIZE CAGE CODE DRAWING NO RESTRICTED TO A1 00779 C=794911 SCALE 4:1 SHEET 1 OF 1 REV A1 CUSTOMER DRAWING	
-----------------------	--	---	--	---	--	---	--