



Chipsmall Limited consists of a professional team with an average of over 10 year of expertise in the distribution of electronic components. Based in Hongkong, we have already established firm and mutual-benefit business relationships with customers from,Europe,America and south Asia,supplying obsolete and hard-to-find components to meet their specific needs.

With the principle of “Quality Parts,Customers Priority,Honest Operation,and Considerate Service”,our business mainly focus on the distribution of electronic components. Line cards we deal with include Microchip,ALPS,ROHM,Xilinx,Pulse,ON,Everlight and Freescale. Main products comprise IC,Modules,Potentiometer,IC Socket,Relay,Connector.Our parts cover such applications as commercial,industrial, and automotives areas.

We are looking forward to setting up business relationship with you and hope to provide you with the best service and solution. Let us make a better world for our industry!



## Contact us

Tel: +86-755-8981 8866 Fax: +86-755-8427 6832

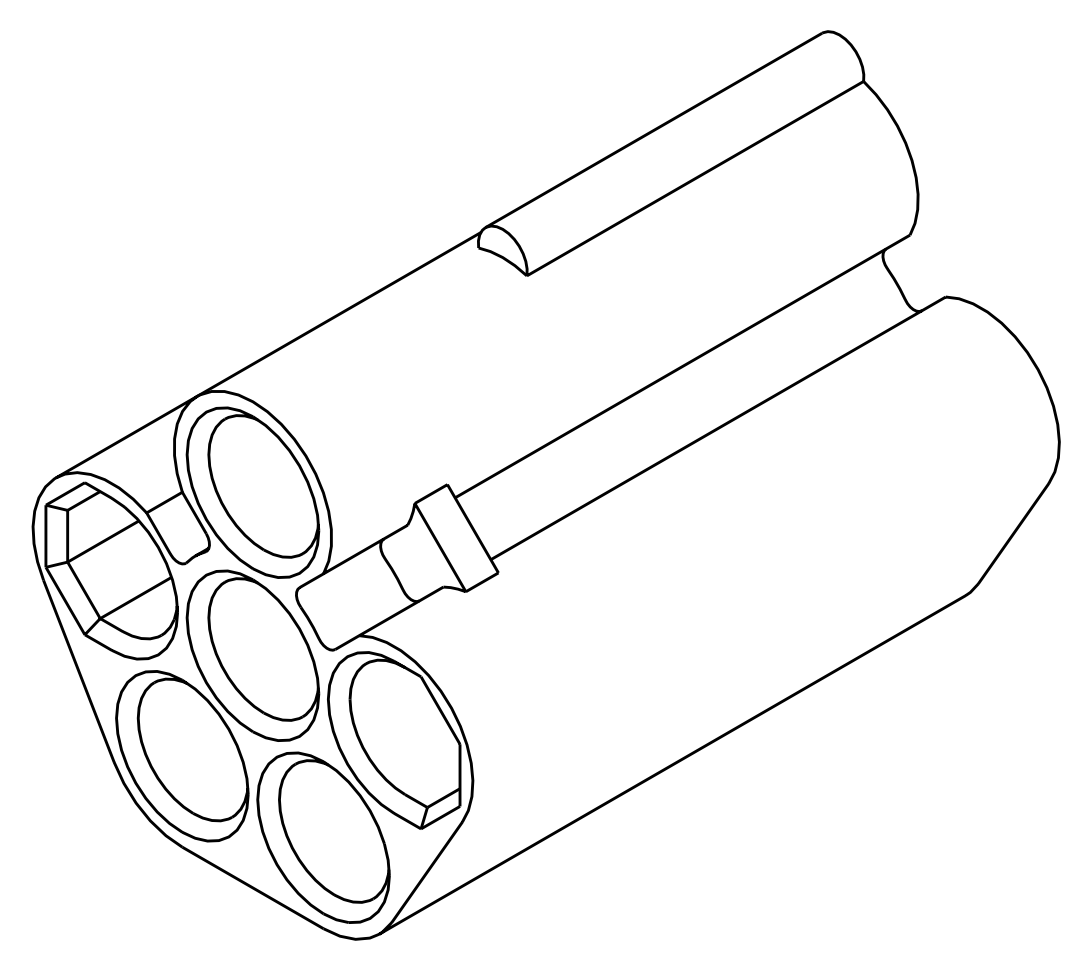
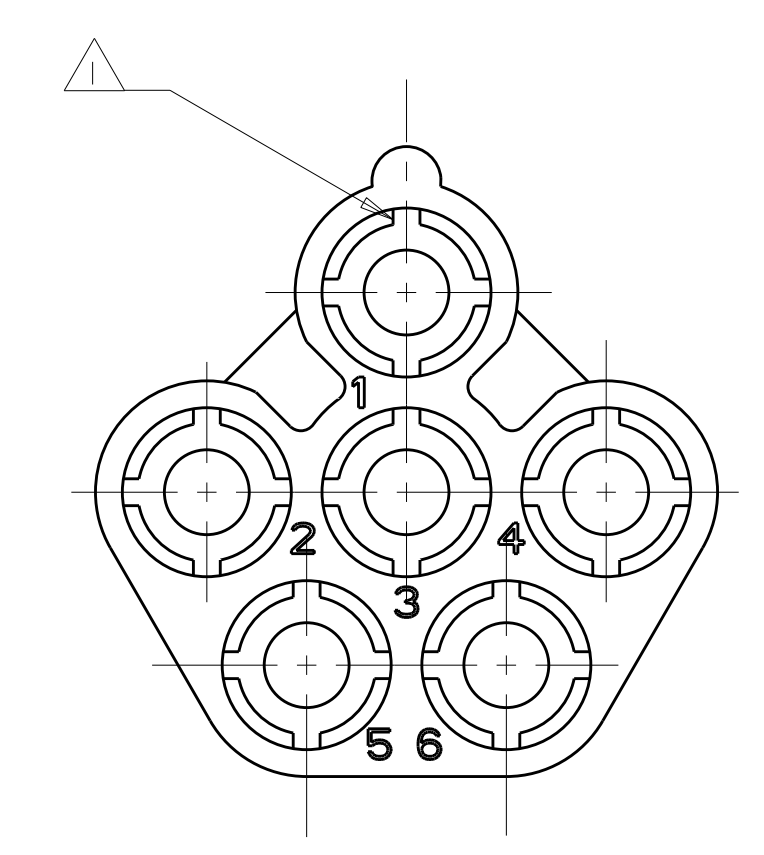
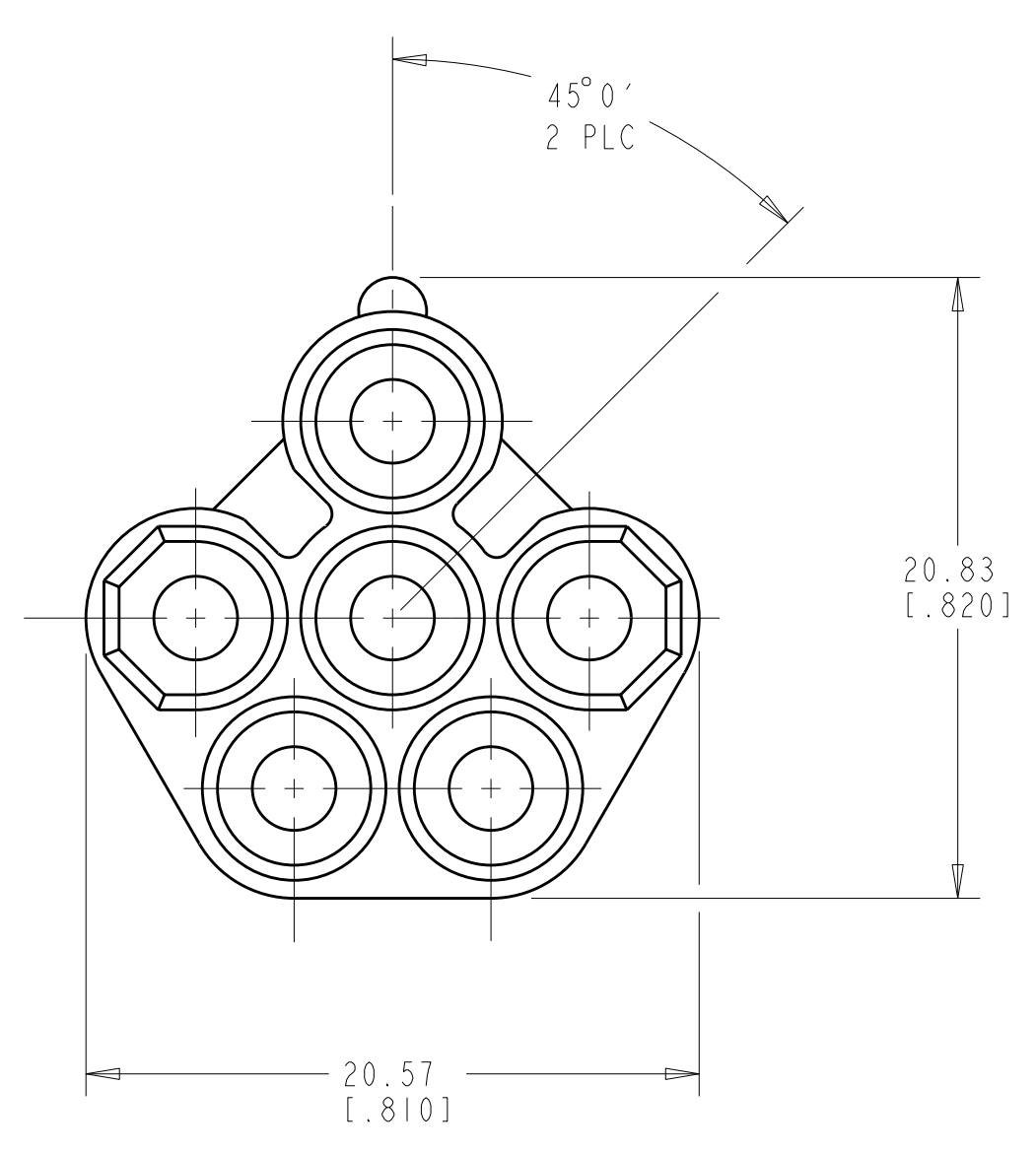
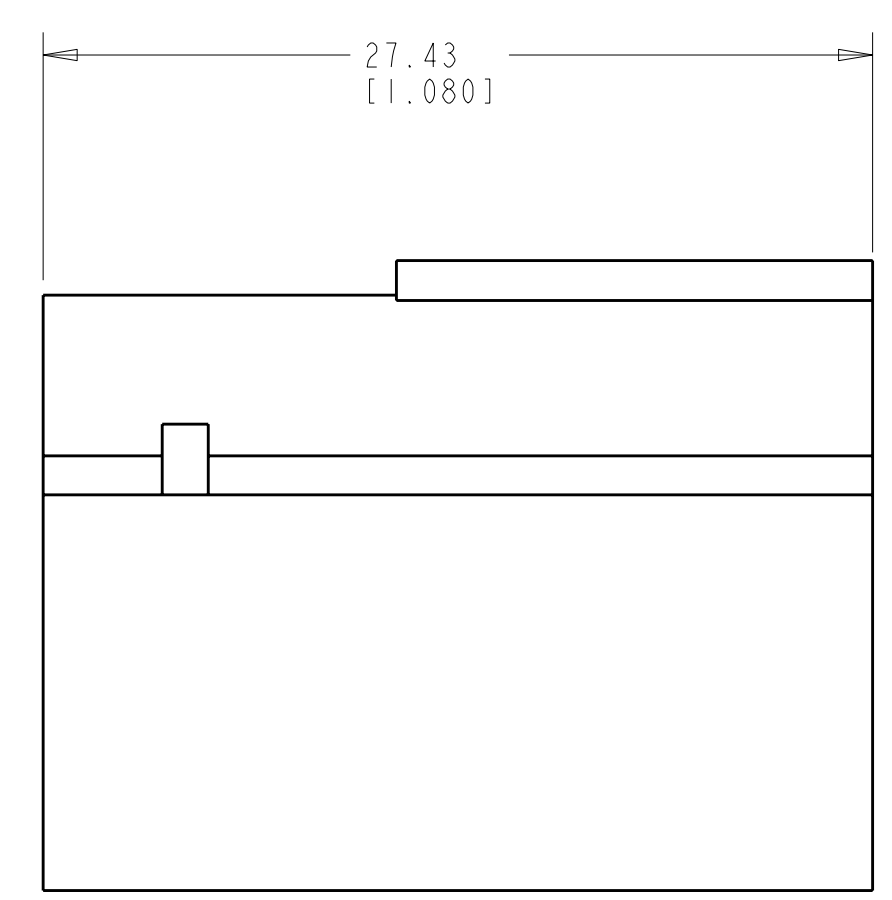
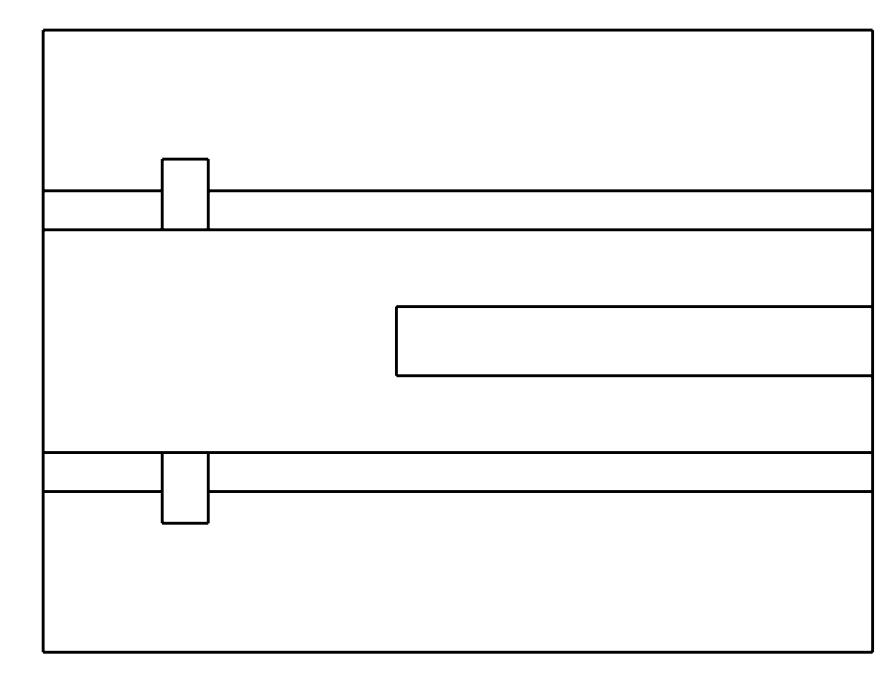
Email & Skype: info@chipsmall.com Web: www.chipsmall.com

Address: A1208, Overseas Decoration Building, #122 Zhenhua RD., Futian, Shenzhen, China



LOC	DIST	REVISIONS			
REV	DATE	DESCRIPTION	DATE	DWN	APVD
B		REVISED PER 0638-0556-01	15-OCT-01	KW	SR
B1		REVISED PER ECO-07-001375	18JAN2007	KW	DC

△ FOUR RIBS EQUALLY SPACED, NO SPECIFIC ORIENTATION.



3-DIMENSIONAL MODEL  
SCALE 4:1

VOLUME	COLOR	PART NUMBER
0.218 IN <sup>3</sup>	BLACK	794912-9
0.218 IN <sup>3</sup>	GRAY	794912-8
0.218 IN <sup>3</sup>	BROWN	794912-7
0.218 IN <sup>3</sup>	BLUE	794912-6
0.218 IN <sup>3</sup>	GREEN	794912-5
0.218 IN <sup>3</sup>	YELLOW	794912-4
0.218 IN <sup>3</sup>	ORANGE	794912-3
0.218 IN <sup>3</sup>	RED	794912-2
0.218 IN <sup>3</sup>	NATURAL	794912-1

DIMENSIONS: mm [ INCHES ]		TOLERANCES UNLESS OTHERWISE SPECIFIED: 9 PLC ± 1 PLC ± 2 PLC ±0.131 (0.005) 3 PLC ± 4 PLC ± ANGLES ±		DWN: 23-MAR-2001 CHK: WHITAKER S. RIDGILL APVD: 23-MAR-2001 S. RIDGILL		AMP Incorporated Harrisburg, PA 17105-3608	
MATERIAL: NYLON, UL 94V-2		FINISH:		PRODUCT SPEC:		NAME: CAP, CIRCULAR, 6 CIRCUIT, UNIVERSAL MATE-N-LOK(TM)	
CUSTOMER DRAWING		WEIGHT:		SIZE: CAGE CODE: DRAWING NO: A1100779 C=794912		RESTRICTED TO:	
SCALE: 4:1		SHEET: 1 OF 1		REV: B1		Tjco Electronics	

