



Chipsmall Limited consists of a professional team with an average of over 10 year of expertise in the distribution of electronic components. Based in Hongkong, we have already established firm and mutual-benefit business relationships with customers from,Europe,America and south Asia,supplying obsolete and hard-to-find components to meet their specific needs.

With the principle of “Quality Parts,Customers Priority,Honest Operation,and Considerate Service”,our business mainly focus on the distribution of electronic components. Line cards we deal with include Microchip,ALPS,ROHM,Xilinx,Pulse,ON,Everlight and Freescale. Main products comprise IC,Modules,Potentiometer,IC Socket,Relay,Connector.Our parts cover such applications as commercial,industrial, and automotives areas.

We are looking forward to setting up business relationship with you and hope to provide you with the best service and solution. Let us make a better world for our industry!



## Contact us

Tel: +86-755-8981 8866 Fax: +86-755-8427 6832

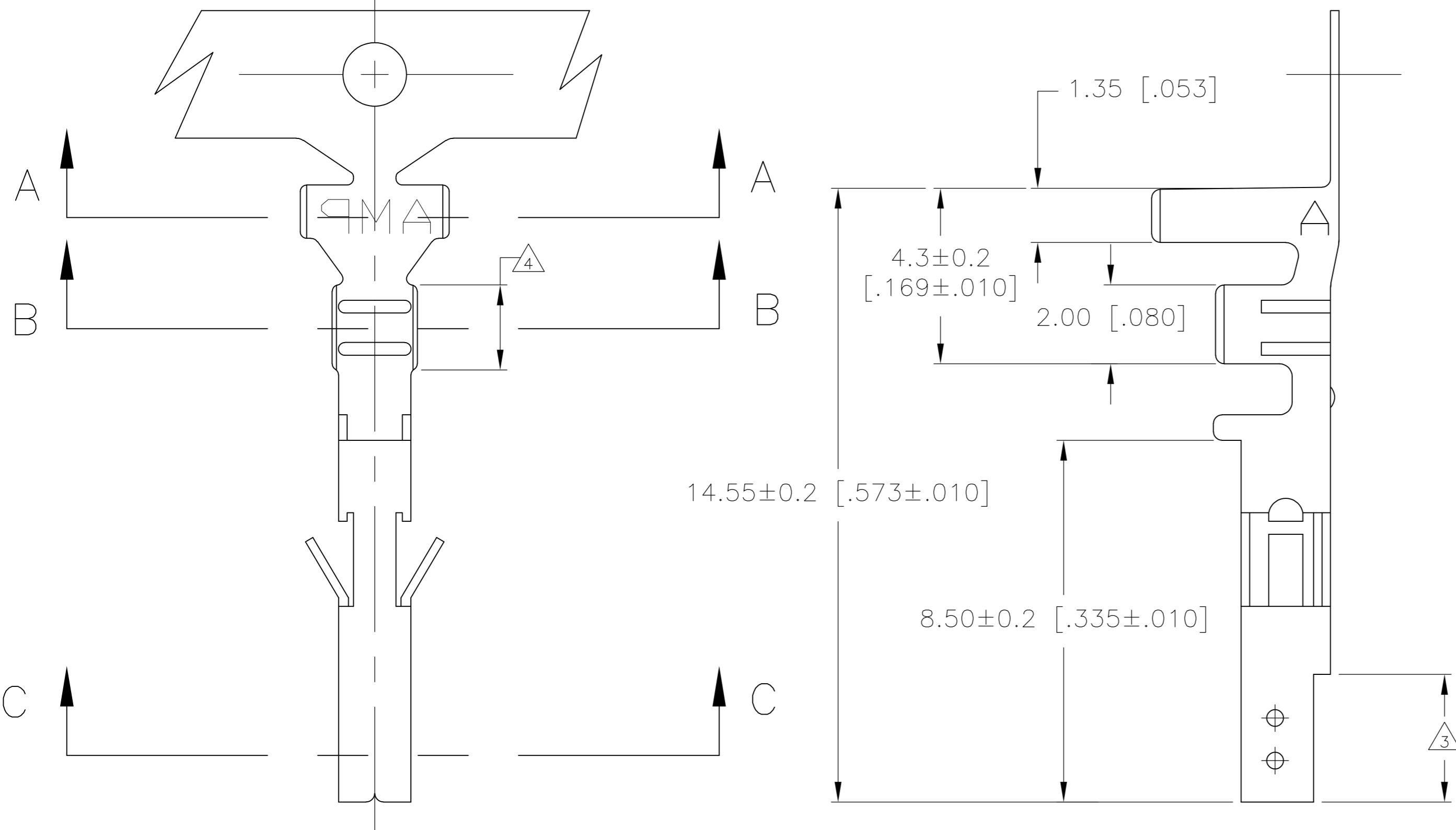
Email & Skype: info@chipsmall.com Web: www.chipsmall.com

Address: A1208, Overseas Decoration Building, #122 Zhenhua RD., Futian, Shenzhen, China

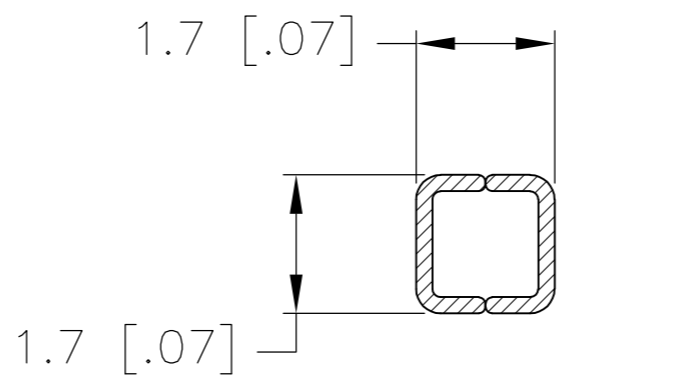
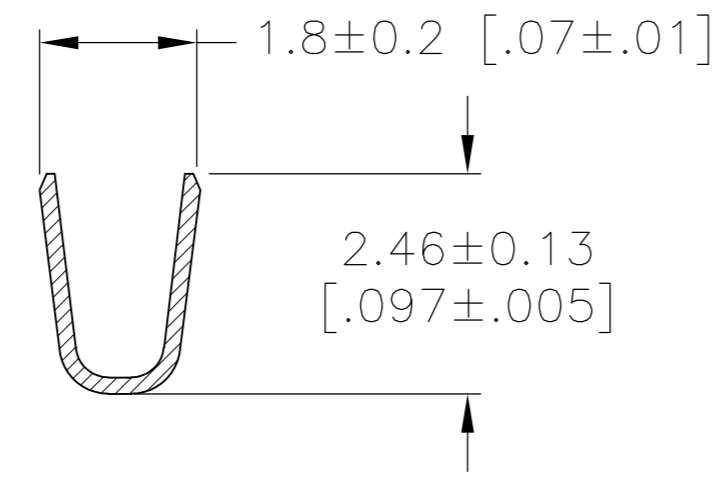
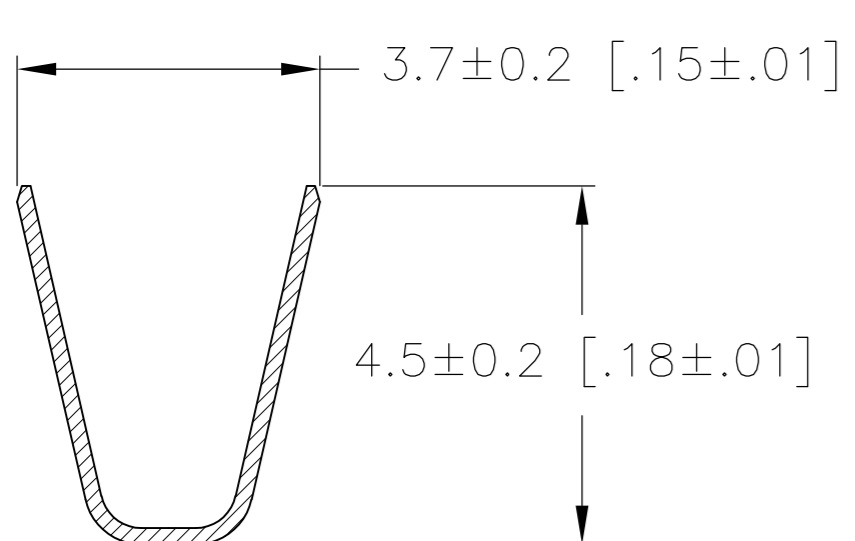


THIS DRAWING IS UNPUBLISHED. RELEASED FOR PUBLICATION  
 © COPYRIGHT - By - ALL RIGHTS RESERVED.

LOC	DIST	REVISIONS					
		P	LTR	DESCRIPTION	DATE	DWN	APVD
CM	00		H3	REVISED PER ECO-11-004587	11MAR11	RK	HMR
			H4	REVISED PER ECR-13-005387	27MAR13	A.Z	F.M



- 1 WIRE RANGE: 0.2-0.82mm<sup>2</sup> (24-18 AWG).
- 2 INSULATION RANGE: 1.50 - 3.10 DIA.
- 3 FINISH: 0.76µm MIN GOLD OVER 1.27µm MIN NICKEL REQUIRED ON INNER SURFACE, PERMITTED ON OUTER SURFACE.
- 4 FINISH: 2.54µm MIN PRE-TIN ON ALL SURFACES IN THIS AREA.
- 5 FINISH: 2.54µm MINIMUM PRE-TIN ALL OVER.



SECTION B-B

SECTION C-C

SECTION A-A

LUBRICANT	794956-1	794956-5
GOLD 3 4	PHOS. BRZ.	794956-4
PRE-TIN 5	PHOS. BRZ.	794956-3
GOLD 3 4	BRASS	794956-2
PRE-TIN 5	BRASS	794956-1
FINISH:	MATERIAL:	PART NO.

**METRIC**

THIS DRAWING IS A CONTROLLED DOCUMENT.

DWN S. HAMM 10-SEP-2001	 TE Connectivity			
CHK D. COLEY 10-SEP-2001				
APVD D. COLEY 10-SEP-2001				
PRODUCT SPEC				
APPLICATION SPEC	NAME			
WEIGHT	SIZE A2	CAGE CODE 00779	DRAWING NO. C=794956	RESTRICTED TO -
CUSTOMER DRAWING	SCALE NTS	SHEET 1 of 1	REV H4	

TERMINAL SOCKET VAL-U-LOK (TM)