



Chipsmall Limited consists of a professional team with an average of over 10 year of expertise in the distribution of electronic components. Based in Hongkong, we have already established firm and mutual-benefit business relationships with customers from,Europe,America and south Asia,supplying obsolete and hard-to-find components to meet their specific needs.

With the principle of "Quality Parts,Customers Priority,Honest Operation,and Considerate Service",our business mainly focus on the distribution of electronic components. Line cards we deal with include Microchip,ALPS,ROHM,Xilinx,Pulse,ON,Everlight and Freescale. Main products comprise IC,Modules,Potentiometer,IC Socket,Relay,Connector.Our parts cover such applications as commercial,industrial, and automotives areas.

We are looking forward to setting up business relationship with you and hope to provide you with the best service and solution. Let us make a better world for our industry!



Contact us

Tel: +86-755-8981 8866 Fax: +86-755-8427 6832

Email & Skype: info@chipsmall.com Web: www.chipsmall.com

Address: A1208, Overseas Decoration Building, #122 Zhenhua RD., Futian, Shenzhen, China



4

3

2

1

THIS DRAWING IS UNPUBLISHED.

RELEASED FOR PUBLICATION

20

© COPYRIGHT 20

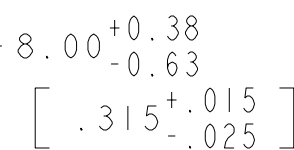
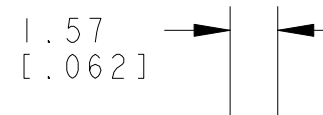
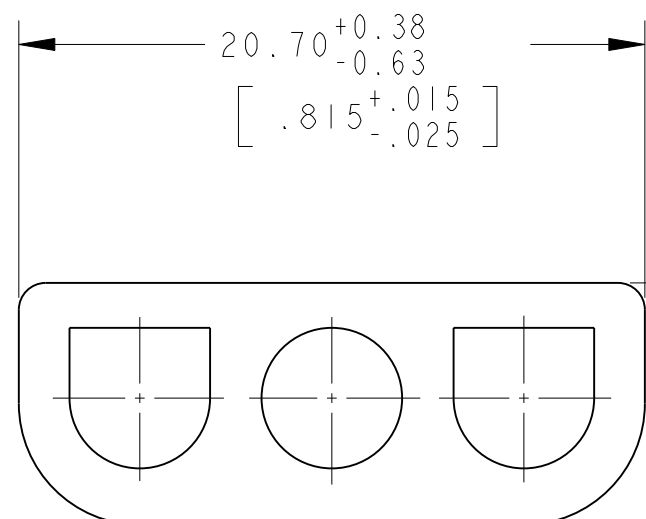
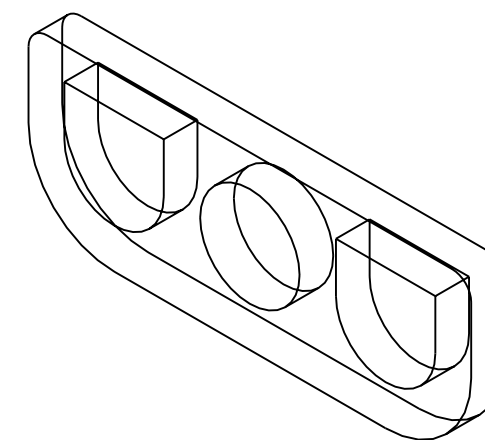
BY TYCO ELECTRONICS CORPORATION. ALL RIGHTS RESERVED.

LOC CM DIST 45

REVISIONS

P	LTR	DESCRIPTION	DATE	DWN	APVD
	E	REVISED PER ECO-05-001965	04MAY05	KW	SR

1 MATERIAL: CLOSED CELL SILICON FOAM, BLACK
 2. SUPPLIED ON MYLAR FILM.



794992-1

PART NUMBER

THIS DRAWING IS A CONTROLLED DOCUMENT FOR TYCO ELECTRONICS CORPORATION. IT IS SUBJECT TO CHANGE AND THE CONTROLLING ENGINEERING ORGANIZATION SHOULD BE CONTACTED FOR THE LATEST REVISION.

DIMENSIONS: mm [INCHES]		TOLERANCES UNLESS OTHERWISE SPECIFIED:	
		0 PLC ±-	1 PLC ±-
		2 PLC ±0.51 [.020]	3 PLC ±-
MATERIAL - 1		4 PLC ±-	ANGLES ±-
FINISH -			

DWN	07-DEC-2001
CHK	K. WHITAKER
APVD	07-DEC-2001
APVD	S. RIDGILL
APVD	07-DEC-2001
APVD	S. RIDGILL
PRODUCT SPEC	-
APPLICATION SPEC	-
WEIGHT	-
CUSTOMER DRAWING	

tyco Electronics		Tyco Electronics Harrisburg, PA 17105-3608	
NAME INTERFACIAL SEAL, 3 CIRCUIT, UNIVERSAL MATE-N-LOK™			
SIZE	CAGE CODE	DRAWING NO	RESTRICTED TO
A3	00779	C-794992	-
SCALE 4:1		SHEET 1	OF 1
		REV	E

METRIC