



Chipsmall Limited consists of a professional team with an average of over 10 year of expertise in the distribution of electronic components. Based in Hongkong, we have already established firm and mutual-benefit business relationships with customers from,Europe,America and south Asia,supplying obsolete and hard-to-find components to meet their specific needs.

With the principle of "Quality Parts,Customers Priority,Honest Operation,and Considerate Service",our business mainly focus on the distribution of electronic components. Line cards we deal with include Microchip,ALPS,ROHM,Xilinx,Pulse,ON,Everlight and Freescale. Main products comprise IC,Modules,Potentiometer,IC Socket,Relay,Connector.Our parts cover such applications as commercial,industrial, and automotives areas.

We are looking forward to setting up business relationship with you and hope to provide you with the best service and solution. Let us make a better world for our industry!



Contact us

Tel: +86-755-8981 8866 Fax: +86-755-8427 6832

Email & Skype: info@chipsmall.com Web: www.chipsmall.com

Address: A1208, Overseas Decoration Building, #122 Zhenhua RD., Futian, Shenzhen, China



4

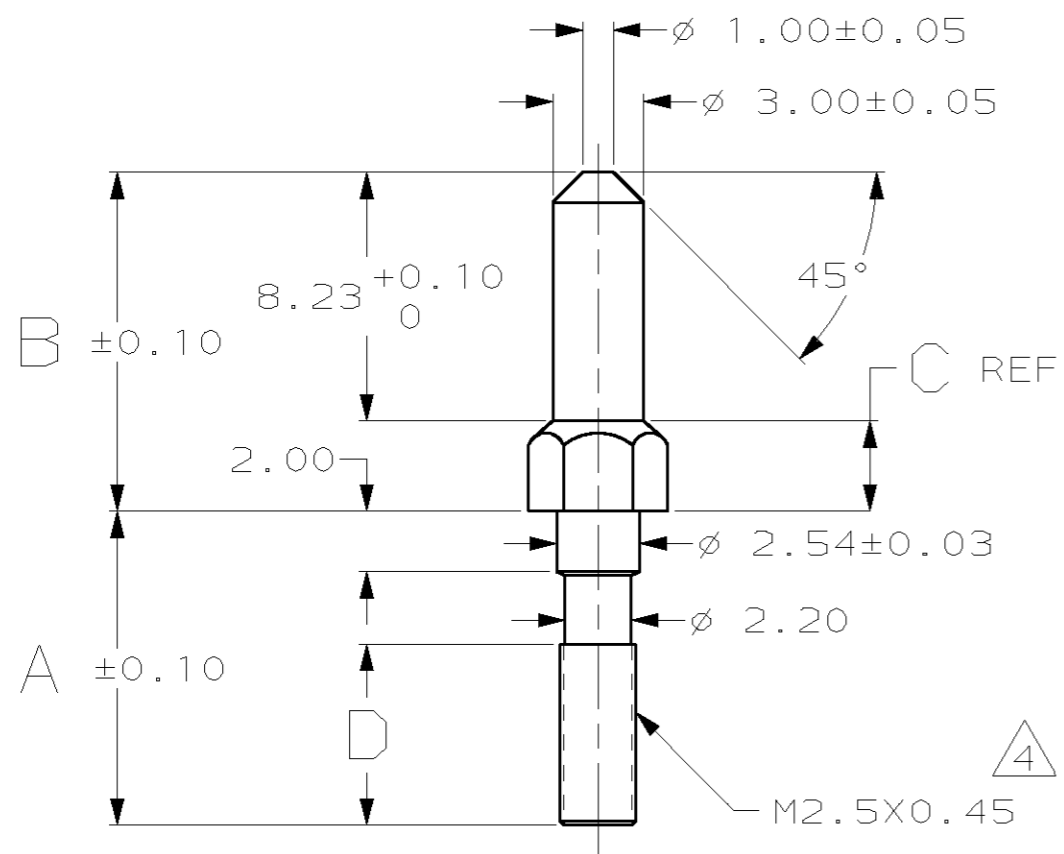
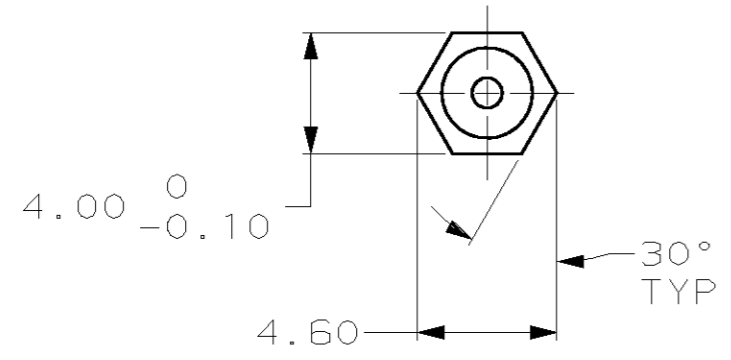
3

2

1

THIS DRAWING IS UNPUBLISHED. RELEASED FOR PUBLICATION ,19 .
 © COPYRIGHT 19 BY AMP INCORPORATED. ALL RIGHTS RESERVED.

LOC	DIST	REVISIONS					
		P	LTR	DESCRIPTION	DATE	DWN	APVD
GP	00	0		REL PER 051C-0012-01	01/10/01	MM	SS



- 1 BRASS, TEMPER H02, PER 100-110-1.
- 2 5.08 μ m MIN NICKEL PER 112-25-1 OVER 6.35 μ m MIN COPPER PER 112-300-2.
- 3. DIMENSIONS ARE SHOWN AFTER PLATING.
- 4 AFTER PLATING THREAD TO BE M2.5-6g.

5.00	2.22	10.45	7.80	796014-3
4.50	3.02	11.25	7.00	796014-2
6.00	3.02	11.25	10.40	796014-1
D	C	B	A	PART NUMBER

THIS DRAWING IS A CONTROLLED DOCUMENT.		DWN M. MORRIS 01JAN01	AMP AMP Incorporated Harrisburg, PA 17105-3608													
DIMENSIONS: mm		CHK S. SHUEY 01JAN01														
TOLERANCES UNLESS OTHERWISE SPECIFIED:		APVD S. SHUEY 01JAN01	NAME GUIDE PIN, .050 CHAMP													
<table border="0"> <tr><td>0 PLC</td><td>±-</td></tr> <tr><td>1 PLC</td><td>±-</td></tr> <tr><td>2 PLC</td><td>±0.15</td></tr> <tr><td>3 PLC</td><td>±-</td></tr> <tr><td>4 PLC</td><td>±-</td></tr> <tr><td>ANGLES</td><td>±1°</td></tr> </table>		0 PLC	±-	1 PLC	±-	2 PLC	±0.15	3 PLC	±-	4 PLC	±-	ANGLES	±1°	PRODUCT SPEC -	SIZE A3	
0 PLC	±-															
1 PLC	±-															
2 PLC	±0.15															
3 PLC	±-															
4 PLC	±-															
ANGLES	±1°															
MATERIAL 1	FINISH 2	APPLICATION SPEC -	CAGE CODE 00779	DRAWING NO C- 796014												
CUSTOMER DRAWING			RESTRICTED TO -	SCALE 4:1												
			SHEET 1 OF 1	REV 0												