



Chipsmall Limited consists of a professional team with an average of over 10 year of expertise in the distribution of electronic components. Based in Hongkong, we have already established firm and mutual-benefit business relationships with customers from,Europe,America and south Asia,supplying obsolete and hard-to-find components to meet their specific needs.

With the principle of "Quality Parts,Customers Priority,Honest Operation,and Considerate Service",our business mainly focus on the distribution of electronic components. Line cards we deal with include Microchip,ALPS,ROHM,Xilinx,Pulse,ON,Everlight and Freescale. Main products comprise IC,Modules,Potentiometer,IC Socket,Relay,Connector.Our parts cover such applications as commercial,industrial, and automotives areas.

We are looking forward to setting up business relationship with you and hope to provide you with the best service and solution. Let us make a better world for our industry!



## Contact us

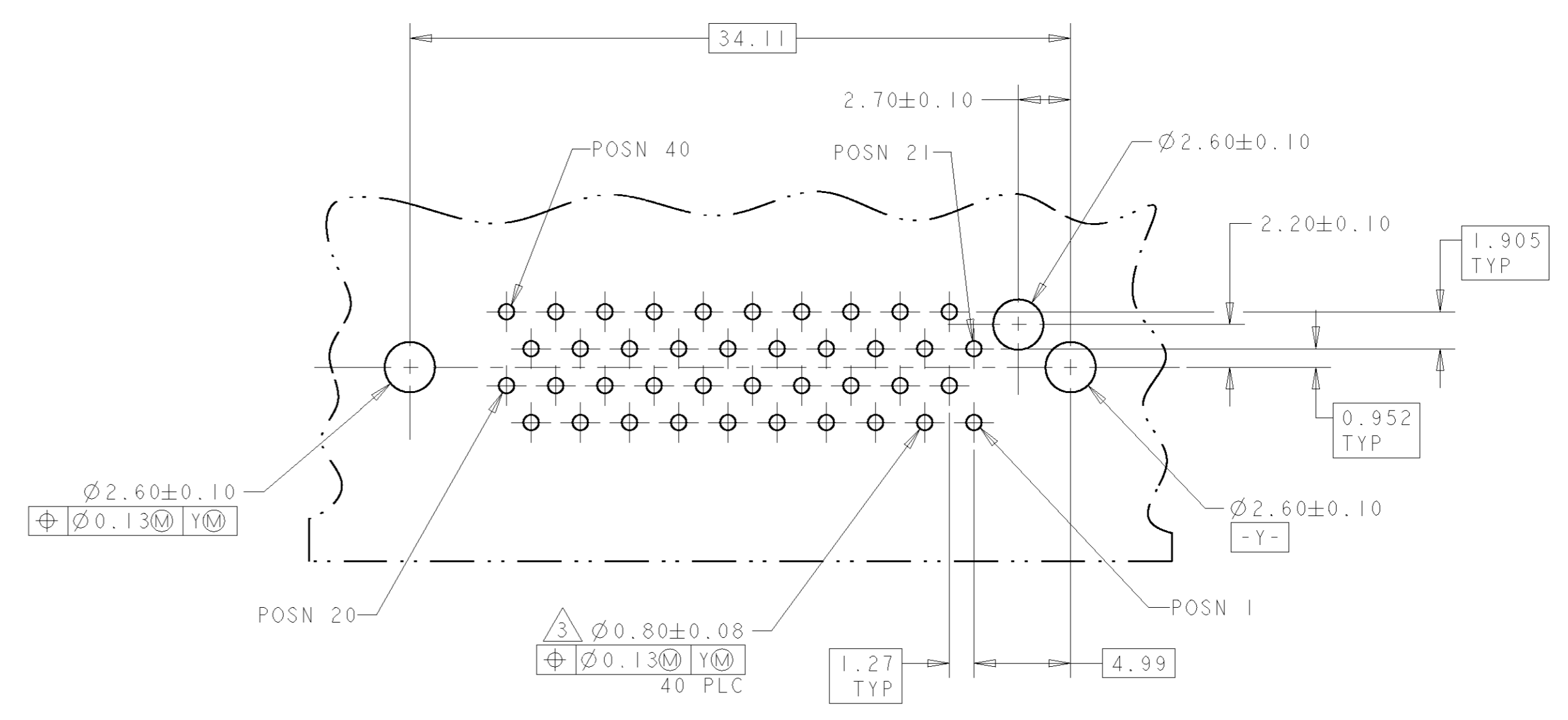
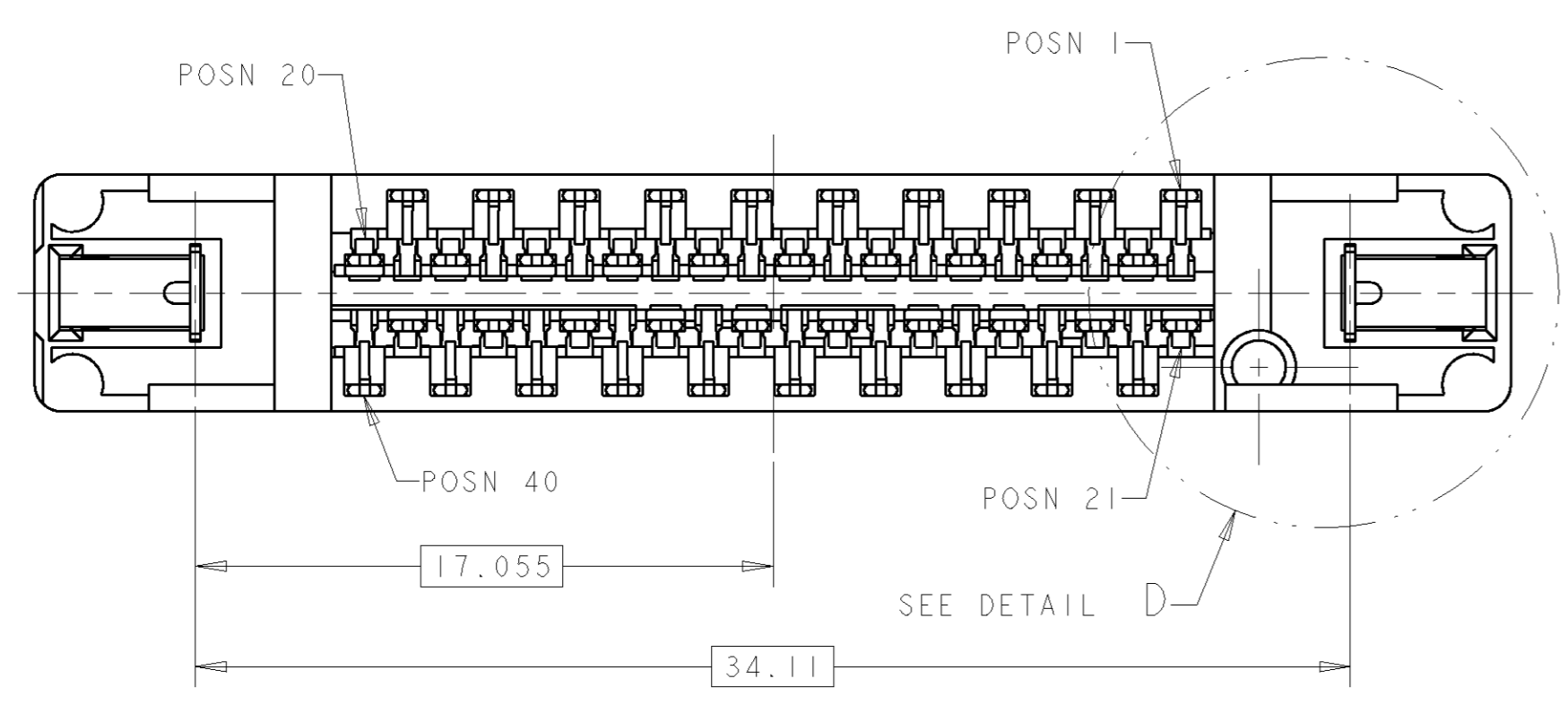
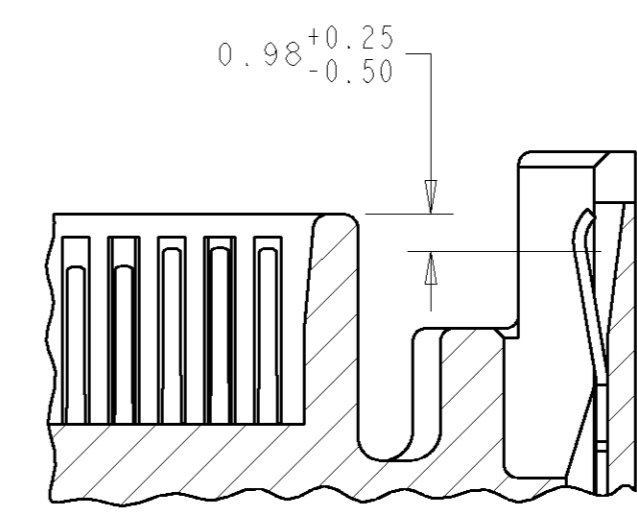
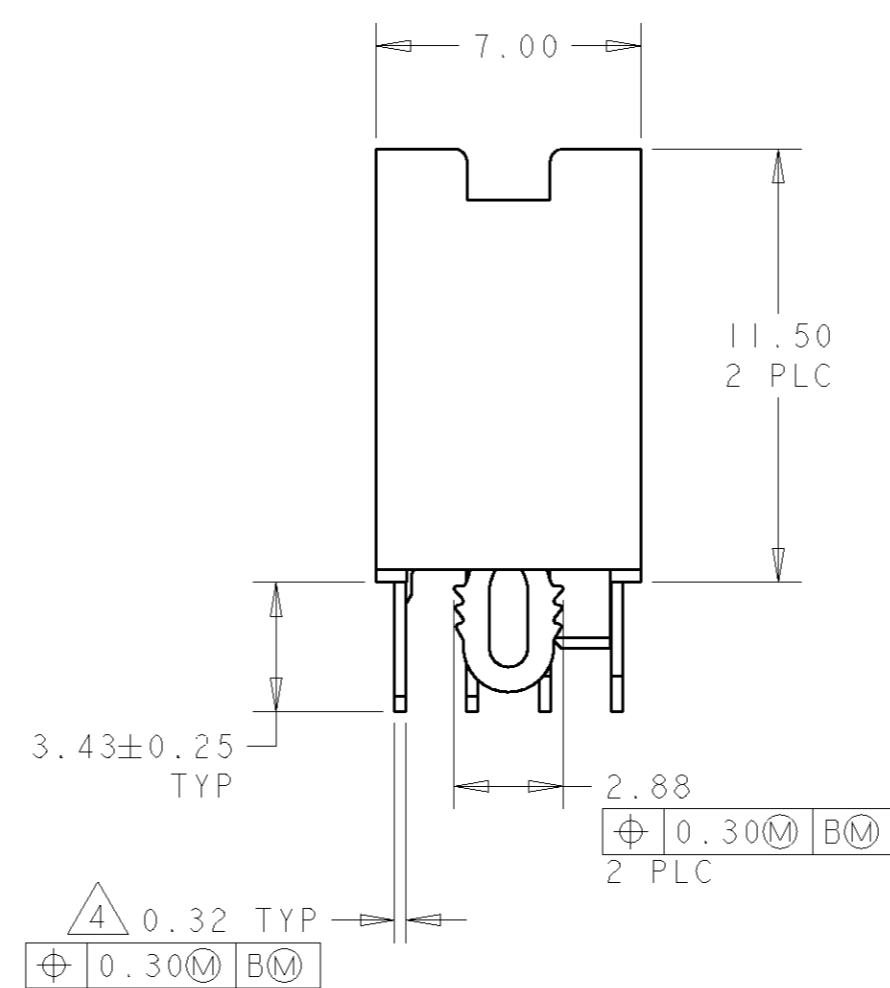
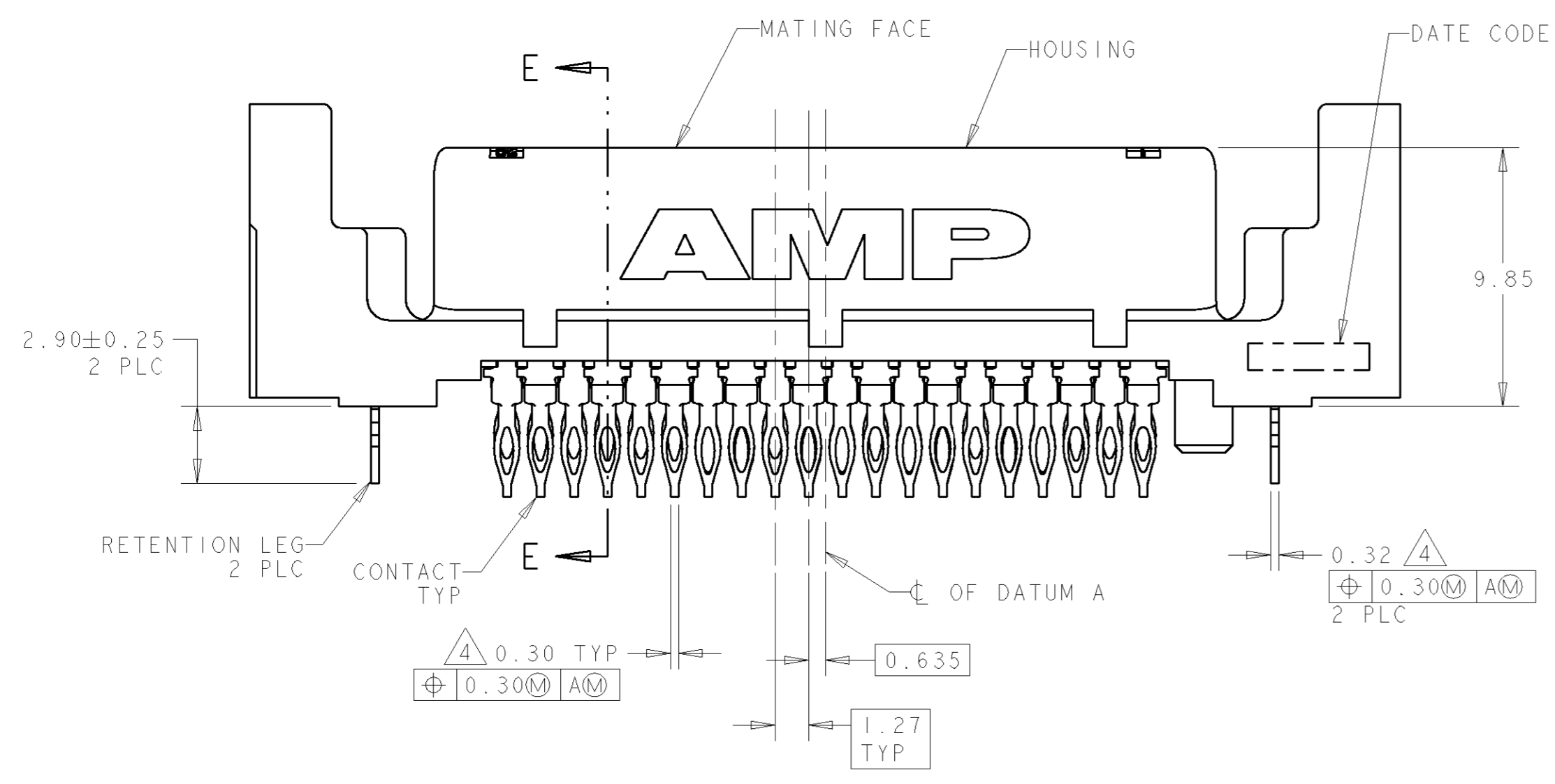
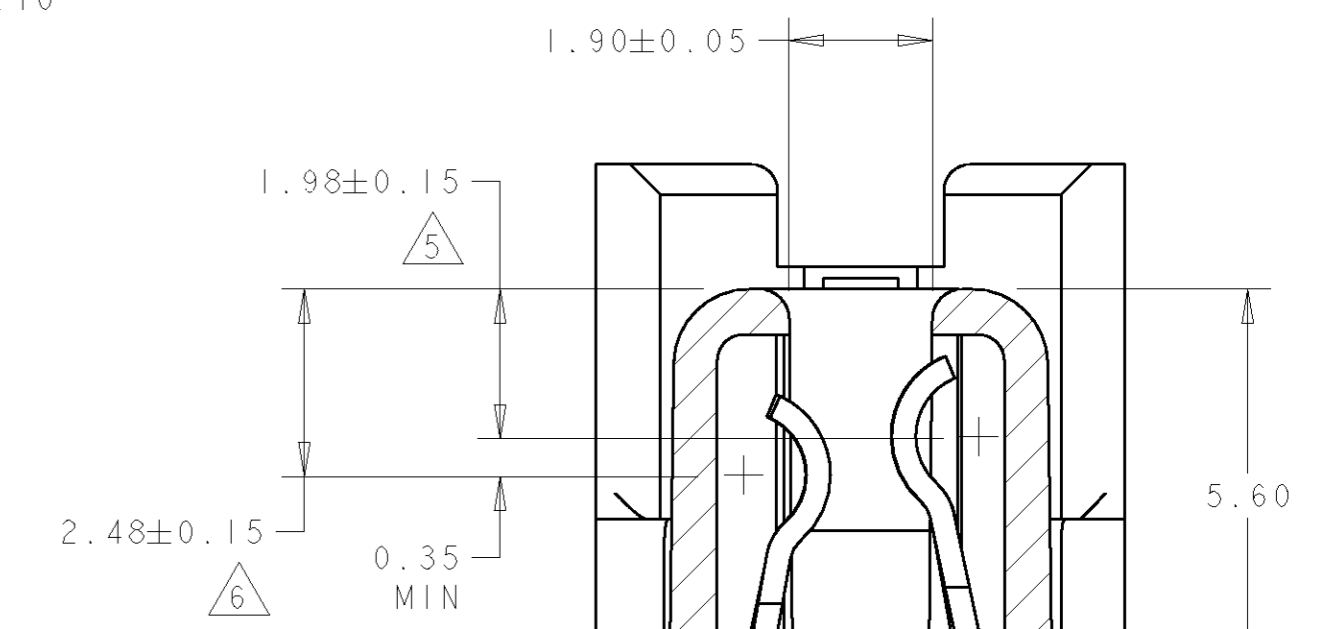
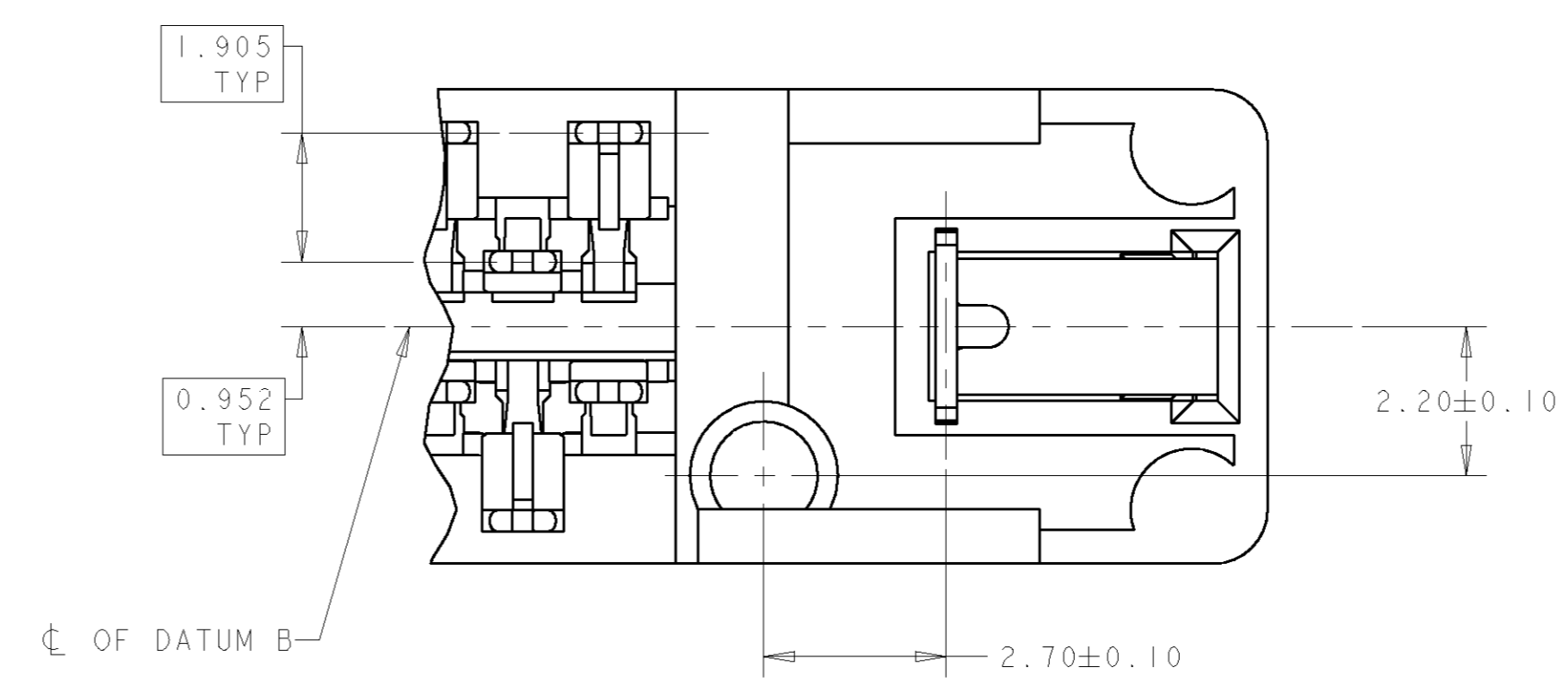
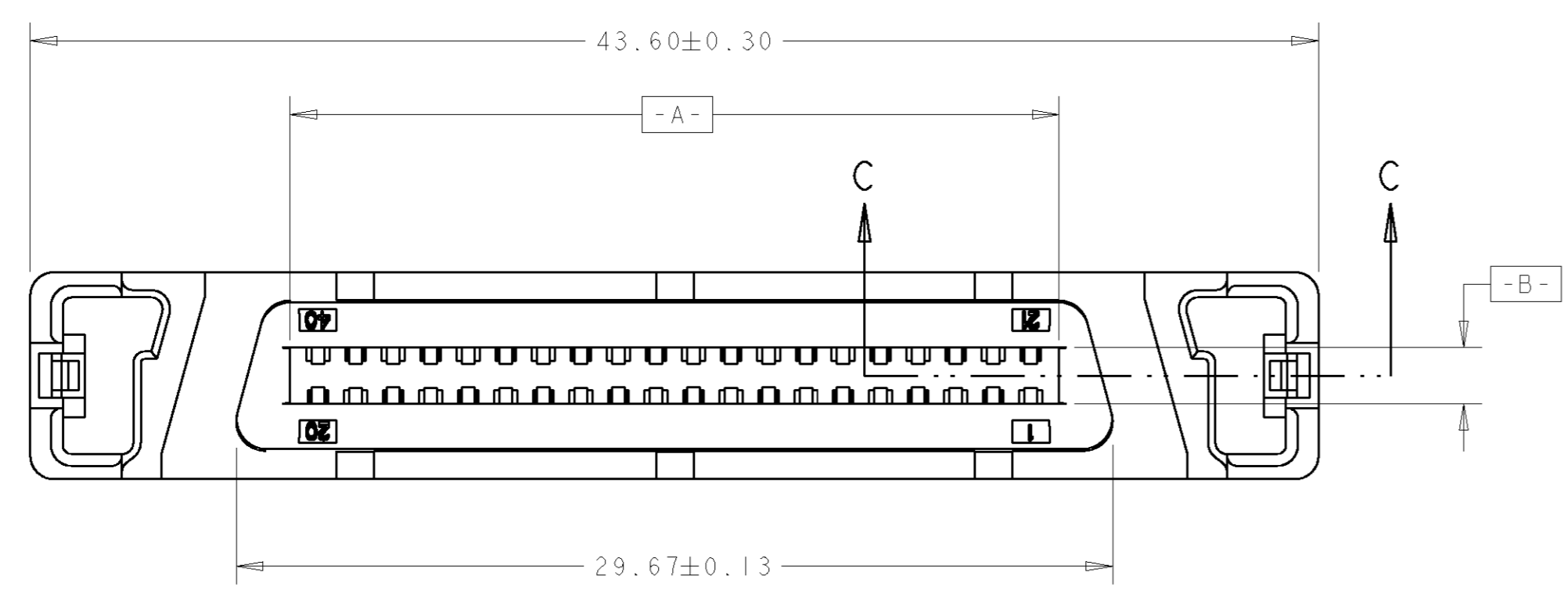
Tel: +86-755-8981 8866 Fax: +86-755-8427 6832

Email & Skype: info@chipsmall.com Web: www.chipsmall.com

Address: A1208, Overseas Decoration Building, #122 Zhenhua RD., Futian, Shenzhen, China



LOC	DIST	REVISIONS			
F	LTR	DESCRIPTION	DATE	DWN	APPD
C		REVISED PER EC 0513-0543-04	04MAR05	JG	SS



RECOMMENDED PC BOARD MOUNTING DIMENSIONS COMPONENT SIDE SCALE 4:1

- 1 HOUSING: LCP, UL 94V-0 RATED, BLACK. CONTACTS: PHOSPHOR BRONZE. RETENTION LEG: BRASS.
- 2 0.76µm GOLD FOR A LENGTH OF 1.20 MIN STARTING 0.50 MAX FROM MATING END, 1.27µm-3.81µm TIN-LEAD FOR A LENGTH OF 3.43 MIN FROM OPPOSITE END, BOTH OVER 1.27µm MIN NICKEL.
- 3 RECOMMENDED DRILLED HOLE SIZE BEFORE PLATING IS Ø0.87 TO Ø0.93.
- 4 POSITION TOLERANCE APPLIES AT CONTACT TIP ONLY.
- 5 DIMENSION APPLIES TO CONTACT POSITIONS 21, 22, 23, 26, 29, 32, AND 35 THRU 40.
- 6 DIMENSION APPLIES TO CONTACT POSITIONS 1 THRU 20, 24, 25, 27, 28, 30, 31, 33, AND 34.
- 7 3.81µm MIN TIN-LEAD OVER 1.27µm MIN NICKEL.
- 8 RECOMMENDED PC BOARD THICKNESS IS 2.36 TO 3.81.
- 9 0.76µm GOLD FOR A LENGTH OF 1.20 MIN STARTING 0.50 MAX FROM MATING END, 1.27µm-3.81µm MATTE TIN FOR A LENGTH OF 3.43 MIN FROM OPPOSITE END, BOTH OVER 1.27µm MIN NICKEL.
- 10 3.81µm MIN HALT TIN OVER 1.27µm MIN NICKEL.

RETENTION LEG FINISH	CONTACT FINISH	796068-3
		796068-1
		PART NUMBER

DWN: R. FOLTZ 07NOV97 CHK: J. SWANK 10NOV97 APPD: J. SWANK 10NOV97		AMP Incorporated Harrisburg, PA 17105-3608	
DIMENSIONS: mm TOLERANCES UNLESS OTHERWISE SPECIFIED: 0 PLC ± 1 PLC ±0.10 2 PLC ± 3 PLC ± 4 PLC ± ANGLES ±		NAME: RECEPTACLE ASSEMBLY, VERTICAL, 40 POSITION, PRESS FIT, CHAMP™ BLINDMATE .050 SERIES I PRODUCT SPEC: 108-1548 APPLICATION SPEC: SIZE: A1 CAGE CODE: 00779 DRAWING NO: 796068	
MATERIAL: SEE TABLE FINISH:		WEIGHT: - CUSTOMER DRAWING: SCALE 5:1 SHEET 1 OF 1 REV C	