



Chipsmall Limited consists of a professional team with an average of over 10 year of expertise in the distribution of electronic components. Based in Hongkong, we have already established firm and mutual-benefit business relationships with customers from,Europe,America and south Asia,supplying obsolete and hard-to-find components to meet their specific needs.

With the principle of “Quality Parts,Customers Priority,Honest Operation,and Considerate Service”,our business mainly focus on the distribution of electronic components. Line cards we deal with include Microchip,ALPS,ROHM,Xilinx,Pulse,ON,Everlight and Freescale. Main products comprise IC,Modules,Potentiometer,IC Socket,Relay,Connector.Our parts cover such applications as commercial,industrial, and automotives areas.

We are looking forward to setting up business relationship with you and hope to provide you with the best service and solution. Let us make a better world for our industry!



Contact us

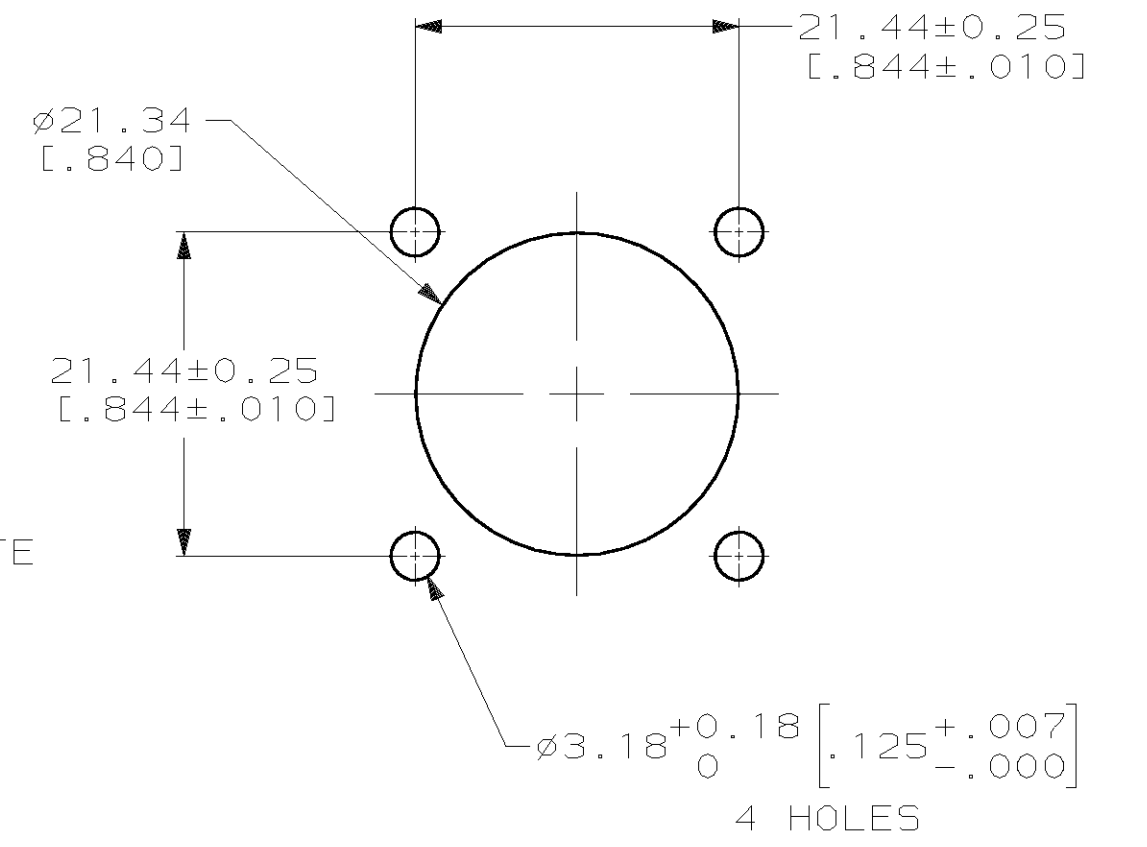
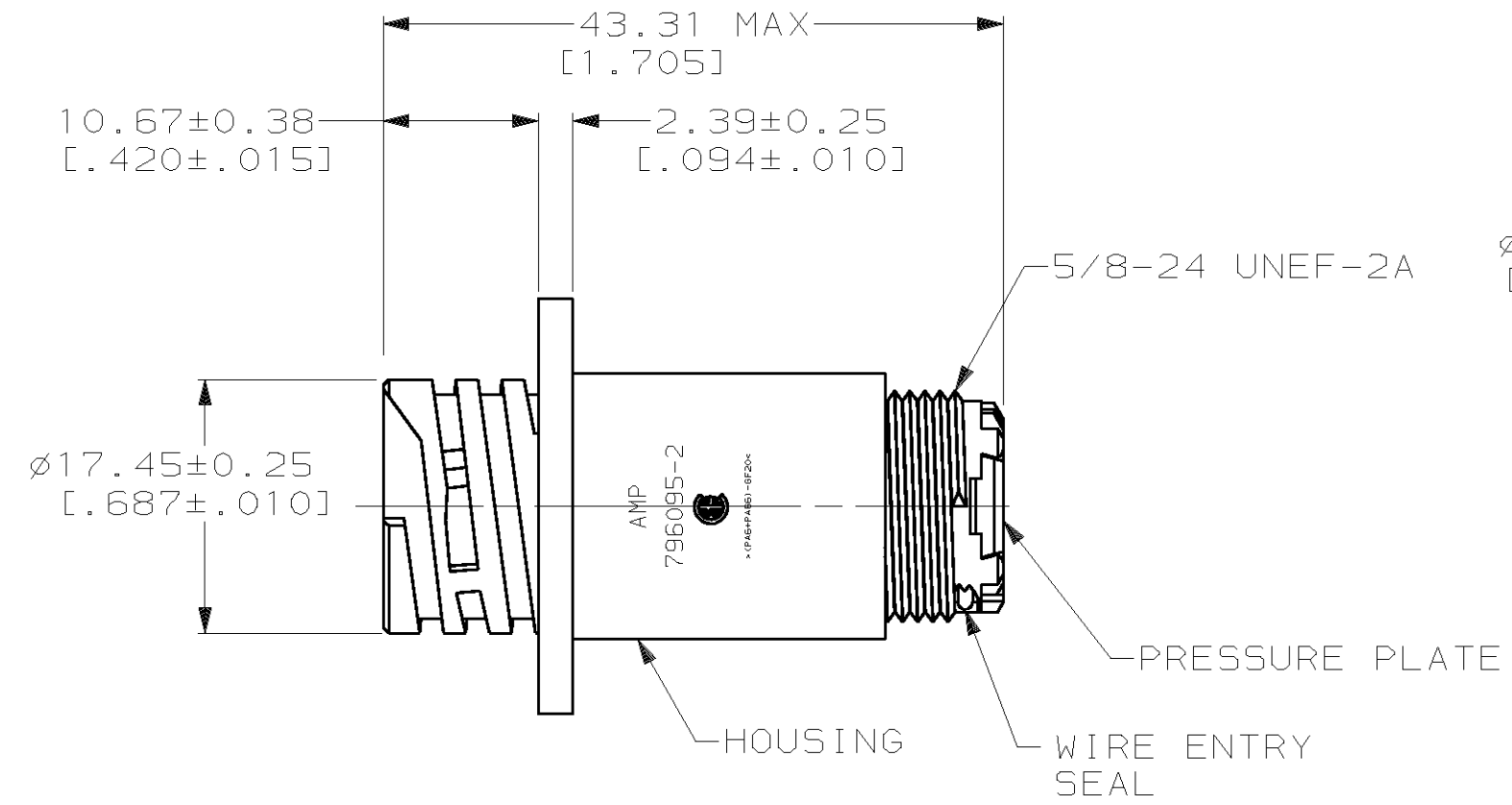
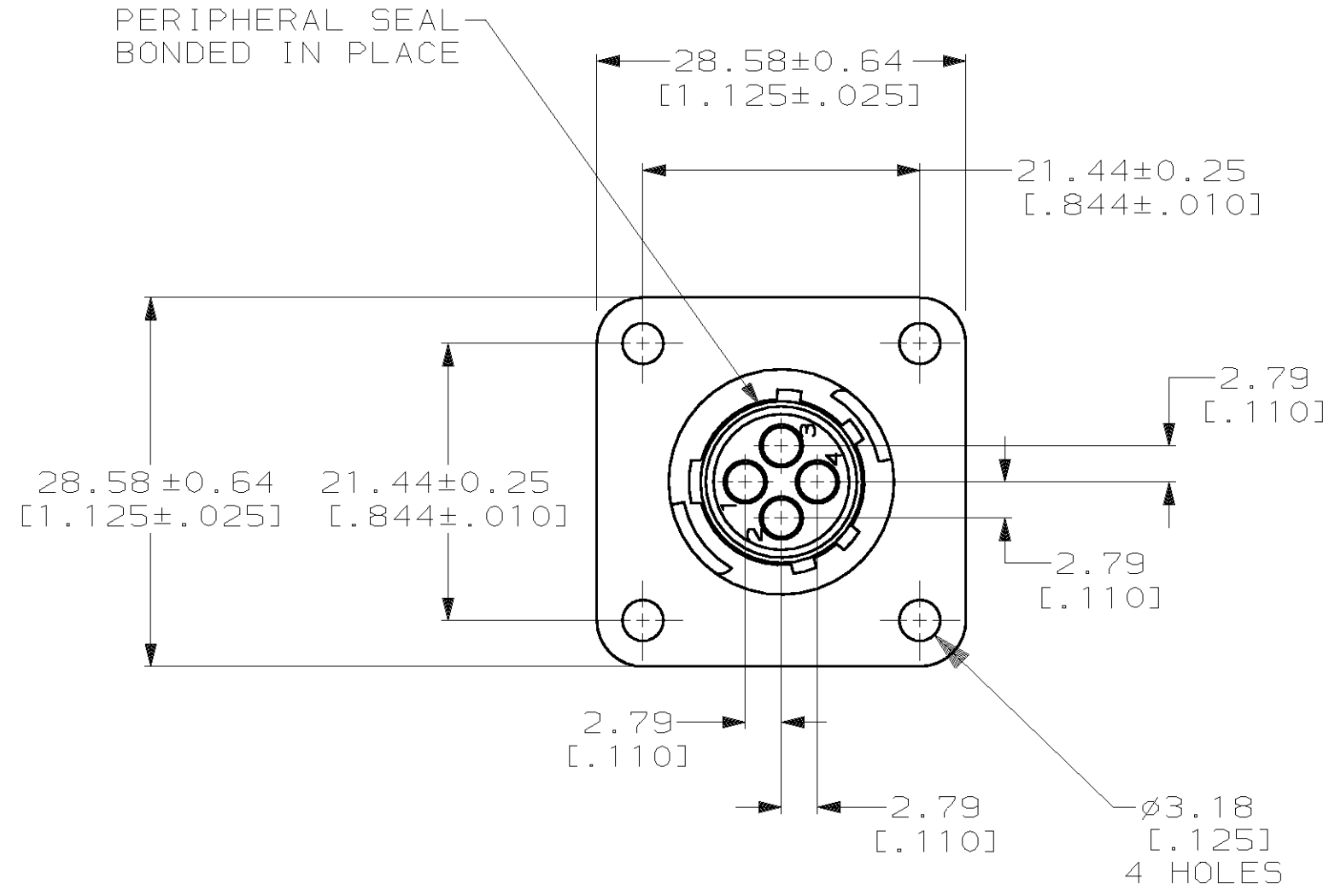
Tel: +86-755-8981 8866 Fax: +86-755-8427 6832

Email & Skype: info@chipsmall.com Web: www.chipsmall.com

Address: A1208, Overseas Decoration Building, #122 Zhenhua RD., Futian, Shenzhen, China



LOC	DIST	REVISIONS			
P	LTR	DESCRIPTION	DATE	DWN	APVD
0		RELEASED PER NPR 5710 WAS 98-7970-13-2	25 SEP 98	-	-
A		REV PER EC 063B-0286-01	15 JAN 02	MHC	SH



RECOMMENDED PANEL CUTOUT

1. THIS PART WILL ACCEPT FOUR (4) MULTIMATE PIN CONTACTS.

- 2 HOUSING AND PRESSURE PLATE: NYLON, BLACK.
- PERIPHERAL SEAL: ELASTOMER, GRAY.
- WIRE ENTRY SEAL: ELASTOMER, RED-IRON OXIDE.

796095-2
PART NUMBER

THIS DRAWING IS A CONTROLLED DOCUMENT.		DWN C. DORWART 25 SEP 98	AMP AMP Incorporated Harrisburg, PA 17105-3608																	
		CHK R. WALTER 25 SEP 98																		
DIMENSIONS: mm [INCHES]		APVD R. WALTER 25 SEP 98	NAME RECEPTACLE ASSEMBLY, 11-4, STANDARD SEX, SERIES I, SEALED, CIRCULAR PLASTIC CONNECTOR																	
TOLERANCES UNLESS OTHERWISE SPECIFIED:		PRODUCT SPEC																		
<table border="0"> <tr><td>0 PLC</td><td>±</td><td>-</td></tr> <tr><td>1 PLC</td><td>±</td><td>-</td></tr> <tr><td>2 PLC</td><td>±0.13</td><td>[0.005]</td></tr> <tr><td>3 PLC</td><td>±</td><td>-</td></tr> <tr><td>4 PLC</td><td>±</td><td>-</td></tr> <tr><td>ANGLES</td><td>±</td><td>-</td></tr> </table>		0 PLC	±	-	1 PLC	±	-	2 PLC	±0.13	[0.005]	3 PLC	±	-	4 PLC	±	-	ANGLES	±	-	APPLICATION SPEC
0 PLC	±	-																		
1 PLC	±	-																		
2 PLC	±0.13	[0.005]																		
3 PLC	±	-																		
4 PLC	±	-																		
ANGLES	±	-																		
MATERIAL -	FINISH -	WEIGHT -	RESTRICTED TO																	
CUSTOMER DRAWING			SCALE 2:1 SHEET 1 OF 1 REV A																	