



Chipsmall Limited consists of a professional team with an average of over 10 year of expertise in the distribution of electronic components. Based in Hongkong, we have already established firm and mutual-benefit business relationships with customers from,Europe,America and south Asia,supplying obsolete and hard-to-find components to meet their specific needs.

With the principle of “Quality Parts,Customers Priority,Honest Operation,and Considerate Service”,our business mainly focus on the distribution of electronic components. Line cards we deal with include Microchip,ALPS,ROHM,Xilinx,Pulse,ON,Everlight and Freescale. Main products comprise IC,Modules,Potentiometer,IC Socket,Relay,Connector.Our parts cover such applications as commercial,industrial, and automotives areas.

We are looking forward to setting up business relationship with you and hope to provide you with the best service and solution. Let us make a better world for our industry!



## Contact us

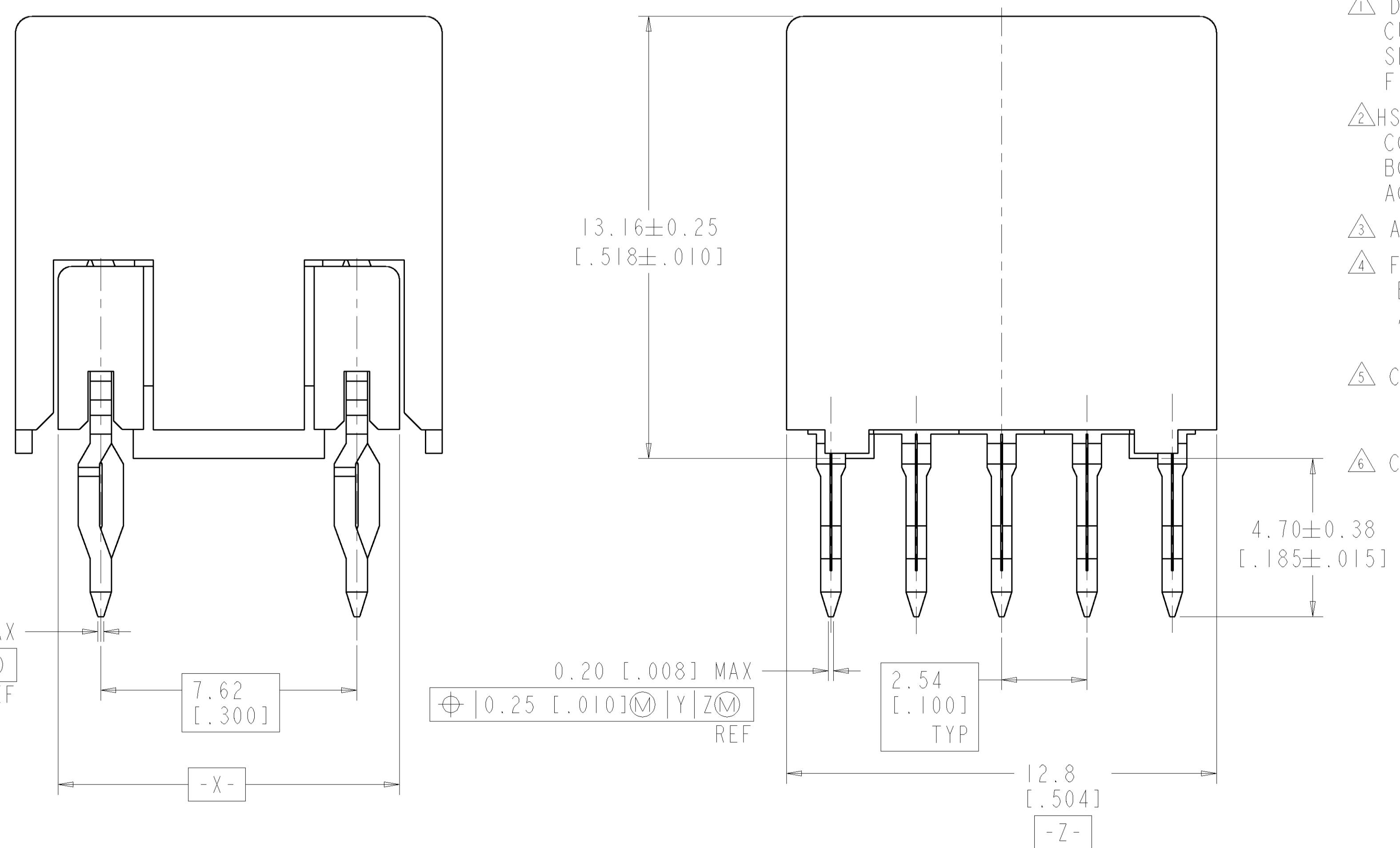
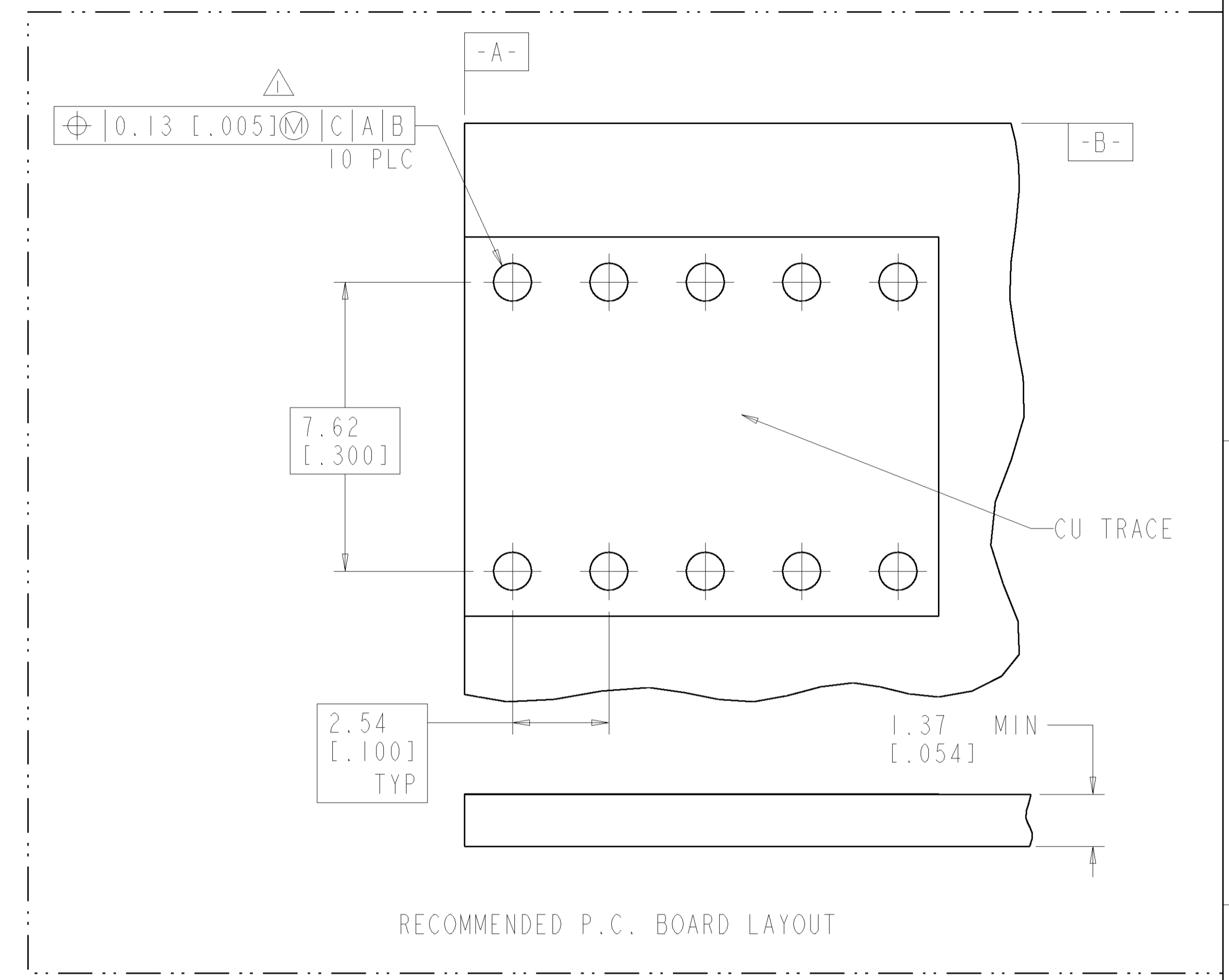
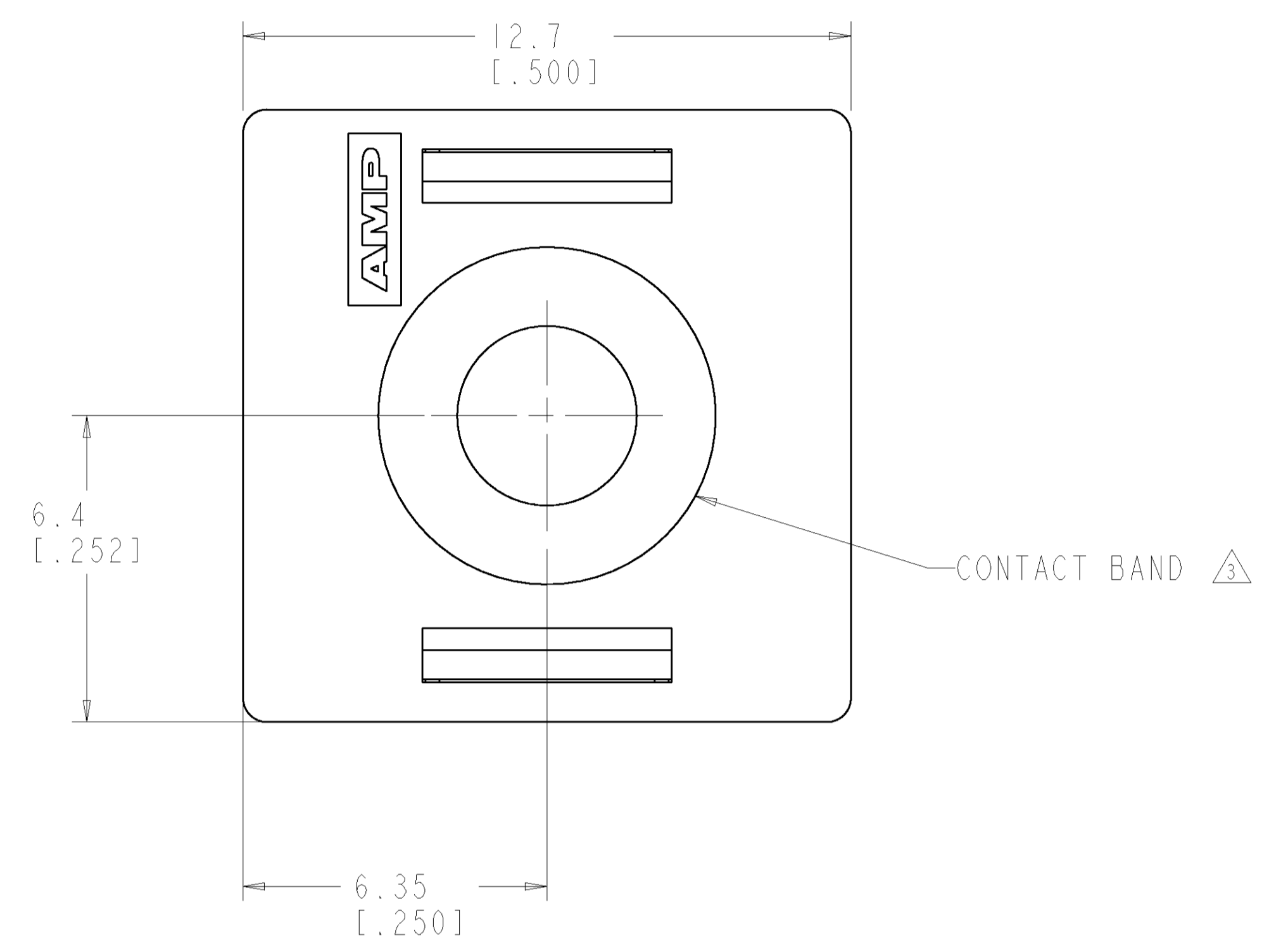
Tel: +86-755-8981 8866 Fax: +86-755-8427 6832

Email & Skype: info@chipsmall.com Web: www.chipsmall.com

Address: A1208, Overseas Decoration Building, #122 Zhenhua RD., Futian, Shenzhen, China



LOC		DIST		REVISIONS			
AD	47	P	LTR	DESCRIPTION	DATE	DWN	APVD
		O		RELEASED PER PPR B009426-0011	23AUG99	DKS	RAP
		A		REVISED PER QUIB-0005-00	02FEB00	DKS	RAP
		B		REVISED PER QUIB-0037-00	10APR00	DKS	RAP
		C		REV PER 0S12-0576-04	02JUN2005	RG	AF



- △ DRILLED HOLE DIAMETER 1.15±0.03 [0.0453±.001].  
 CU THICKNESS 0.03-0.08 [0.001-.003].  
 SN THICKNESS 8µm [0.0003] MIN.  
 FINISHED HOLE AFTER PLATING 0.94-1.09 [0.037-.043].
- △ HSG: THERMOPLASTIC, BLACK  
 CONTACT BAND: COPPER ALLOY  
 BODY: ZINC ALLOY  
 ACTION PIN CONTACT: BRONZE ALLOY
- △ ACCEPTS 3.58±0.025 MATING PIN [0.141±.001].
- △ FINISHES:  
 BODY: 5.08µm [0.0002] MIN SILVER OVER 2.54µm [0.0001] MIN COPPER  
 ACTION PIN: 5.08µm [0.0002] MIN SILVER OVER 1.27µm [0.00005] MIN NICKEL
- △ CONTACT BAND FINISH: 5.08µm [0.0002] MIN SILVER  
 OVER 1.02µm [0.00004] MIN NICKEL.
- △ CONTACT BAND FINISH: .76µm [0.00003] MIN GOLD  
 OVER 1.02µm [0.00004] MIN NICKEL.

CONTACT BAND FINISH	DESCRIPTION	PART NUMBER
△6	RECEPTACLE	796138-2
△5	RECEPTACLE	796138-1

DIMENSIONS: mm [INCHES]	TOLERANCES UNLESS OTHERWISE SPECIFIED: 0 PLC ±.13 [0.0053] 1 PLC ±.13 [0.0053] 2 PLC ±.13 [0.0053] 3 PLC ±.13 [0.0053] 4 PLC ±.13 [0.0053] ANGLES ±.13 [0.0053]	DWN MDL 26 JAN 99 ENR MDL 26 JAN 99 APVD MDL 26 JAN 99 PRODUCT SPEC 108-1624-1 APPLICATION SPEC 114-11000 WEIGHT - CUSTOMER DRAWING	AMP Incorporated Harrisburg, PA 17105-3608 NAME RECEPTACLE ASSEMBLY VERTICAL, BOARD TO BOARD, POWER TAP SIZE CAGE CODE DRAWING NO RESTRICTED TO A1 00779 C=796138 - SCALE 10:1 SHEET 1 OF 1 REV C
----------------------------	---	---	--