



Chipsmall Limited consists of a professional team with an average of over 10 year of expertise in the distribution of electronic components. Based in Hongkong, we have already established firm and mutual-benefit business relationships with customers from,Europe,America and south Asia,supplying obsolete and hard-to-find components to meet their specific needs.

With the principle of “Quality Parts,Customers Priority,Honest Operation,and Considerate Service”,our business mainly focus on the distribution of electronic components. Line cards we deal with include Microchip,ALPS,ROHM,Xilinx,Pulse,ON,Everlight and Freescale. Main products comprise IC,Modules,Potentiometer,IC Socket,Relay,Connector.Our parts cover such applications as commercial,industrial, and automotives areas.

We are looking forward to setting up business relationship with you and hope to provide you with the best service and solution. Let us make a better world for our industry!



Contact us

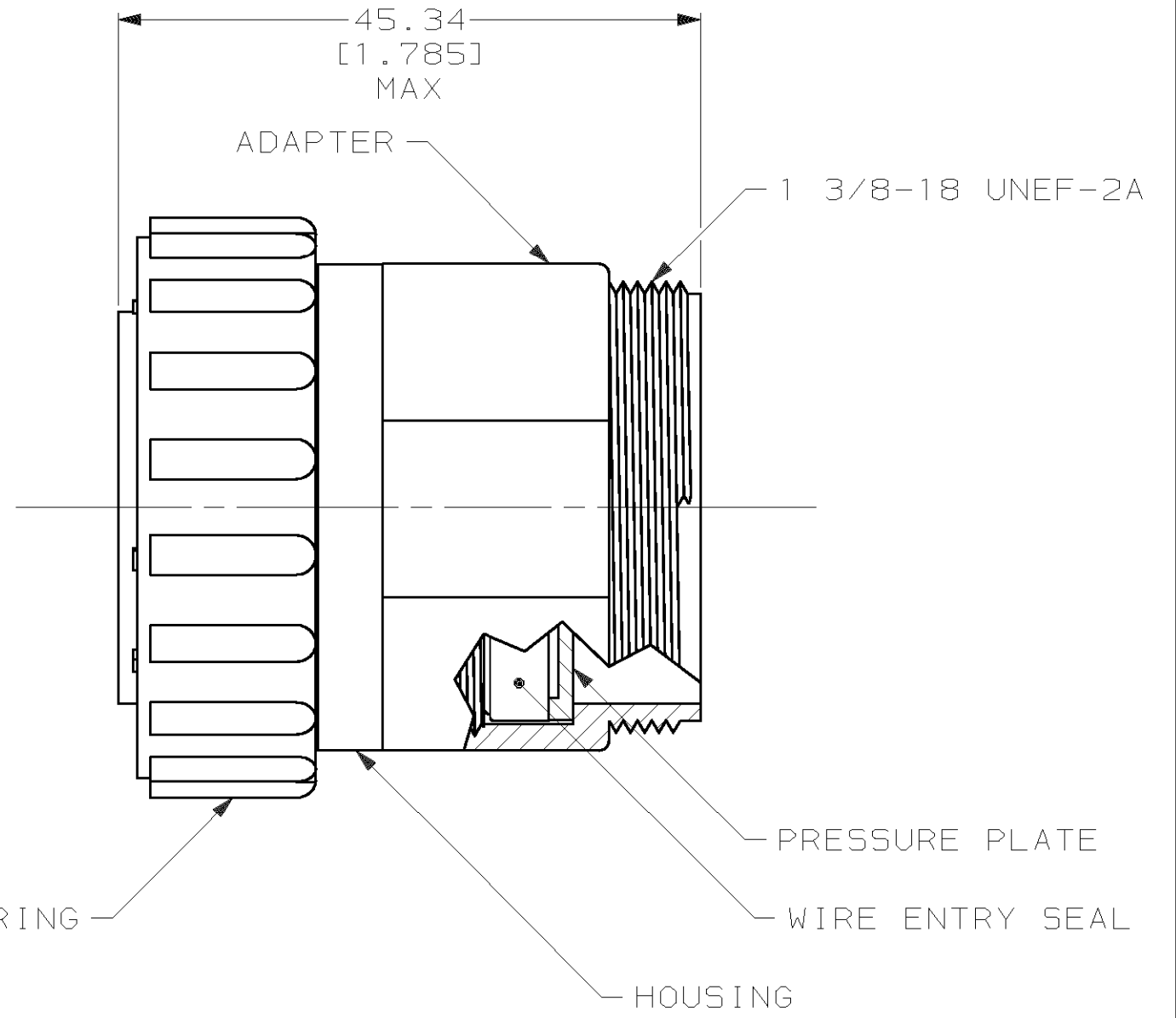
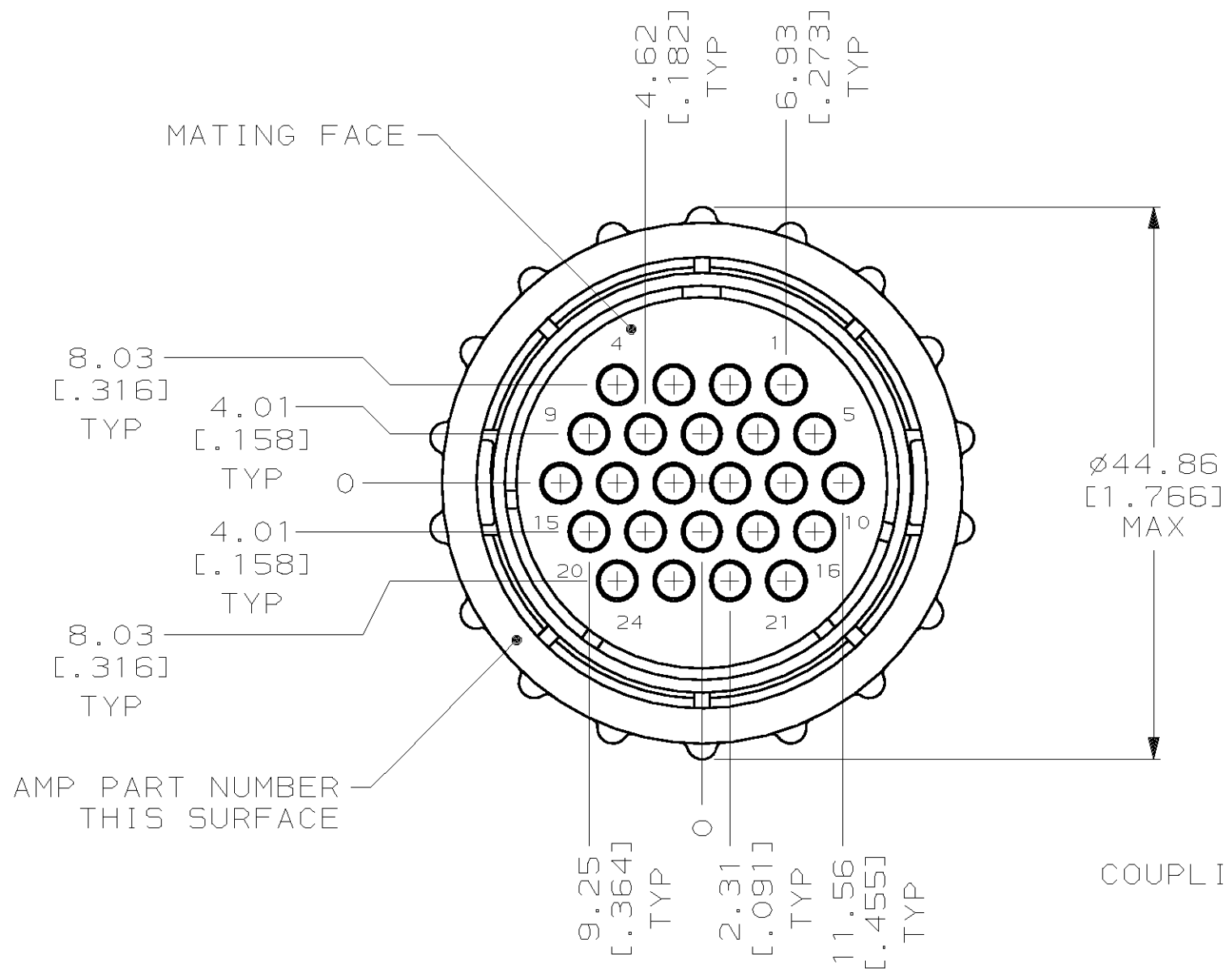
Tel: +86-755-8981 8866 Fax: +86-755-8427 6832

Email & Skype: info@chipsmall.com Web: www.chipsmall.com

Address: A1208, Overseas Decoration Building, #122 Zhenhua RD., Futian, Shenzhen, China



LOC	DIST	REVISIONS			
P	LTR	DESCRIPTION	DATE	DWN	APVD
FT	0	A	REVISE PER ECN 063B-0348-00	14AUG00	SU HS



796188-1
 PART NUMBER

- 1 HOUSING, ADAPTER AND PRESSURE PLATE: NYLON, BLACK. COUPLING RING: POLYESTER, BLACK. WIRE ENTRY SEAL: ELASTOMER, RED-IRON OXIDE.
- 2. CONNECTOR WILL ACCEPT (24) MULTIMATE SOCKET CONTACTS.

THIS DRAWING IS A CONTROLLED DOCUMENT.		DWN C. DORWART 13 JUL 98	AMP AMP Incorporated Harrisburg, PA 17105-3608
DIMENSIONS: mm [INCHES]		CHK K. DOWHOWER 10 AUG 99	
TOLERANCES UNLESS OTHERWISE SPECIFIED:		APVD K. DOWHOWER 10 AUG 99	NAME PLUG ASSEMBLY, STANDARD SEX, SIZE 23-24, SEALED CPC
0 PLC ±-		PRODUCT SPEC 108-1579	SIZE A3
1 PLC ±-		APPLICATION SPEC -	CAGE CODE 00779
2 PLC ±0.13 [.005]		WEIGHT -	DRAWING NO C- 796188
3 PLC ±-		CUSTOMER DRAWING	RESTRICTED TO -
4 PLC ±-		SCALE 2:1	SHEET 1 OF 1
ANGLES ±-			REV A
FINISH -			