



Chipsmall Limited consists of a professional team with an average of over 10 year of expertise in the distribution of electronic components. Based in Hongkong, we have already established firm and mutual-benefit business relationships with customers from,Europe,America and south Asia,supplying obsolete and hard-to-find components to meet their specific needs.

With the principle of "Quality Parts,Customers Priority,Honest Operation,and Considerate Service",our business mainly focus on the distribution of electronic components. Line cards we deal with include Microchip,ALPS,ROHM,Xilinx,Pulse,ON,Everlight and Freescale. Main products comprise IC,Modules,Potentiometer,IC Socket,Relay,Connector.Our parts cover such applications as commercial,industrial, and automotives areas.

We are looking forward to setting up business relationship with you and hope to provide you with the best service and solution. Let us make a better world for our industry!



Contact us

Tel: +86-755-8981 8866 Fax: +86-755-8427 6832

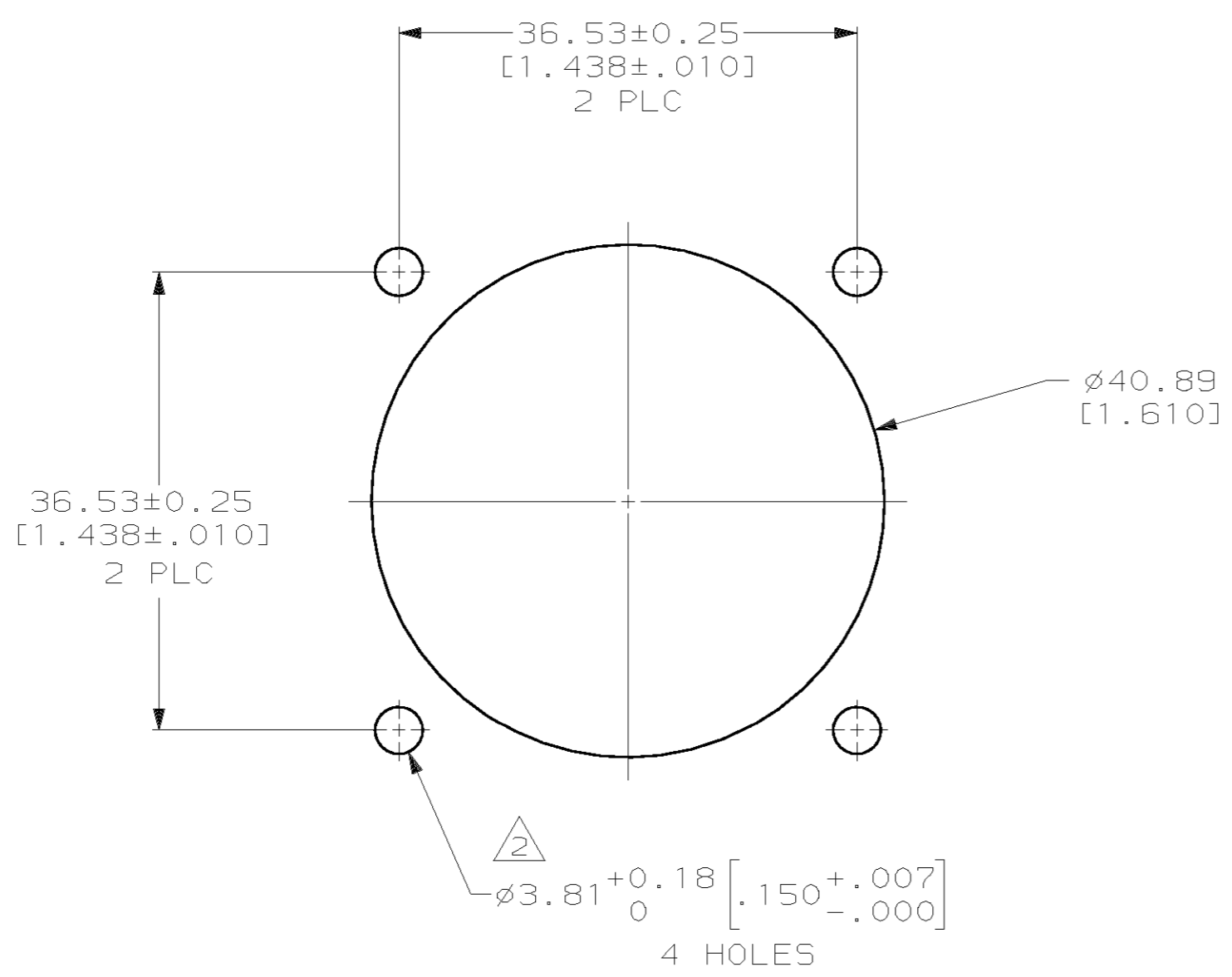
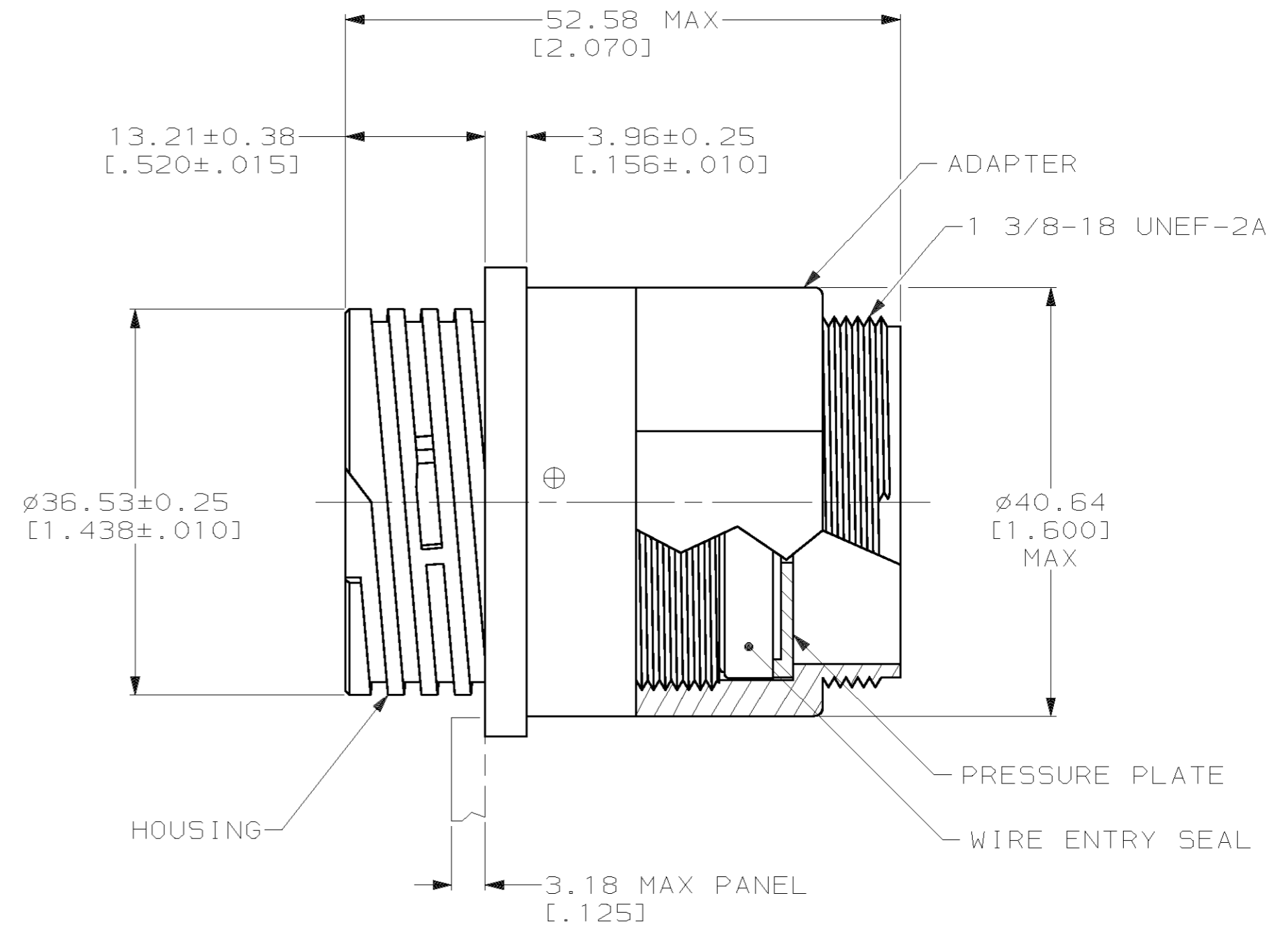
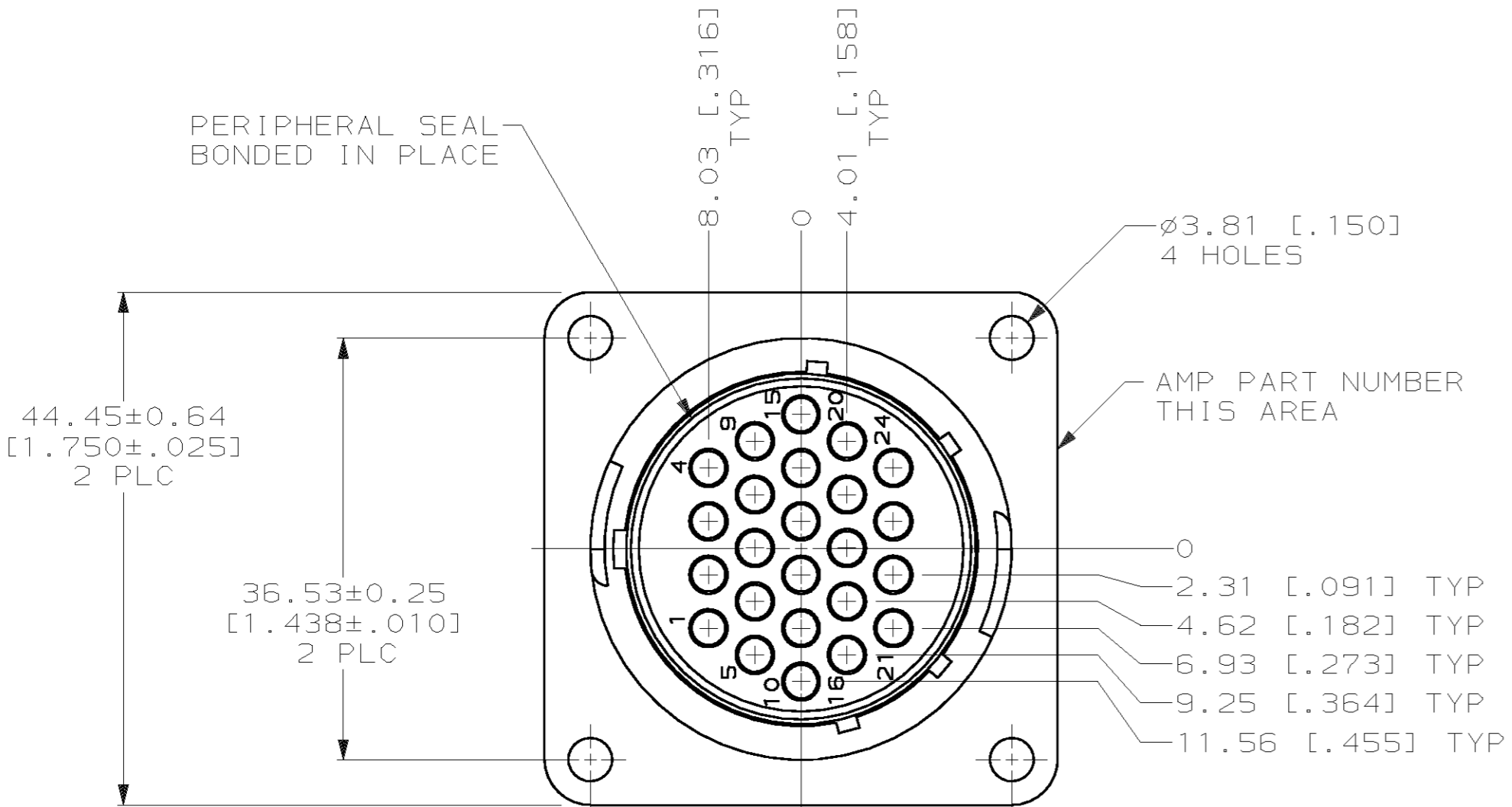
Email & Skype: info@chipsmall.com Web: www.chipsmall.com

Address: A1208, Overseas Decoration Building, #122 Zhenhua RD., Futian, Shenzhen, China



THIS DRAWING IS UNPUBLISHED. RELEASED FOR PUBLICATION .19
 © COPYRIGHT 19 BY AMP INCORPORATED. ALL RIGHTS RESERVED.

LOC		DIST		REVISIONS			
P	LTR	DESCRIPTION	DATE	DWN	APVD		
FT	0	A	REVISE PER ECN 063B-0348-00	14AUG00	SU	H5	



- 1 HOUSING, ADAPTER AND PRESSURE PLATE: NYLON, BLACK. WIRE ENTRY SEAL: ELASTOMER, RED-IRON OXIDE. PERIPHERAL SEAL: ELASTOMER, GREY.
- 2 NUMBER 4 FASTENERS RECOMMENDED FOR MOUNTING.
- 3. CONNECTOR WILL ACCEPT (24) MULTIMATE PIN CONTACTS.

796190-1
PART NUMBER

THIS DRAWING IS A CONTROLLED DOCUMENT.		DWN C.DORWART 16 JUL 98	AMP Incorporated Harrisburg, PA 17105-3608	
DIMENSIONS: mm [INCHES]		CHK K.DOWHOWER 10 AUG 99	AMP	
TOLERANCES UNLESS OTHERWISE SPECIFIED:		APVD K.DOWHOWER 10 AUG 99	NAME RECEPTACLE ASSEMBLY, STANDARD SEX, SIZE 23-24, SEALED CPC	
0 PLC ±-	1 PLC ±-	PRODUCT SPEC 108-1579	SIZE A2	CAGE CODE 00779
2 PLC ±0.13 [.005]	3 PLC ±-	APPLICATION SPEC	DRAWING NO 796190	RESTRICTED TO
4 PLC ±-	ANGLES ±-	MATERIAL 1	WEIGHT -	SCALE 2:1
FINISH -		CUSTOMER DRAWING		SHEET 1 OF 1
				REV A

RECOMMENDED PANEL CUTOUT

796190