



Chipsmall Limited consists of a professional team with an average of over 10 year of expertise in the distribution of electronic components. Based in Hongkong, we have already established firm and mutual-benefit business relationships with customers from,Europe,America and south Asia,supplying obsolete and hard-to-find components to meet their specific needs.

With the principle of “Quality Parts,Customers Priority,Honest Operation,and Considerate Service”,our business mainly focus on the distribution of electronic components. Line cards we deal with include Microchip,ALPS,ROHM,Xilinx,Pulse,ON,Everlight and Freescale. Main products comprise IC,Modules,Potentiometer,IC Socket,Relay,Connector.Our parts cover such applications as commercial,industrial, and automotives areas.

We are looking forward to setting up business relationship with you and hope to provide you with the best service and solution. Let us make a better world for our industry!



Contact us

Tel: +86-755-8981 8866 Fax: +86-755-8427 6832

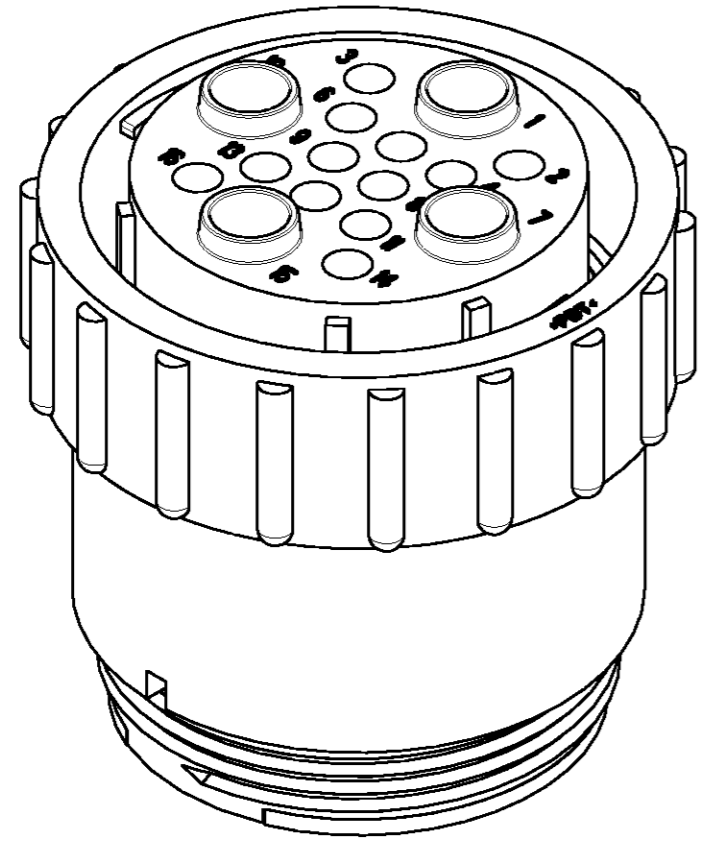
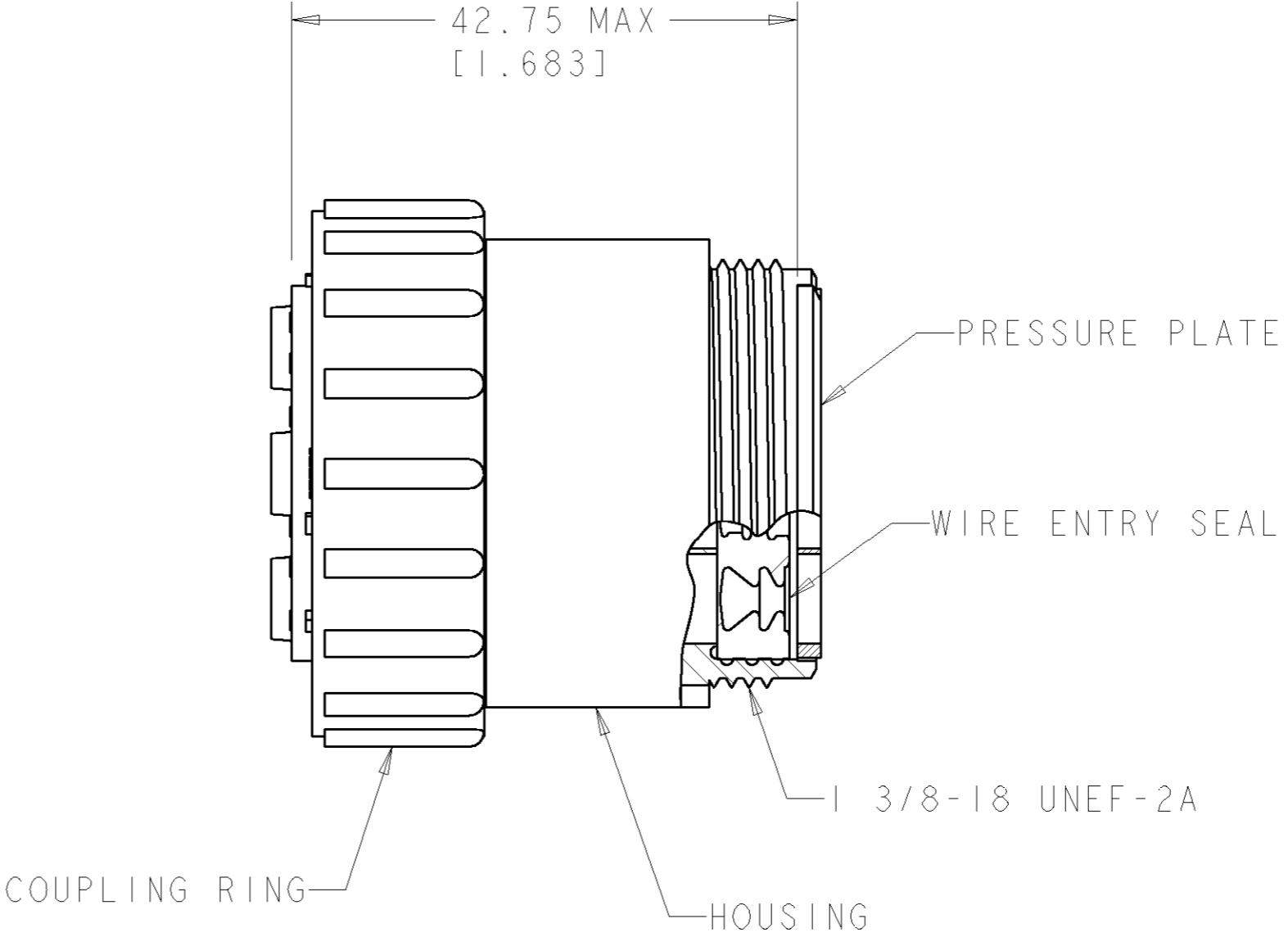
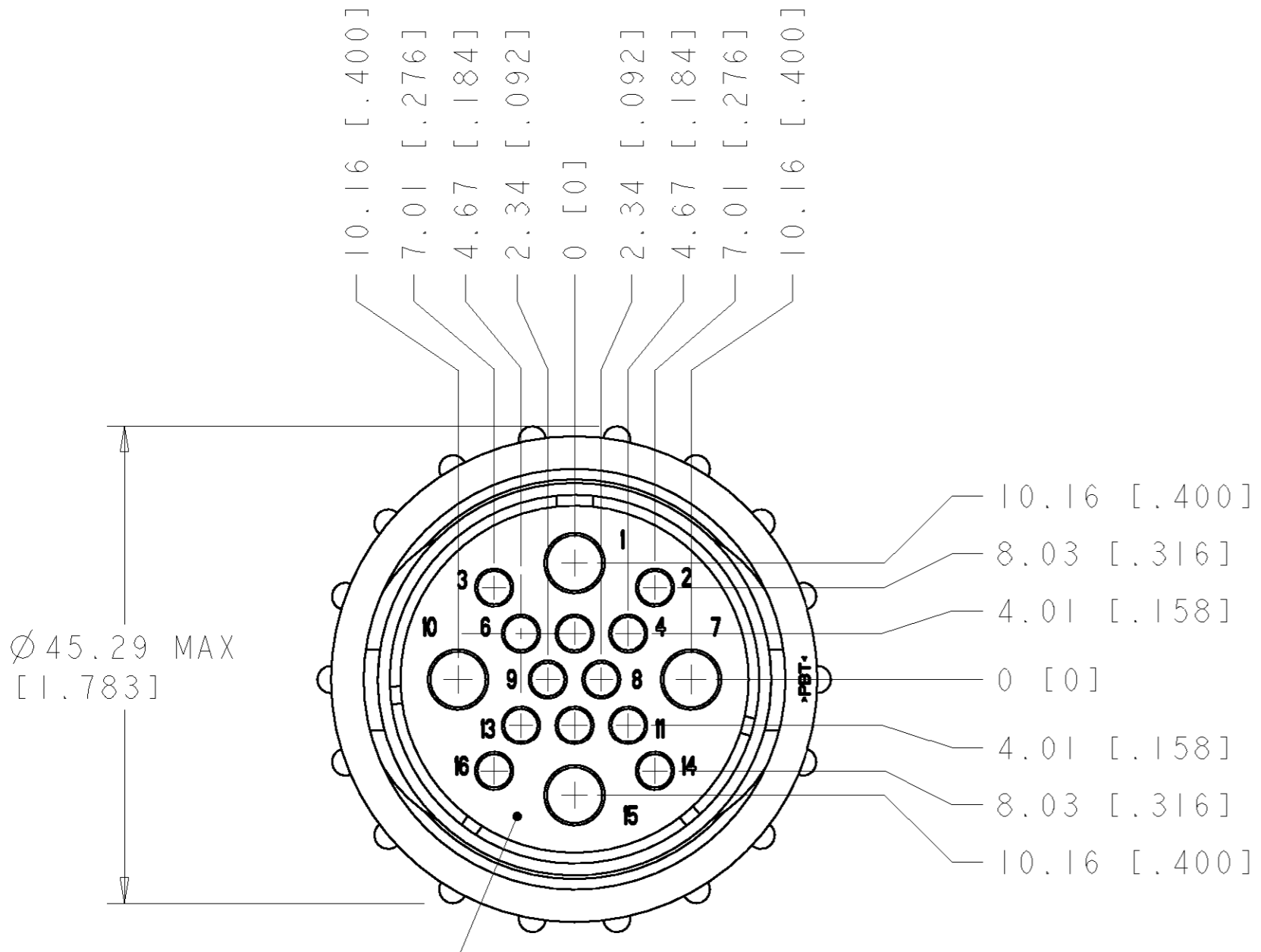
Email & Skype: info@chipsmall.com Web: www.chipsmall.com

Address: A1208, Overseas Decoration Building, #122 Zhenhua RD., Futian, Shenzhen, China



THIS DRAWING IS UNPUBLISHED. RELEASED FOR PUBLICATION
 © COPYRIGHT 19 BY TYCO ELECTRONICS CORPORATION. ALL RIGHTS RESERVED.

LOC	DIST	REVISIONS					
FT	0	P	LTR	DESCRIPTION	DATE	DWN	APVD
		O		RLSE NPR 5728, WAS 97-7970-2	30AUG1999	SW	KD
		A		REVISED EC 0G3B-0312-00	27JUN2000	SW	KD
		B		REVISED EC 0G3B-0393-02	23JUL2002	JS	SH



△ HOUSING & PRESSURE PLATE: NYLON, BLACK.
 WIRE ENTRY SEAL: ELASTOMER, RED-IRON OXIDE.
 COUPLING RING: POLYESTER, BLACK.
 2. CONNECTOR WILL ACCEPT (12) MULTIMATE SOCKET AND (4) POWER SOCKET CONTACTS.

POWER	796203-2
STD	796203-1
WIRE ENTRY SEAL	PART NUMBER

THIS DRAWING IS A CONTROLLED DOCUMENT FOR TYCO ELECTRONICS CORPORATION IT IS SUBJECT TO CHANGE AND THE CONTROLLING ENGINEERING ORGANIZATION SHOULD BE CONTACTED FOR THE LATEST REVISION.		DWN S. WELDON 30AUG1999	AMP Incorporated Harrisburg, PA 17105-3608
DIMENSIONS: mm [INCHES]		CHK K. DOWHOWER 30AUG1999	
TOLERANCES UNLESS OTHERWISE SPECIFIED: 0 PLC ± 1 PLC ± 2 PLC ±0.02 3 PLC ± 4 PLC ± ANGLES ±		APVD K. DOWHOWER 30AUG1999	
MATERIAL △		FINISH -	
PRODUCT SPEC 108-1579		NAME PLUG ASSEMBLY, SERIES 6, STANDARD SEX, SIZE 23-16, CIRCULAR PLASTIC CONNECTOR	RESTRICTED TO
APPLICATION SPEC -		SIZE A2	
WEIGHT -		CAGE CODE 00779	DRAWING NO 796203
CUSTOMER DRAWING		SCALE 2:1	SHEET 1 OF 1
		REV B	