



Chipsmall Limited consists of a professional team with an average of over 10 year of expertise in the distribution of electronic components. Based in Hongkong, we have already established firm and mutual-benefit business relationships with customers from,Europe,America and south Asia,supplying obsolete and hard-to-find components to meet their specific needs.

With the principle of “Quality Parts,Customers Priority,Honest Operation,and Considerate Service”,our business mainly focus on the distribution of electronic components. Line cards we deal with include Microchip,ALPS,ROHM,Xilinx,Pulse,ON,Everlight and Freescale. Main products comprise IC,Modules,Potentiometer,IC Socket,Relay,Connector.Our parts cover such applications as commercial,industrial, and automotives areas.

We are looking forward to setting up business relationship with you and hope to provide you with the best service and solution. Let us make a better world for our industry!



## Contact us

Tel: +86-755-8981 8866 Fax: +86-755-8427 6832

Email & Skype: info@chipsmall.com Web: www.chipsmall.com

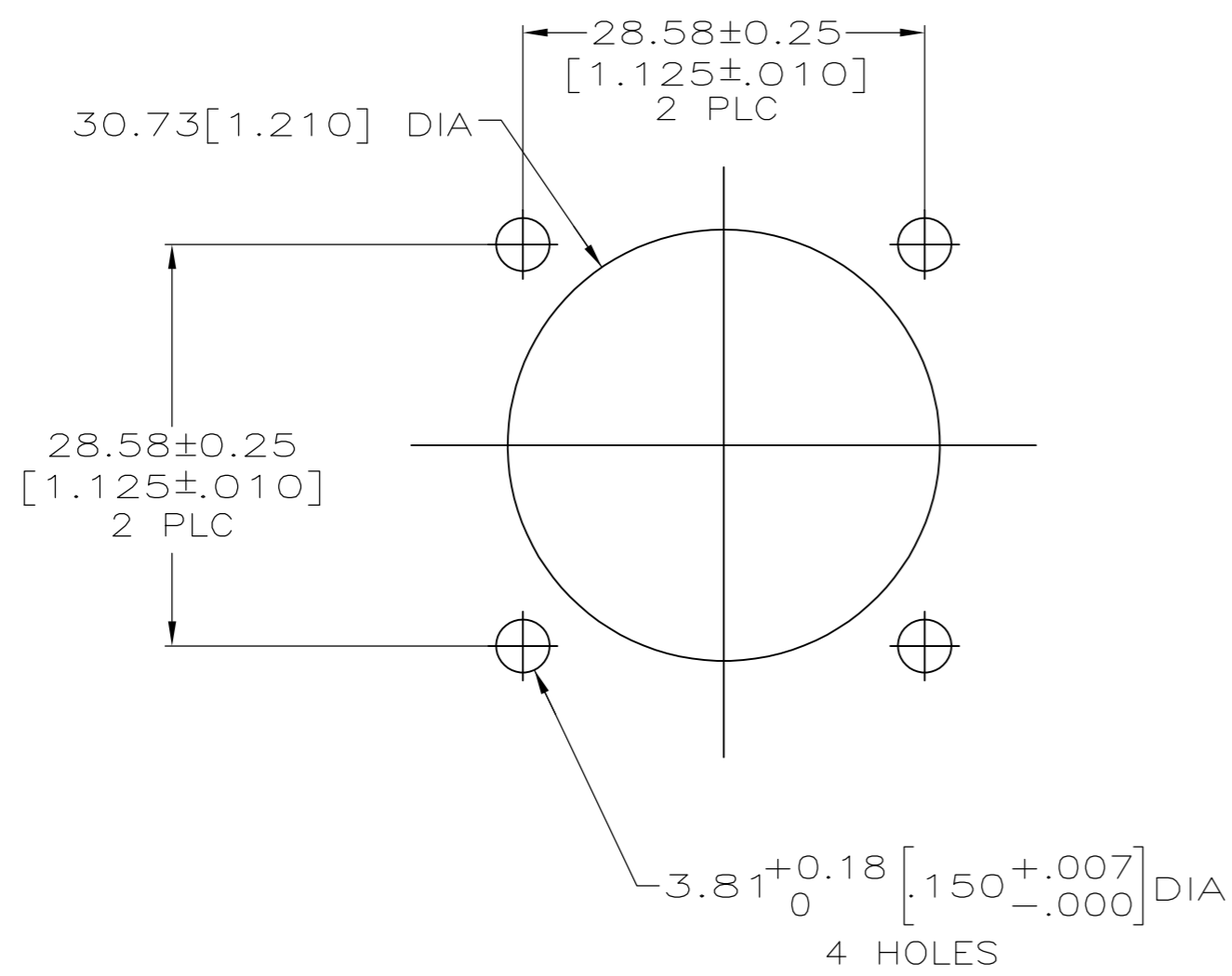
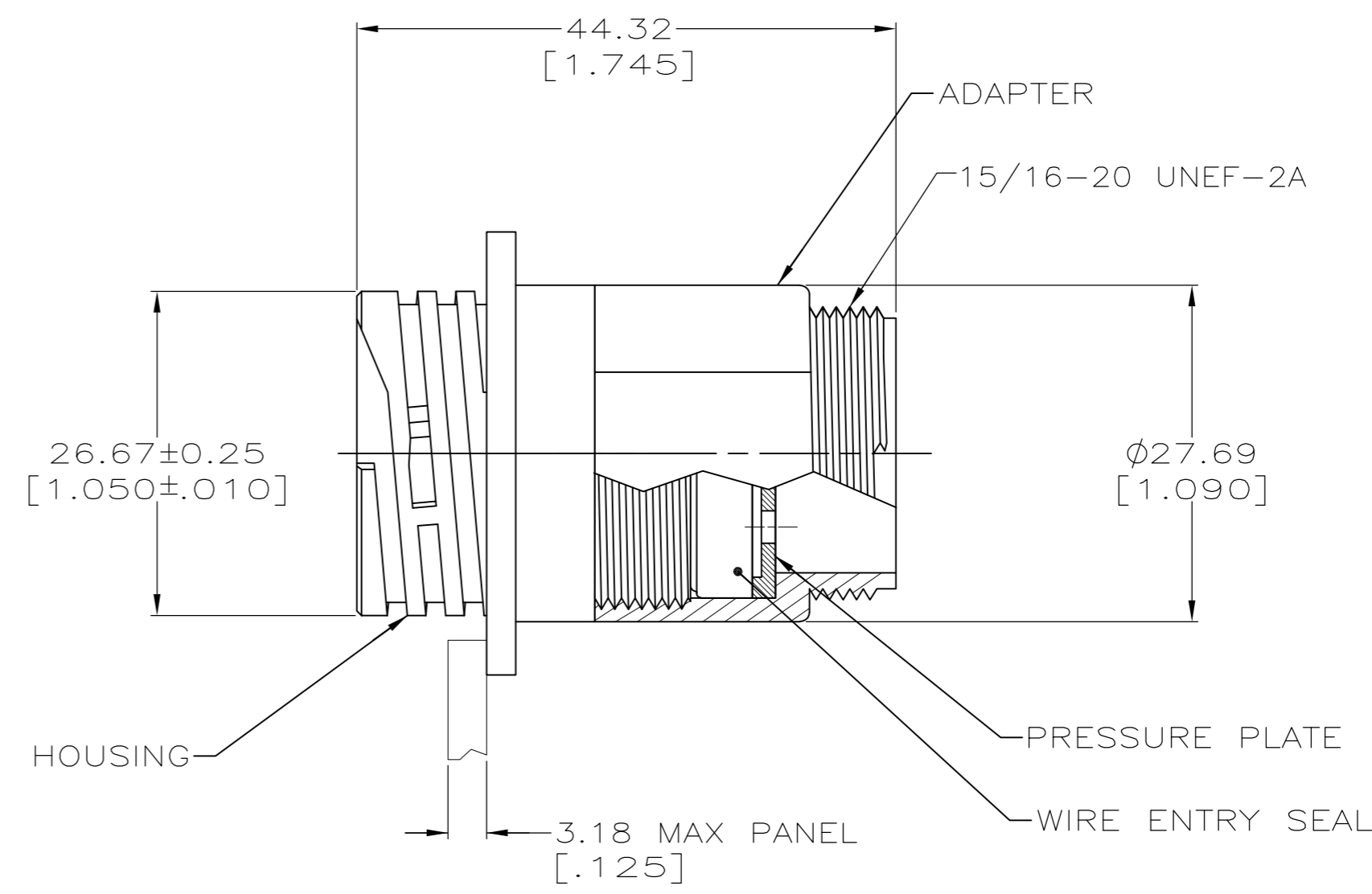
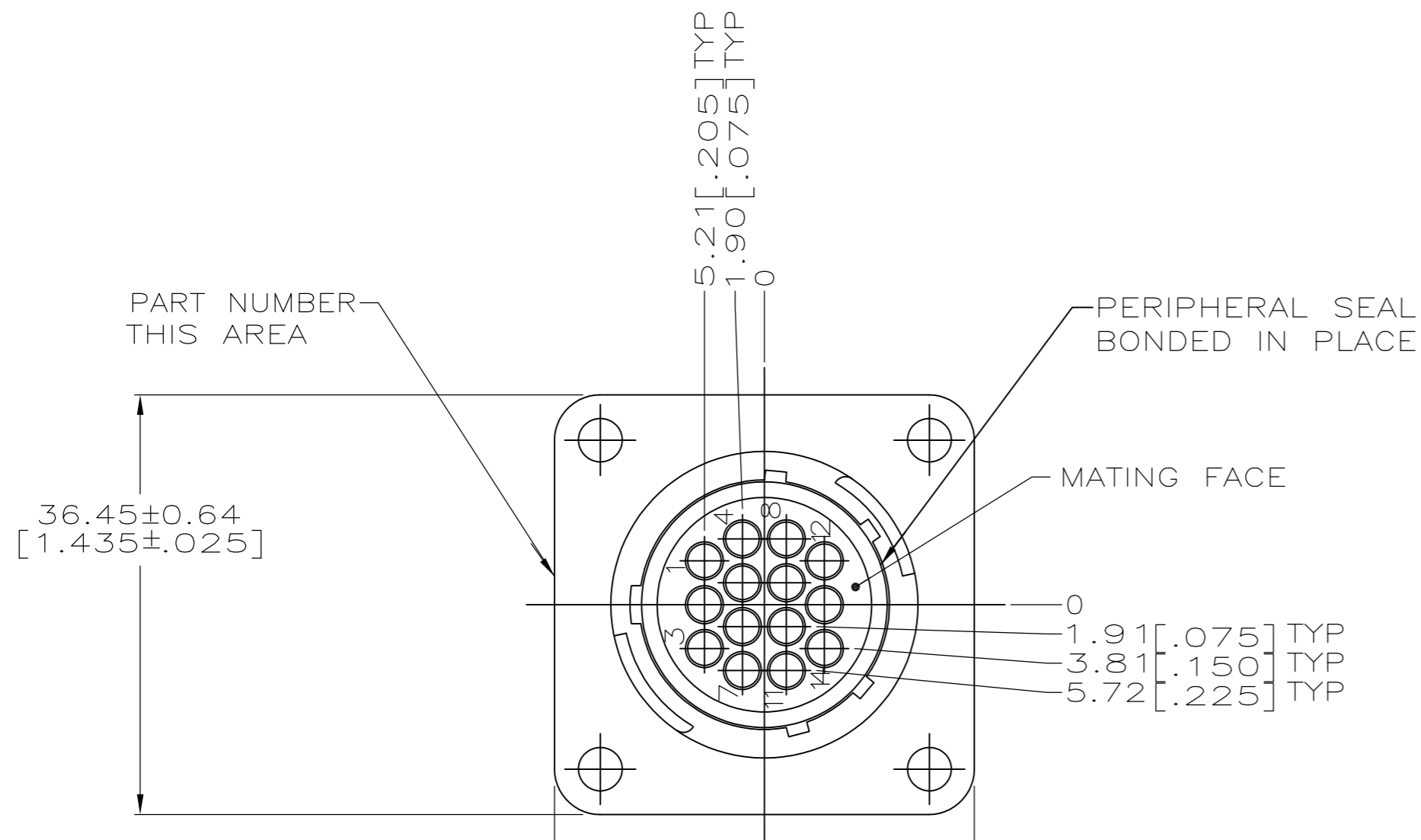
Address: A1208, Overseas Decoration Building, #122 Zhenhua RD., Futian, Shenzhen, China



THIS DRAWING IS UNPUBLISHED. RELEASED FOR PUBLICATION  
 © COPYRIGHT - By - ALL RIGHTS RESERVED.

LOC		DIST		REVISIONS			
P	LTR	DESCRIPTION	DATE	DWN	APVD		
FT	0	B1	REVISED PER ECO-11-005027	11MAR11	RK	HMR	

- 1. HOUSING, ADAPTER AND PRESSURE PLATE: NYLON, BLACK.  
 WIRE ENTRY SEAL: ELASTOMER, RED-IRON OXIDE.  
 PERIPHERAL SEAL: ELASTOMER, GREY.
- 2. CONNECTOR WILL ACCEPT (14) MULTIMATE SOCKET CONTACTS.



RECOMMENDED PANEL CUTOUT

796272-1  
 PART NUMBER

THIS DRAWING IS A CONTROLLED DOCUMENT.		DWN L. McEACHIN 27-JAN-2000			NAME	
DIMENSIONS: mm [INCHES]		CHK K. DOWHOWER 27-JAN-2000			ASSEMBLY, RECEPTACLE, REVERSE SEX 17-14, SQUARE FLANGE, SEALED	
TOLERANCES UNLESS OTHERWISE SPECIFIED:		APVD K. DOWHOWER 27-JAN-2000	PRODUCT SPEC		SIZE	
0 PLC ± -		APPLICATION SPEC	CAGE CODE		DRAWING NO	
1 PLC ± -		WEIGHT	DRAWING NO		RESTRICTED TO	
2 PLC ± -		CUSTOMER DRAWING		SCALE	SHEET	
3 PLC ± -		SCALE 2:1		1 OF 1	REV	
4 PLC ± -		REV B1				
ANGLES ± -						
FINISH						

796272