



Chipsmall Limited consists of a professional team with an average of over 10 year of expertise in the distribution of electronic components. Based in Hongkong, we have already established firm and mutual-benefit business relationships with customers from,Europe,America and south Asia,supplying obsolete and hard-to-find components to meet their specific needs.

With the principle of “Quality Parts,Customers Priority,Honest Operation,and Considerate Service”,our business mainly focus on the distribution of electronic components. Line cards we deal with include Microchip,ALPS,ROHM,Xilinx,Pulse,ON,Everlight and Freescale. Main products comprise IC,Modules,Potentiometer,IC Socket,Relay,Connector.Our parts cover such applications as commercial,industrial, and automotives areas.

We are looking forward to setting up business relationship with you and hope to provide you with the best service and solution. Let us make a better world for our industry!



## Contact us

Tel: +86-755-8981 8866 Fax: +86-755-8427 6832

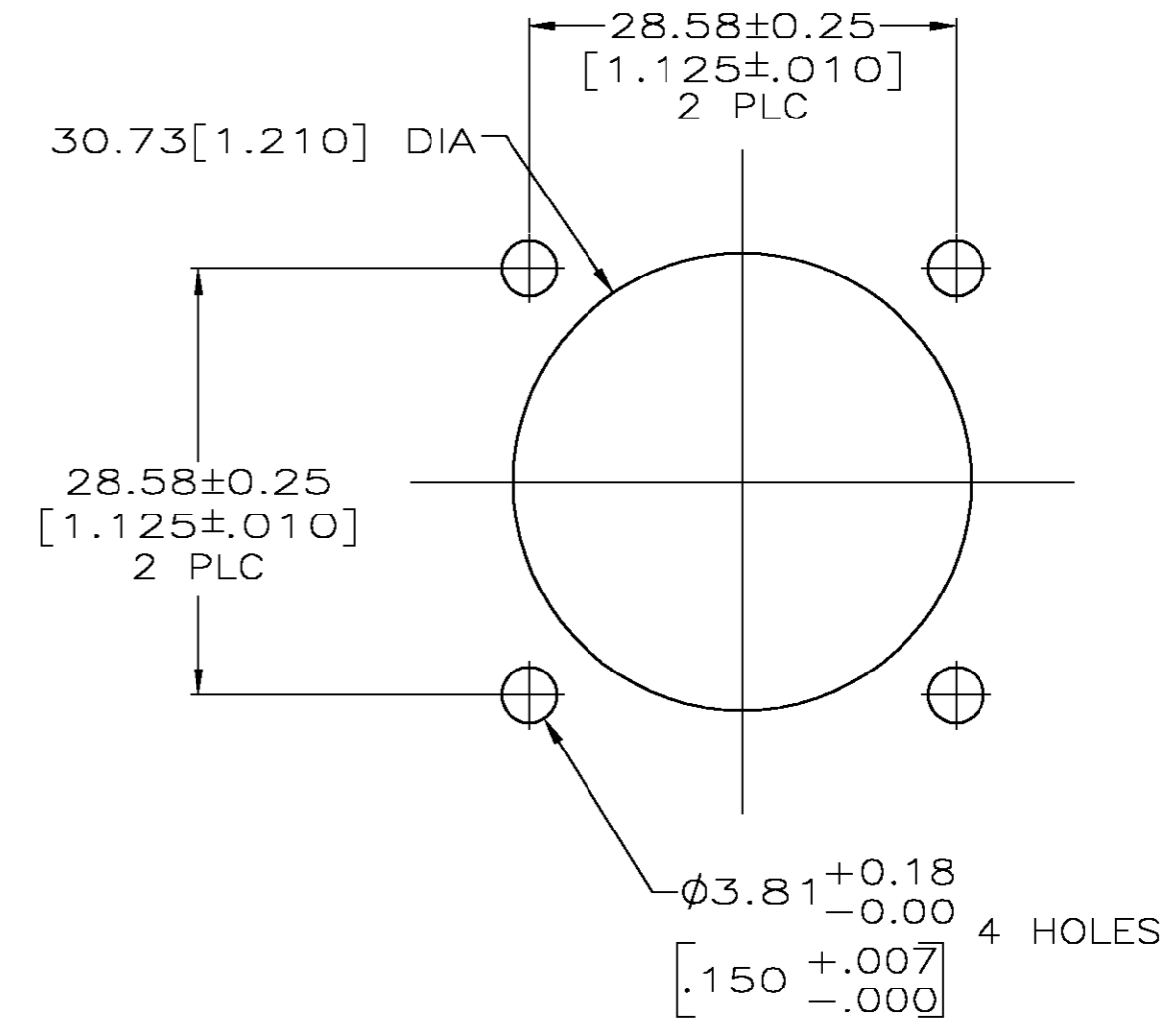
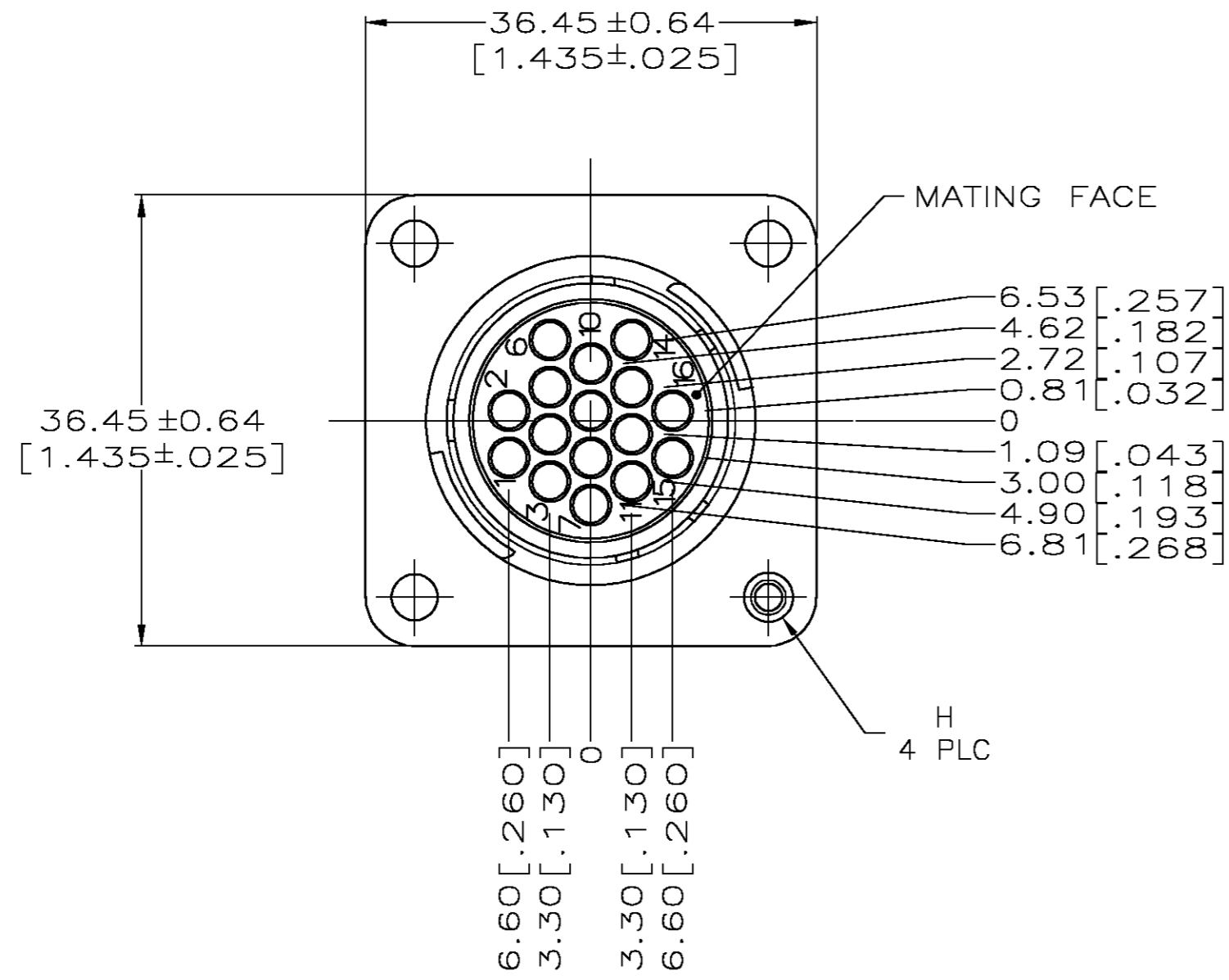
Email & Skype: info@chipsmall.com Web: www.chipsmall.com

Address: A1208, Overseas Decoration Building, #122 Zhenhua RD., Futian, Shenzhen, China

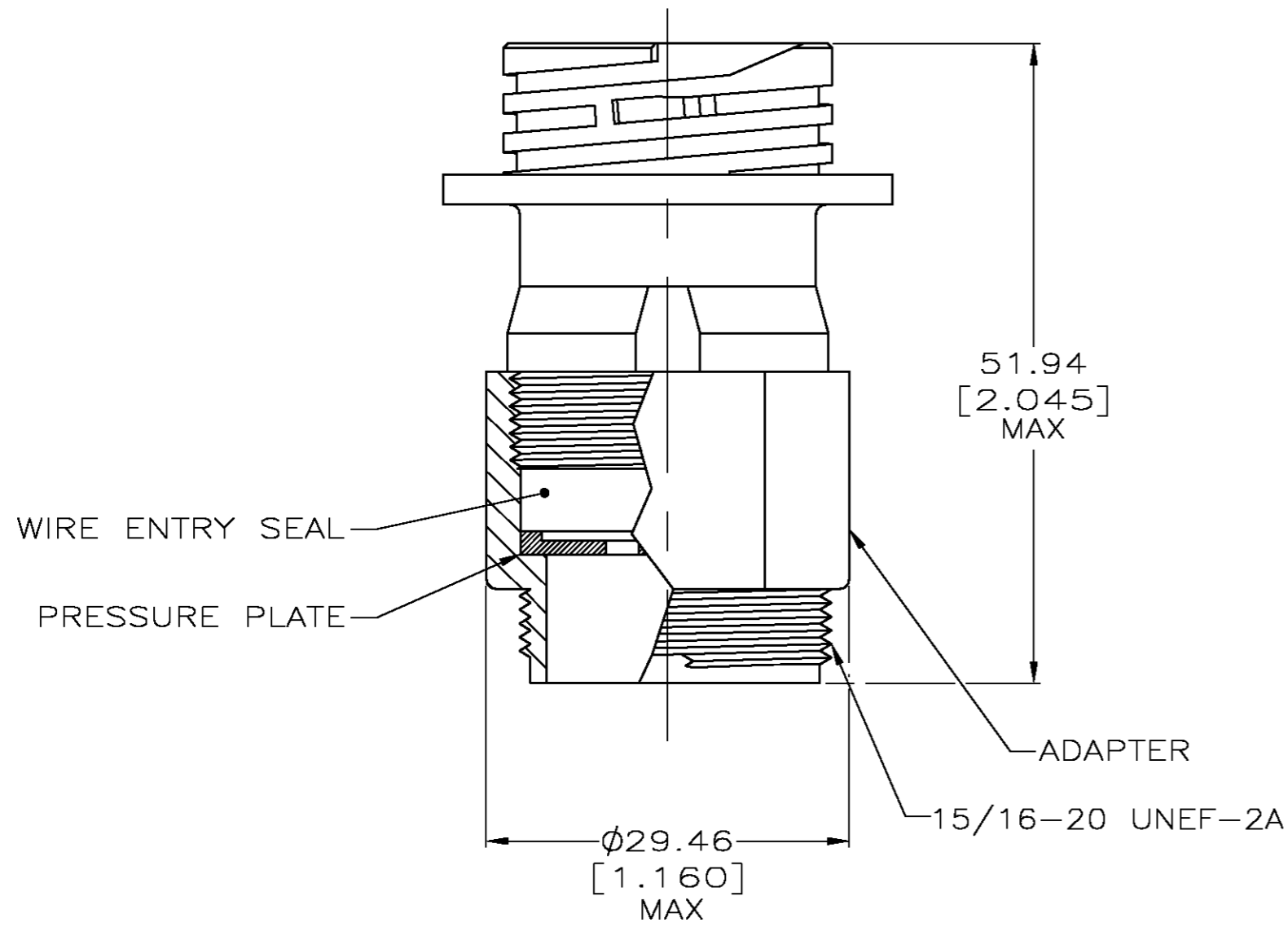


THIS DRAWING IS UNPUBLISHED. RELEASED FOR PUBLICATION  
 © COPYRIGHT BY TYCO ELECTRONICS CORPORATION. ALL RIGHTS RESERVED.

LOC	DIST	REVISIONS					
FT	0	P	LTR	DESCRIPTION	DATE	DWN	APVD
		C		REVISED PER 0G3B-0092-05	1/27/05	SS	HW



RECOMMENDED PANEL CUTOUT



- 1. HOUSING, ADAPTER AND PRESSURE PLATE: NYLON, BLACK.  
 WIRE ENTRY SEAL: ELASTOMER, SEE TABLE.  
 PERIPHERAL SEAL: ELASTOMER, GREY.
- 2. CONNECTOR WILL ACCEPT (16) MULTIMATE PIN CONTACTS.

W/ 4-40 THREADED INSERT	RED-IRON OXIDE	.065 - .120	STANDARD	796275-3
3.18 ± 0.07 [.150 ± .003]	YELLOW	.040 - .080	SMALL	796275-2
3.18 ± 0.07 [.150 ± .003]	RED-IRON OXIDE	.065 - .120	STANDARD	796275-1
H	SEAL COLOR	DIA. RANGE	INSULATION	PART NUMBER

THIS DRAWING IS A CONTROLLED DOCUMENT.		DWN L. McEACHIN 27-JAN-2000	Tyco Electronics Corporation	
DIMENSIONS: mm [INCHES]		CHK K. DOWHOWER 27-JAN-2000	Harrisburg, Pa 17105-3608	
TOLERANCES UNLESS OTHERWISE SPECIFIED:		APVD K. DOWHOWER 27-JAN-2000	NAME	
0 PLC ± -	1 PLC ± -	PRODUCT SPEC	ASSEMBLY, RECEPTACLE, STANDARD SEX, 17-16, STANDARD OR SMALL INSULATION DIA., SEALED	
2 PLC ± -	3 PLC ± -	APPLICATION SPEC	SIZE A2	CAGE CODE 00779
4 PLC ± -	ANGLES ± -	FINISH	DRAWING NO C=796275	RESTRICTED TO
MATERIAL - 1	FINISH -	WEIGHT -	SCALE 2:1	SHEET 1 OF 1
CUSTOMER DRAWING			REV C	