



Chipsmall Limited consists of a professional team with an average of over 10 year of expertise in the distribution of electronic components. Based in Hongkong, we have already established firm and mutual-benefit business relationships with customers from,Europe,America and south Asia,supplying obsolete and hard-to-find components to meet their specific needs.

With the principle of “Quality Parts,Customers Priority,Honest Operation,and Considerate Service”,our business mainly focus on the distribution of electronic components. Line cards we deal with include Microchip,ALPS,ROHM,Xilinx,Pulse,ON,Everlight and Freescale. Main products comprise IC,Modules,Potentiometer,IC Socket,Relay,Connector.Our parts cover such applications as commercial,industrial, and automotives areas.

We are looking forward to setting up business relationship with you and hope to provide you with the best service and solution. Let us make a better world for our industry!



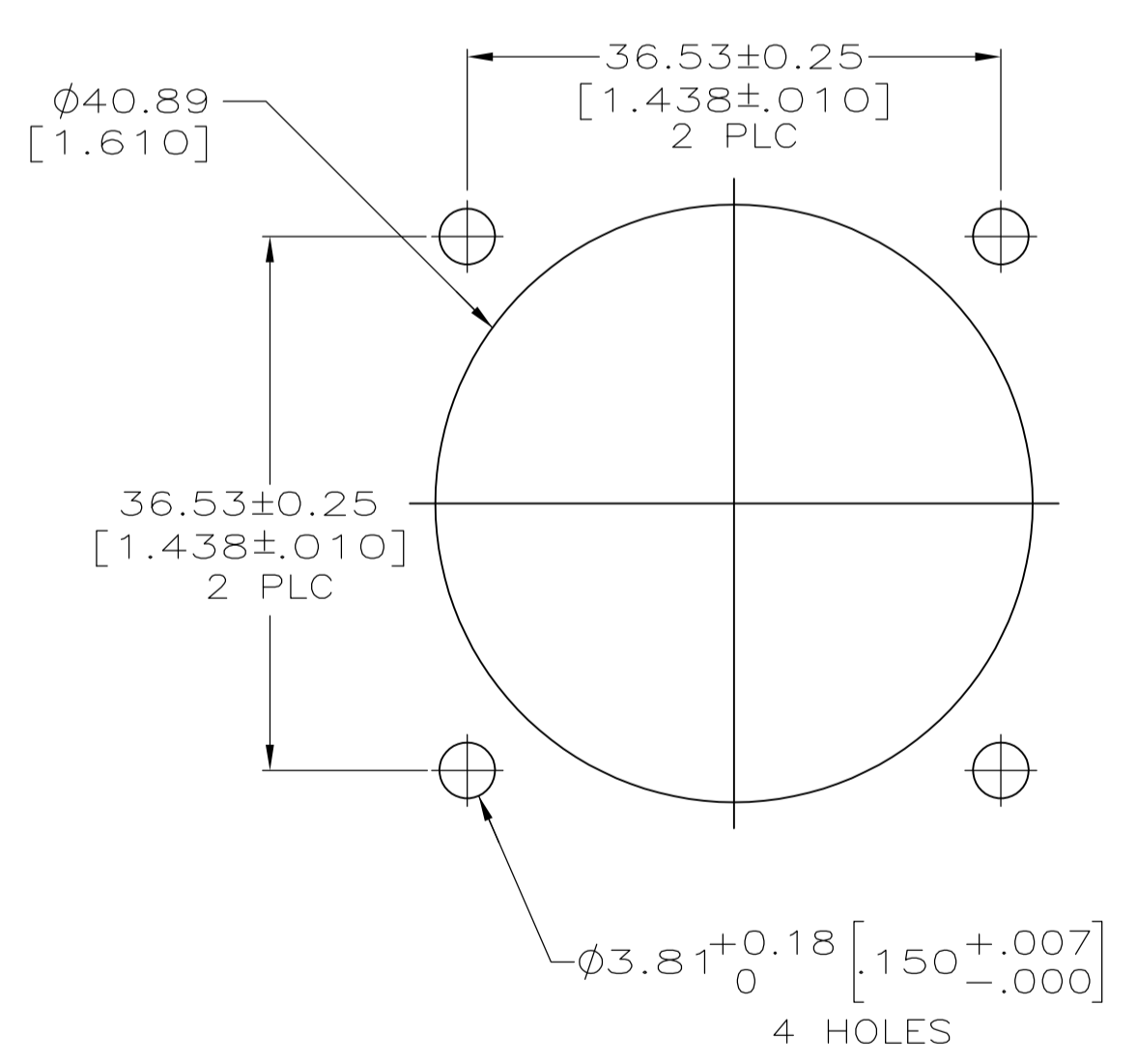
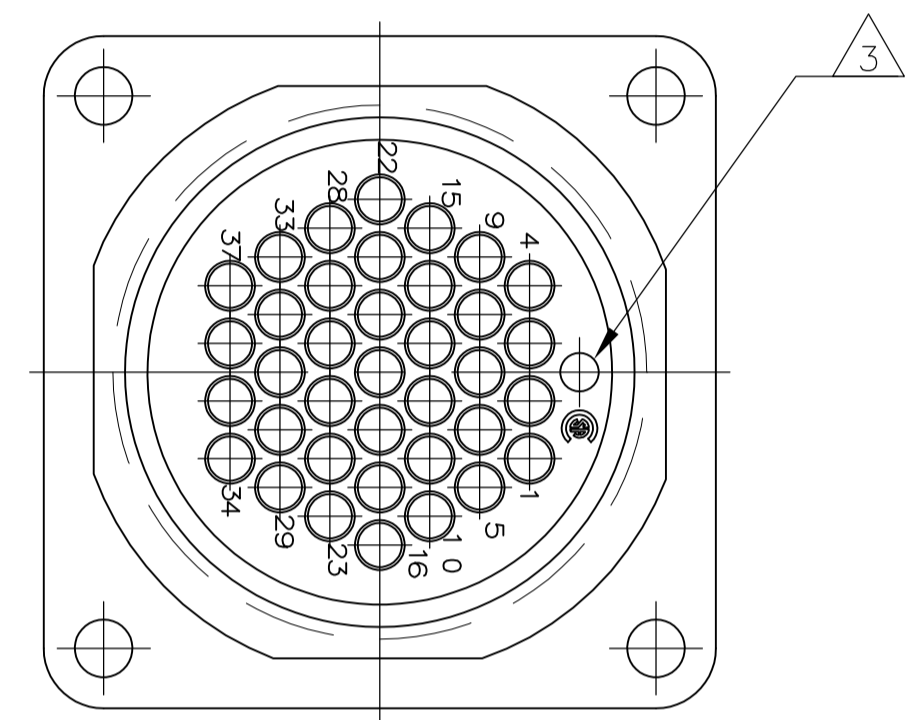
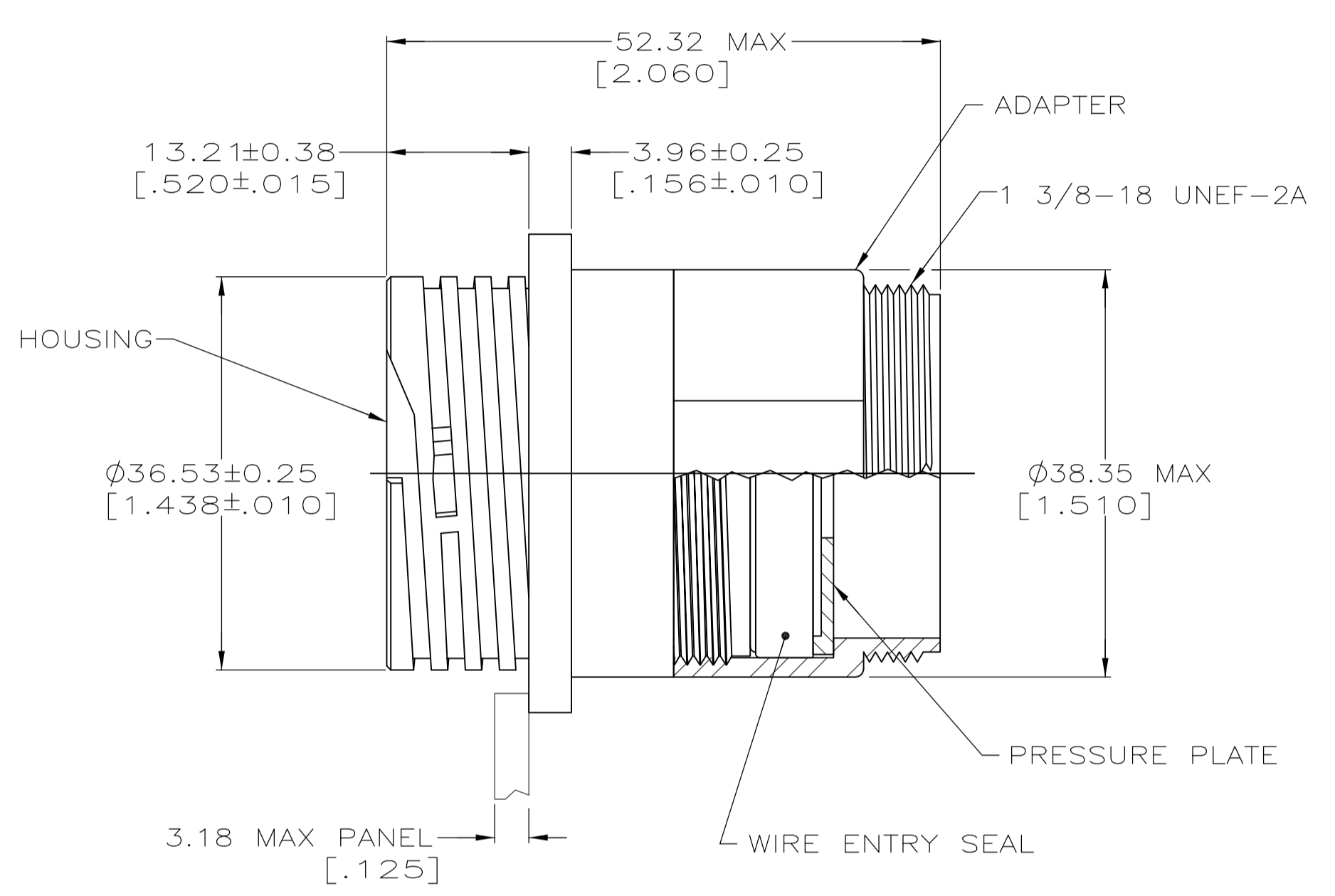
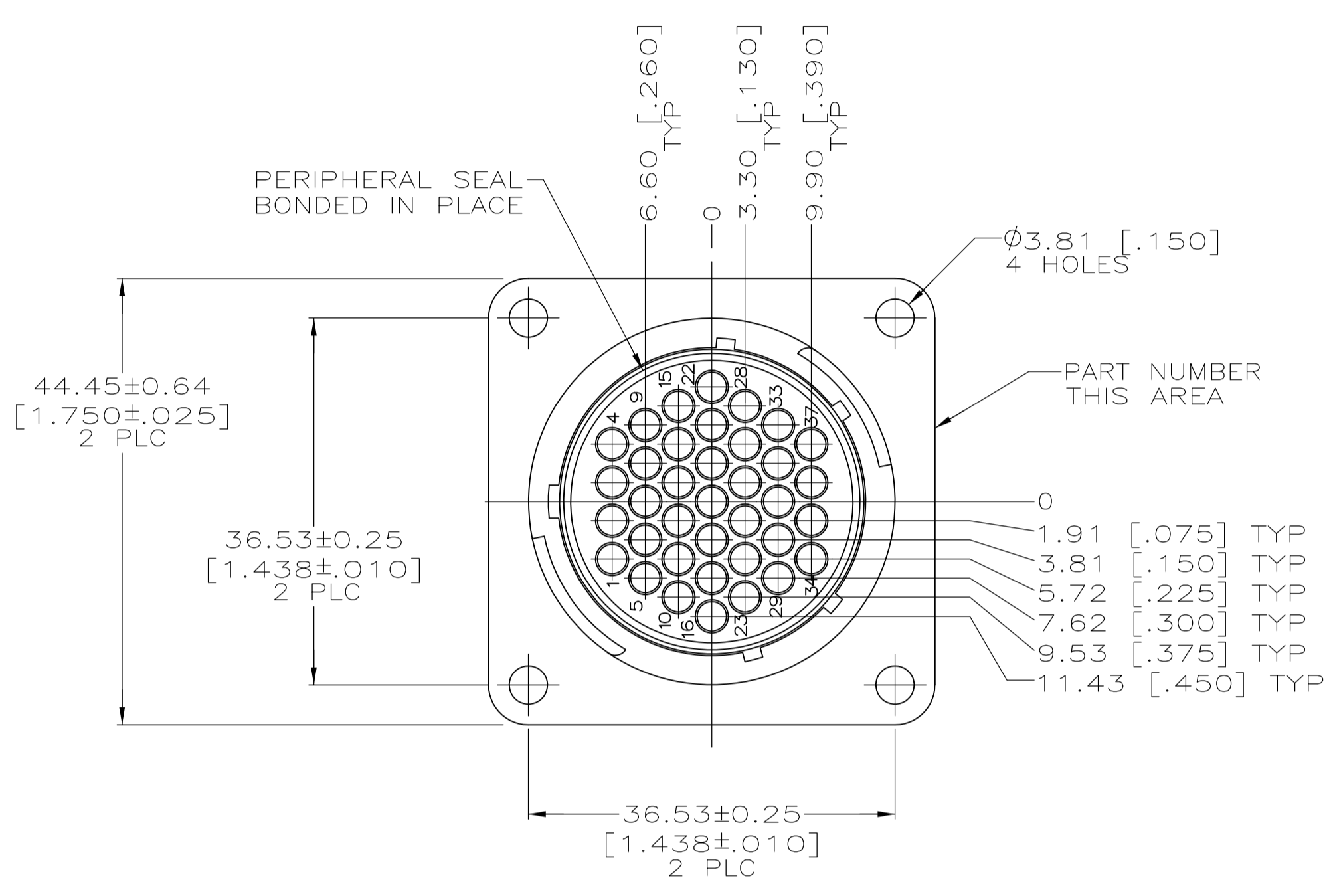
Contact us

Tel: +86-755-8981 8866 Fax: +86-755-8427 6832

Email & Skype: info@chipsmall.com Web: www.chipsmall.com

Address: A1208, Overseas Decoration Building, #122 Zhenhua RD., Futian, Shenzhen, China





RECOMMENDED PANEL CUTOUT

- 1. ADAPTER AND HOUSING: NYLON, BLACK.
WIRE ENTRY SEAL: ELASTOMER, RED-IRON OXIDE.
PERIPHERAL SEAL: ELASTOMER, GREY.
- 2. CONNECTOR WILL ACCEPT (37) MULTIMATE PIN CONTACTS.
- 3. ORIENTATION HOLE USED IN THE MANUFACTURING PROCESS ONLY.
THIS HOLE IS NOT INTENDED FOR WIRE INSERTION.

796286-1
PART NUMBER

THIS DRAWING IS A CONTROLLED DOCUMENT.		DIN C. DORWART 11 NOV 98	TE Connectivity	
DIMENSIONS: INCHES		CHK K. DOWHOWER 15NOV99	NAME	
TOLERANCES UNLESS OTHERWISE SPECIFIED:		APVD K. DOWHOWER 15NOV99	PRODUCT SPEC	
0 PLC	± .005	108-1579		
1 PLC	± .005	APPLICATION SPEC		
2 PLC	± 0.13(.005)	SIZE		
3 PLC	± .005	CAGE CODE		
4 PLC	± .005	DRAWING NO		
ANGLES	± .005	RESTRICTED TO		
MATERIAL	FINISH	WEIGHT	A1 00779	796286
CUSTOMER DRAWING		SCALE	2:1	SHEET 1 OF 1 REV B