



Chipsmall Limited consists of a professional team with an average of over 10 year of expertise in the distribution of electronic components. Based in Hongkong, we have already established firm and mutual-benefit business relationships with customers from,Europe,America and south Asia,supplying obsolete and hard-to-find components to meet their specific needs.

With the principle of “Quality Parts,Customers Priority,Honest Operation,and Considerate Service”,our business mainly focus on the distribution of electronic components. Line cards we deal with include Microchip,ALPS,ROHM,Xilinx,Pulse,ON,Everlight and Freescale. Main products comprise IC,Modules,Potentiometer,IC Socket,Relay,Connector.Our parts cover such applications as commercial,industrial, and automotives areas.

We are looking forward to setting up business relationship with you and hope to provide you with the best service and solution. Let us make a better world for our industry!



Contact us

Tel: +86-755-8981 8866 Fax: +86-755-8427 6832

Email & Skype: info@chipsmall.com Web: www.chipsmall.com

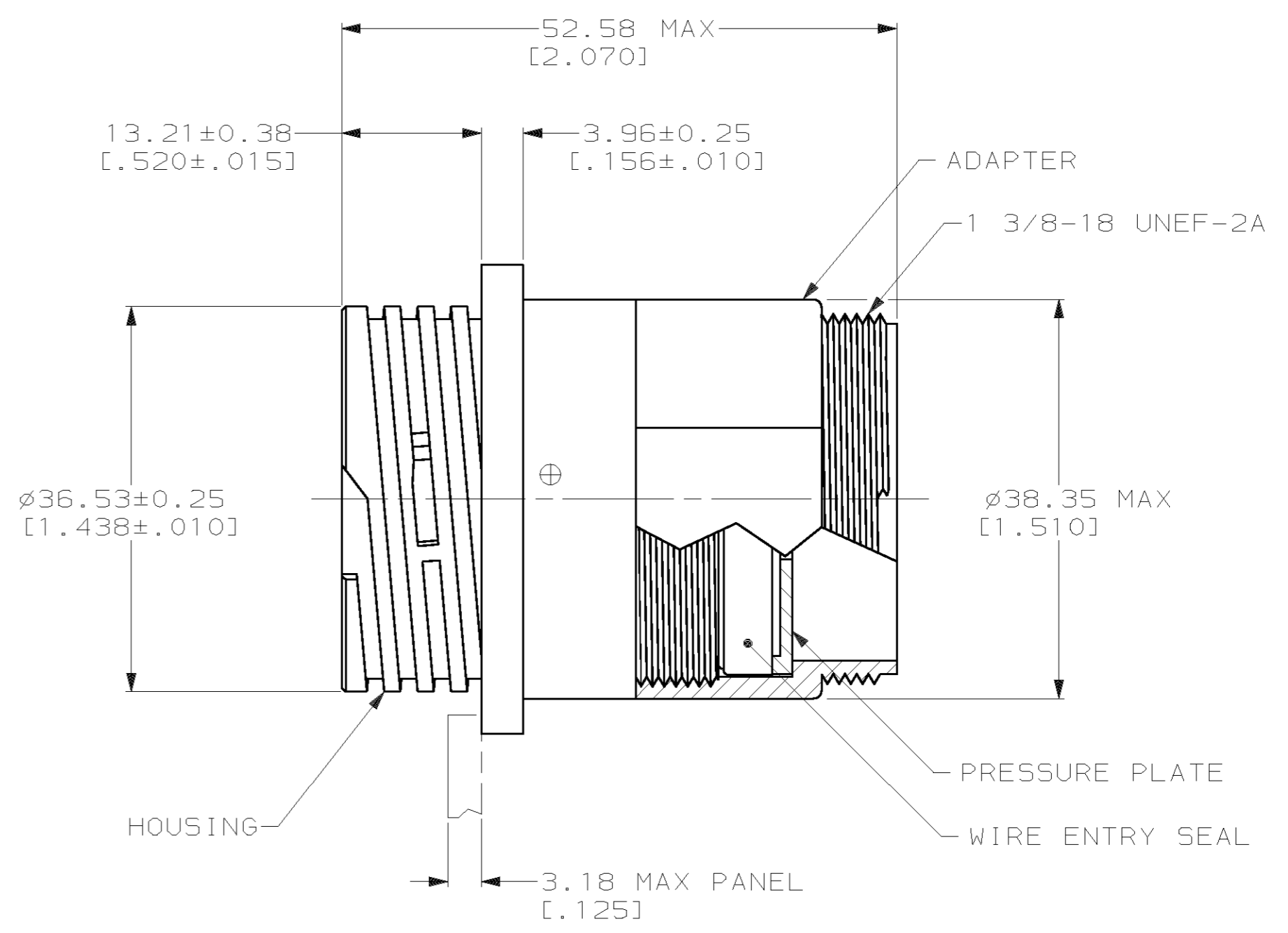
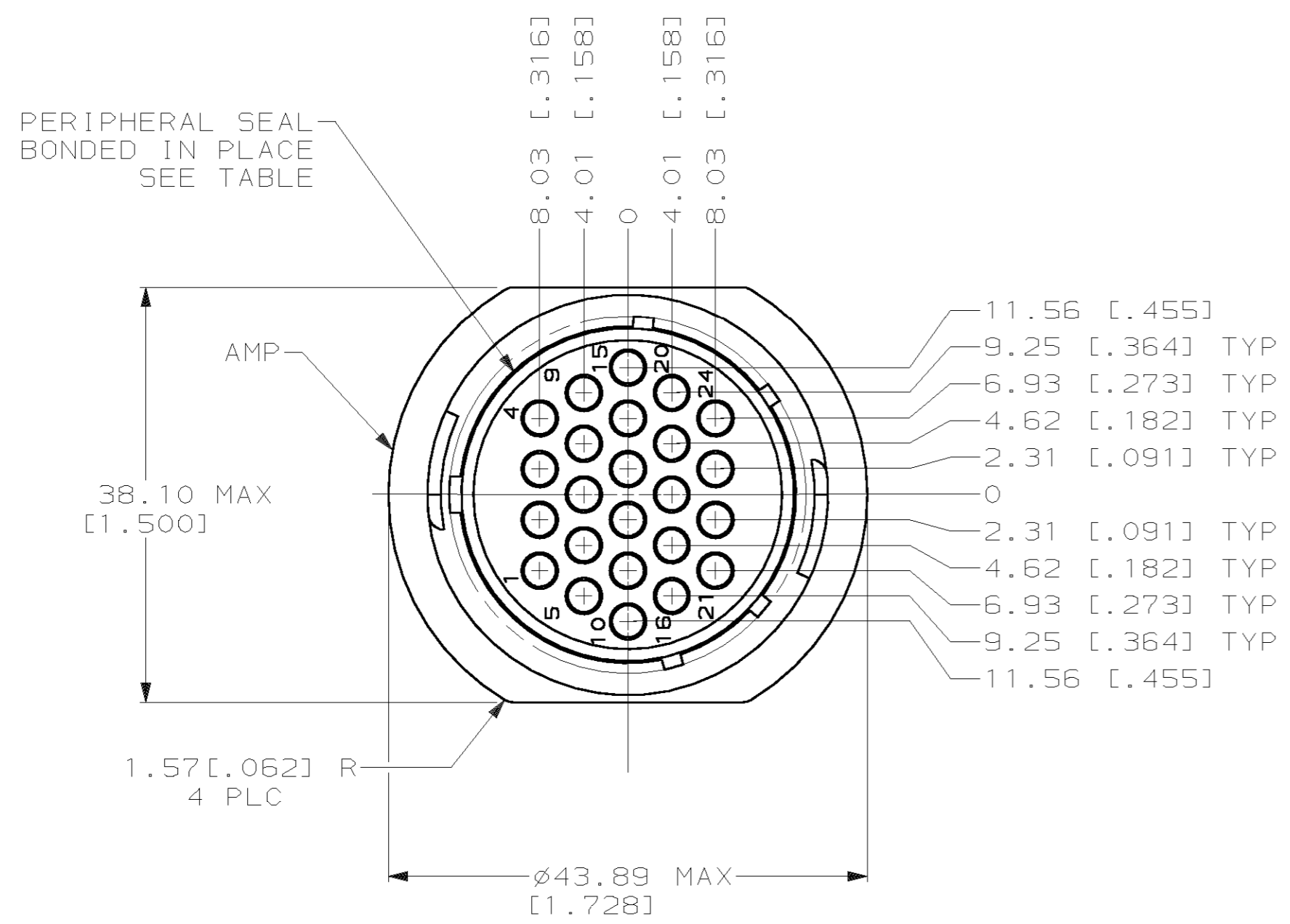
Address: A1208, Overseas Decoration Building, #122 Zhenhua RD., Futian, Shenzhen, China



THIS DRAWING IS UNPUBLISHED. RELEASED FOR PUBLICATION .19
 (C) COPYRIGHT 19 BY AMP INCORPORATED. ALL RIGHTS RESERVED.

| LOC | | DIST | | REVISIONS | | | |
|-----|-----|-------------|-----------------------------|-----------|------|----|--|
| P | LTR | DESCRIPTION | DATE | DWN | APVD | | |
| FT | 0 | A | REVISE PER ECN 063B-0348-00 | 14AUG00 | SU | H5 | |

- 1. HOUSING, ADAPTER AND PRESSURE PLATE: NYLON, BLACK.
 WIRE ENTRY SEAL: ELASTOMER, RED-IRON OXIDE.
 PERIPHERAL SEAL: ELASTOMER, GREY.
- 2. CONNECTOR WILL ACCEPT (24) MULTIMATE PIN CONTACTS.



796291-1
 PART NUMBER

| | | | | |
|---|--|------------------------------------|--|--------------------|
| THIS DRAWING IS A CONTROLLED DOCUMENT. | | DWN L. McEACHIN 11-JAN-2000 | AMP Incorporated Harrisburg, PA 17105-3608 | |
| DIMENSIONS: mm [INCHES] | | CHK K. DOWHOWER 11-JAN-2000 | NAME ASSEMBLY, RECEPTACLE, 23-24 FREE HANGING, STANDARD SEX, SEALED CPC | |
| TOLERANCES UNLESS OTHERWISE SPECIFIED: 0 PLC ±- 1 PLC ±- 2 PLC ±0.13 [.005] 3 PLC ±- 4 PLC ±- ANGLES ±- FINISH - | | APVD K. DOWHOWER 11-JAN-2000 | PRODUCT SPEC 108-1579 | |
| MATERIAL | | APPLICATION SPEC | SIZE A2 | CAGE CODE 00779 |
| | | WEIGHT | DRAWING NO 796291 | |
| | | CUSTOMER DRAWING | | RESTRICTED TO - |
| | | SCALE 2:1 | SHEET 1 OF 1 | REV A |