



Chipsmall Limited consists of a professional team with an average of over 10 year of expertise in the distribution of electronic components. Based in Hongkong, we have already established firm and mutual-benefit business relationships with customers from,Europe,America and south Asia,supplying obsolete and hard-to-find components to meet their specific needs.

With the principle of “Quality Parts,Customers Priority,Honest Operation,and Considerate Service”,our business mainly focus on the distribution of electronic components. Line cards we deal with include Microchip,ALPS,ROHM,Xilinx,Pulse,ON,Everlight and Freescale. Main products comprise IC,Modules,Potentiometer,IC Socket,Relay,Connector.Our parts cover such applications as commercial,industrial, and automotives areas.

We are looking forward to setting up business relationship with you and hope to provide you with the best service and solution. Let us make a better world for our industry!



Contact us

Tel: +86-755-8981 8866 Fax: +86-755-8427 6832

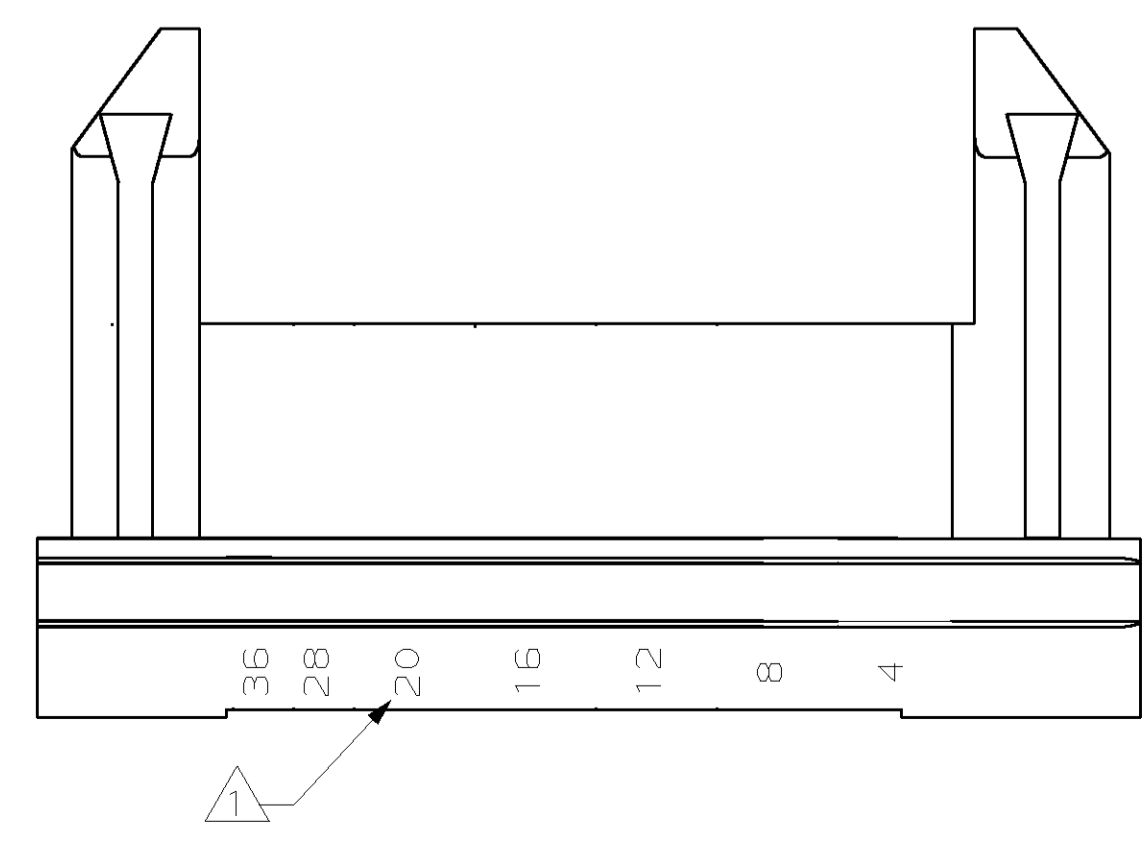
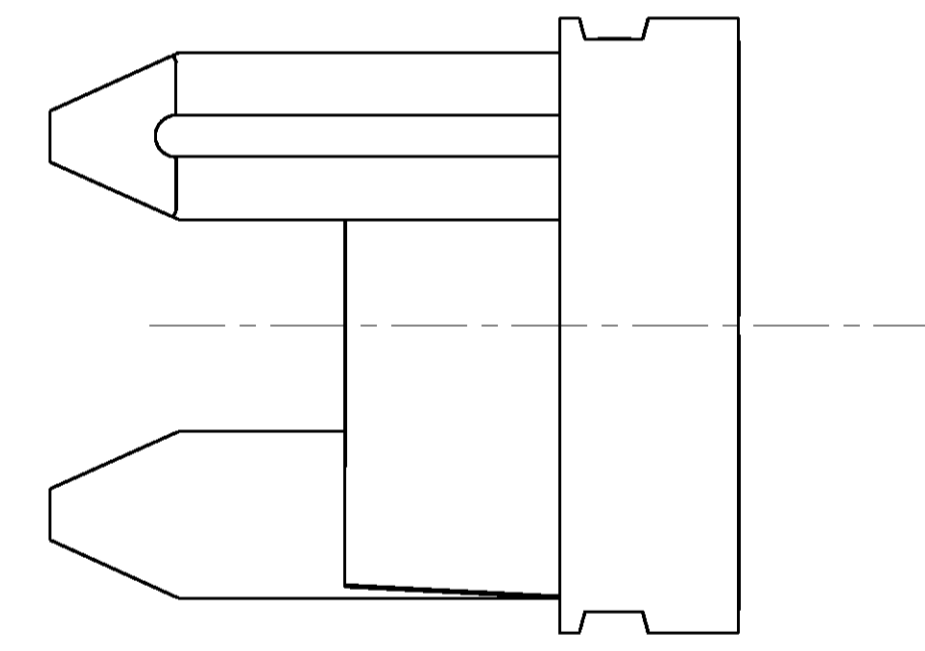
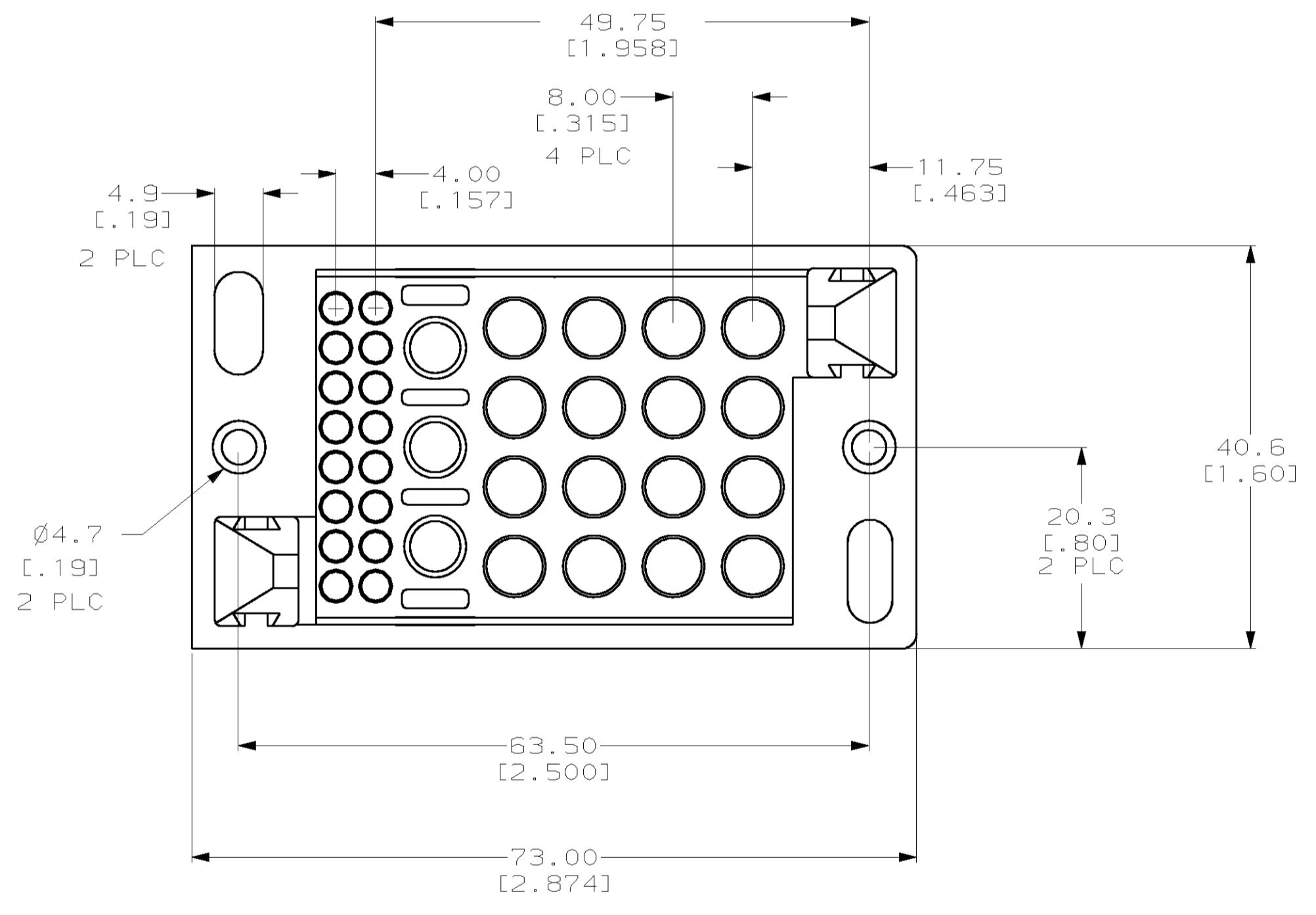
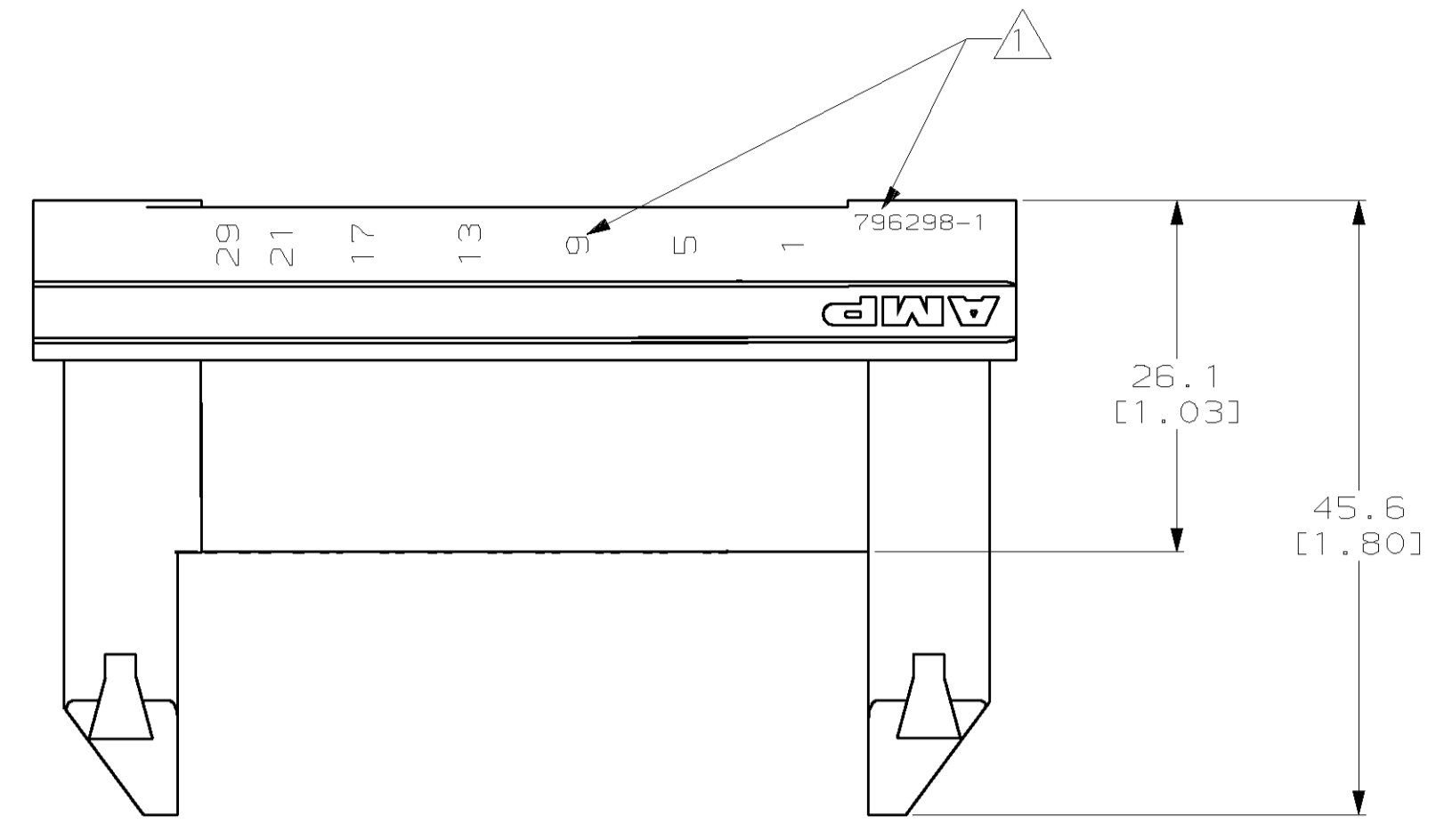
Email & Skype: info@chipsmall.com Web: www.chipsmall.com

Address: A1208, Overseas Decoration Building, #122 Zhenhua RD., Futian, Shenzhen, China



LOC	DIST	REVISIONS			
CH	11	REV	DATE	BY	APPV
		0	RLSD PER NPR 2	24FEB00	LM 65

* AMPPOWER is a trademark



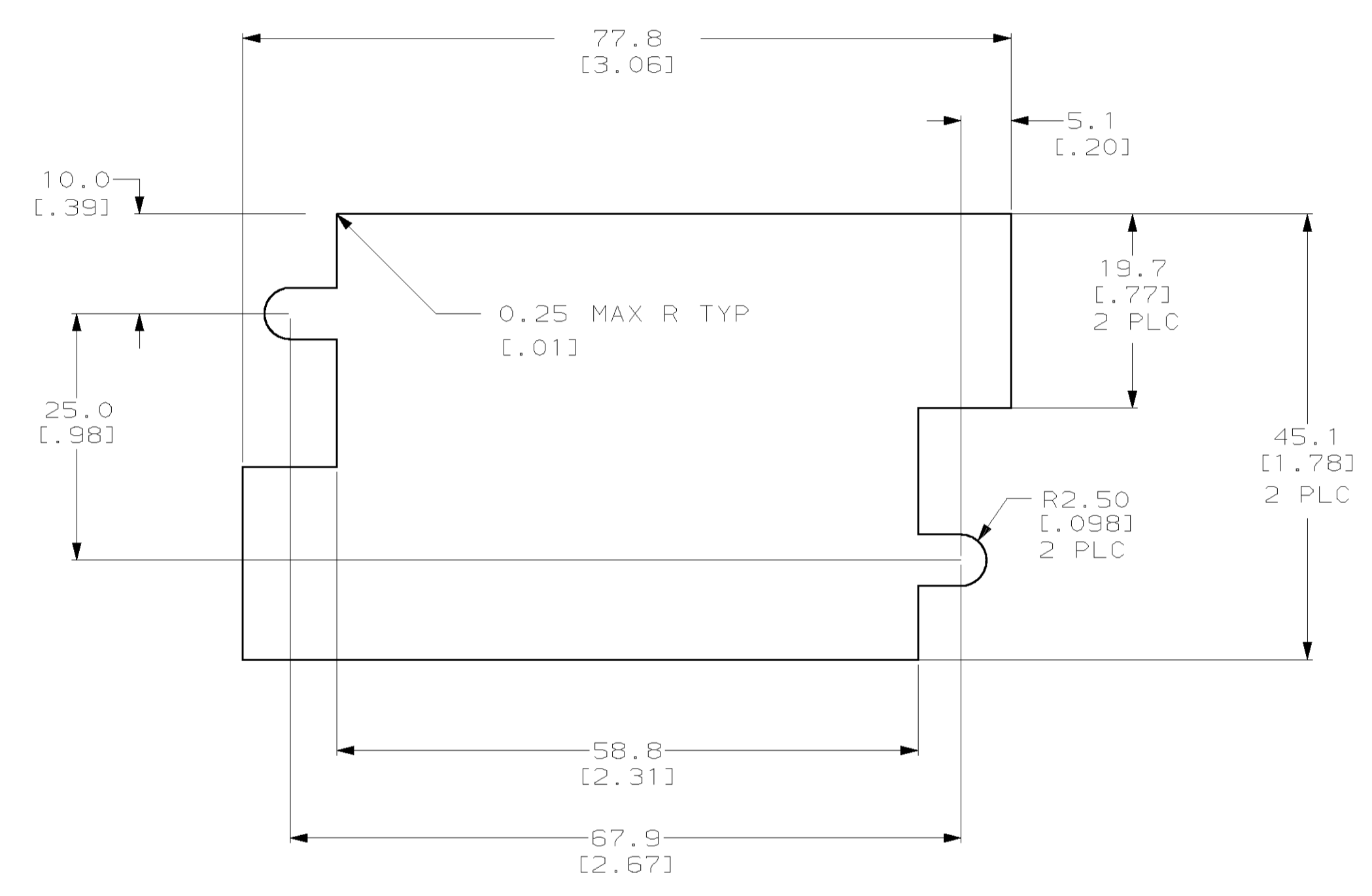
1. MATERIAL: POLYESTER PCT; BLACK.
2. POSITIONS 1-19 ARE FOR 3mm CONTACTS.
3. POSITIONS 20-35 ARE FOR SIZE 16 CONTACTS.
4. ALL DIMENSIONS, EXCEPT PANEL CUTOUTS, ARE REFERENCE ONLY.

796298-1
PART NO.

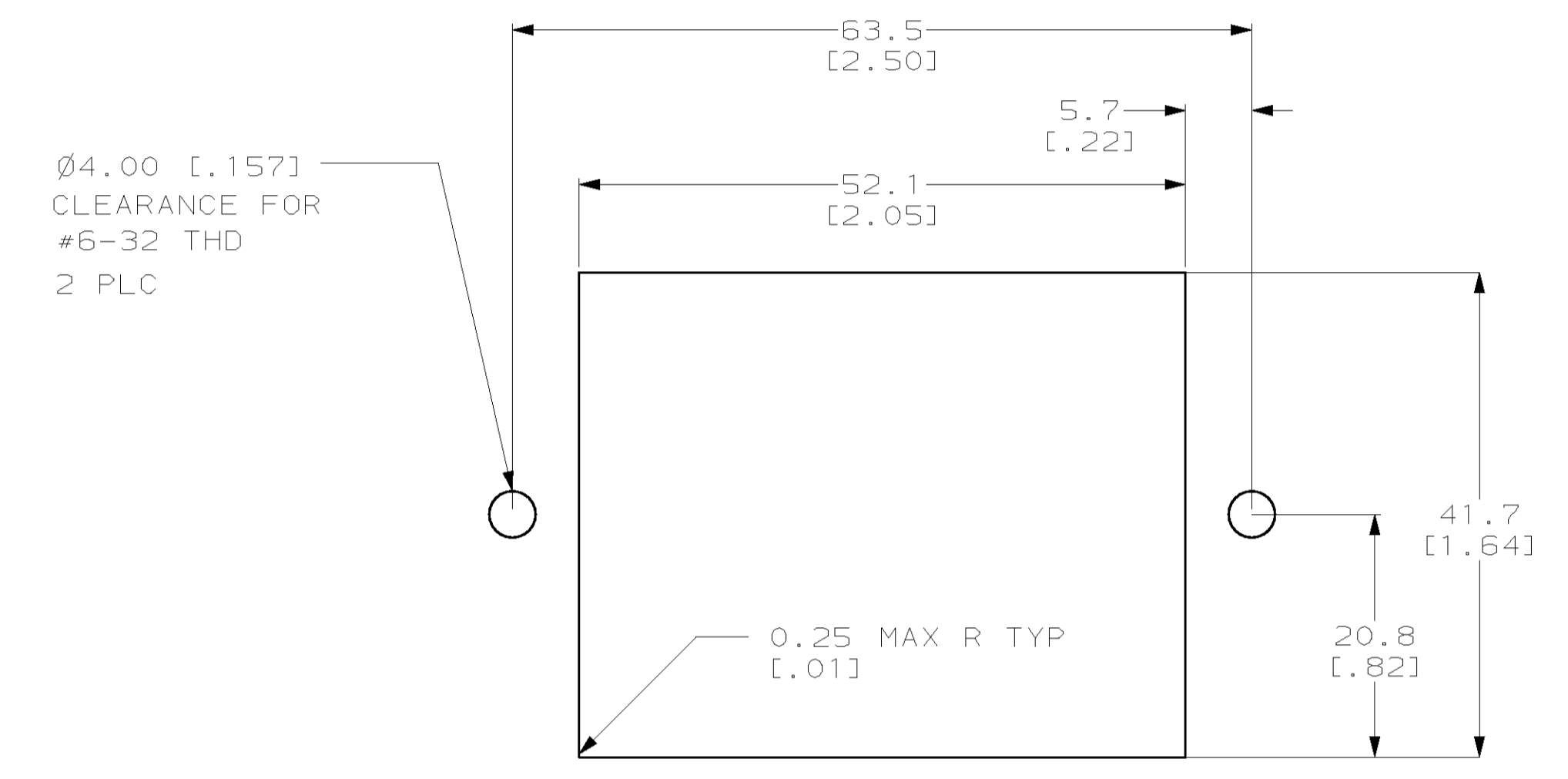
THIS DRAWING IS A CONTROLLED DOCUMENT.		DWN L. McEACHIN 24-FEB-2000	AMP Incorporated Harrisburg, PA 17105-3608
DIMENSIONS: mm (INCHES)		CHK G. STEINHAUER 24-FEB-2000	NAME AMPPOWER® MULTI PIN PLUS HOUSING, PLUG 35 POSITION
TOLERANCES UNLESS OTHERWISE SPECIFIED:		APPV G. STEINHAUER 24-FEB-2000	RESTRICTED TO
0 PLC ±0.10		PRODUCT SPEC	SIZE A1
1 PLC ±0.10		APPLICATION SPEC	CAGE CODE 00779
2 PLC ±0.10		WEIGHT	DRAWING NO. 796298
3 PLC ±0.10			SCALE 2:1
4 PLC ±0.10			SHEET 1 OF 2
MATERIAL		CUSTOMER DRAWING	REV 0

LOC	DIST	REVISIONS				
CH	11	REV	DESCRIPTION	DATE	OWN	APVD
-	-	-	SEE SHEET 1	-	-	-

* AMPPOWER is a trademark



RECOMMENDED FLOAT MOUNT PANEL CUTOUT
EXTERNAL VIEW



RECOMMENDED STATIONARY MOUNT PANEL CUTOUT
EXTERNAL VIEW

THIS DRAWING IS A CONTROLLED DOCUMENT.		DWN L. McEACHIN 24-FEB-2000	AMP Incorporated Harrisburg, PA 17105-3608	
DIMENSIONS: mm (INCHES)		CHK G. STEINHAUER 24-FEB-2000	NAME AMPPOWER [®] MULTI PIN PLUS HOUSING, PLUG 35 POSITION	
TOLERANCES UNLESS OTHERWISE SPECIFIED:		APVD G. STEINHAUER 24-FEB-2000	RESTRICTED TO	
0 PLC ±-	1 PLC ±0.25	PRODUCT SPEC	SIZE CAGE CODE DRAWING NO	
2 PLC ±0.12 [.01]	3 PLC ±(.005)	APPLICATION SPEC	A1 00779 796298	
4 PLC ±-	ANGLES ±-	WEIGHT	SCALE 2:1 SHEET 2 OF 2 REV 0	
MATERIAL	FINISH	CUSTOMER DRAWING		