



Chipsmall Limited consists of a professional team with an average of over 10 year of expertise in the distribution of electronic components. Based in Hongkong, we have already established firm and mutual-benefit business relationships with customers from,Europe,America and south Asia,supplying obsolete and hard-to-find components to meet their specific needs.

With the principle of “Quality Parts,Customers Priority,Honest Operation,and Considerate Service”,our business mainly focus on the distribution of electronic components. Line cards we deal with include Microchip,ALPS,ROHM,Xilinx,Pulse,ON,Everlight and Freescale. Main products comprise IC,Modules,Potentiometer,IC Socket,Relay,Connector.Our parts cover such applications as commercial,industrial, and automotives areas.

We are looking forward to setting up business relationship with you and hope to provide you with the best service and solution. Let us make a better world for our industry!



## Contact us

Tel: +86-755-8981 8866 Fax: +86-755-8427 6832

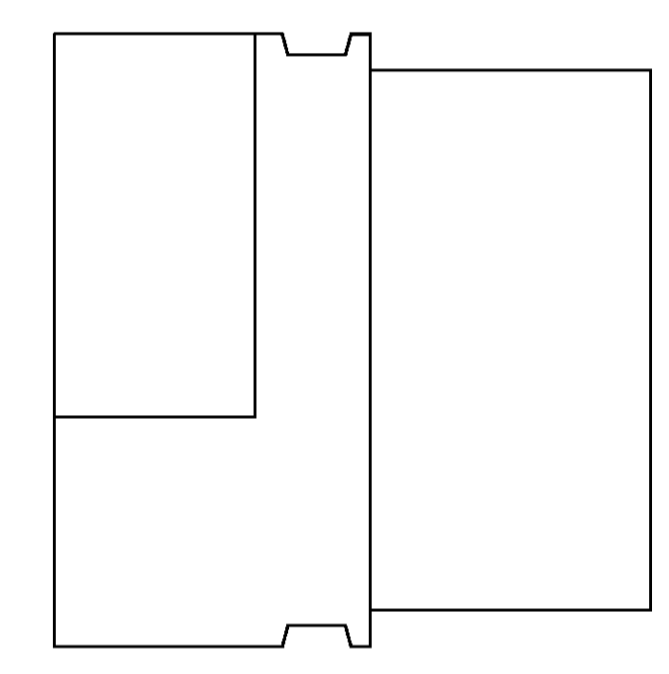
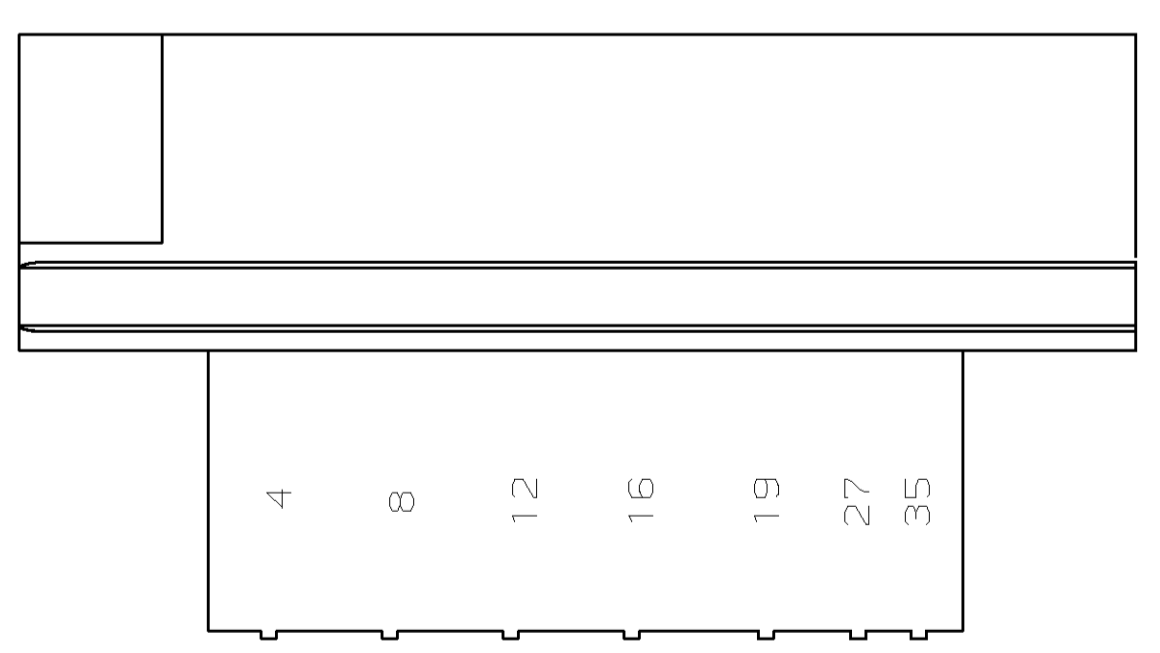
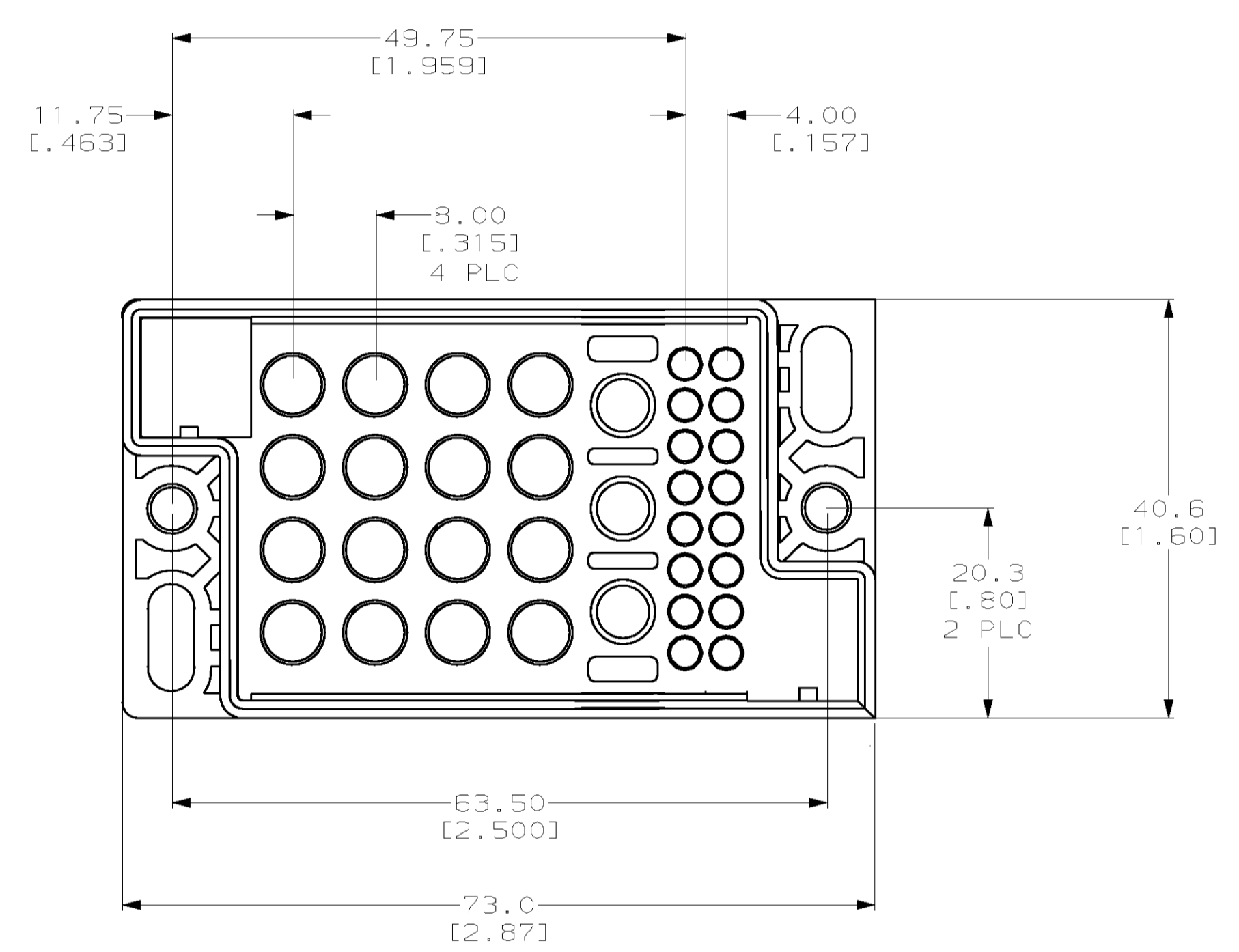
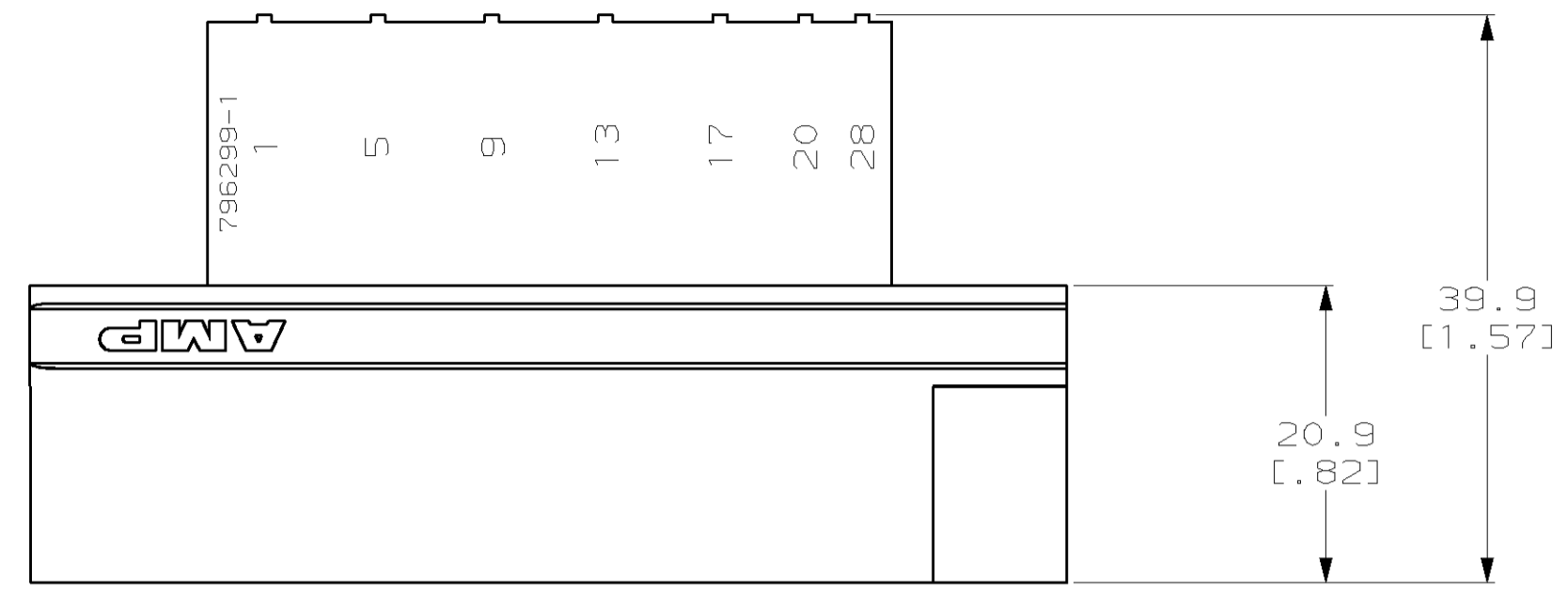
Email & Skype: info@chipsmall.com Web: www.chipsmall.com

Address: A1208, Overseas Decoration Building, #122 Zhenhua RD., Futian, Shenzhen, China



LOC	DIST	REVISIONS				
CH	11	REV	DESCRIPTION	DATE	BY	APVD
		0	RLSD PER NPR 1	24FEB00	LM	GS

\*AMPOWER is a trademark



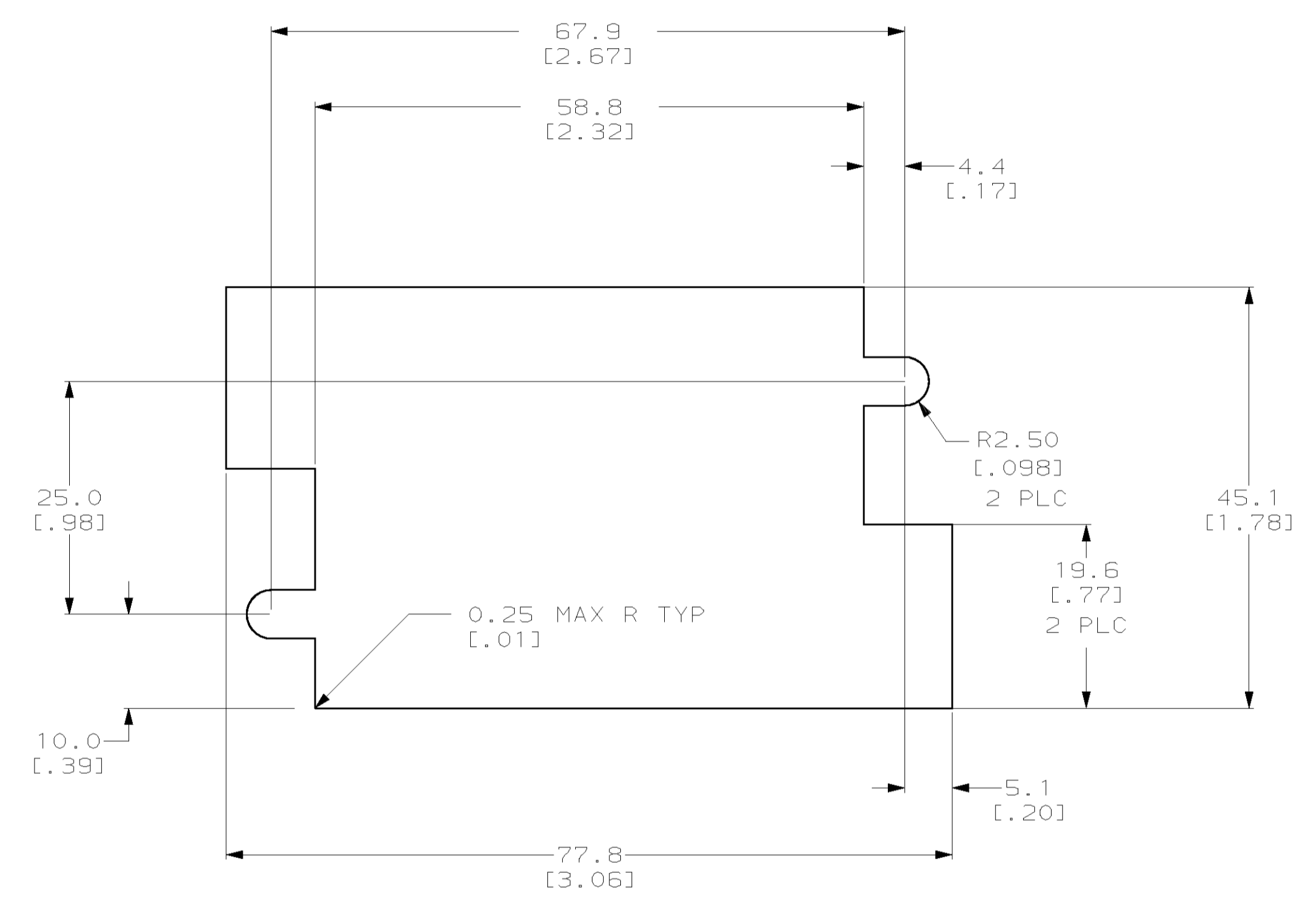
1. MATERIAL: POLYESTER PCT; BLACK.
2. POSITIONS 1-19 ARE FOR 3mm CONTACTS.
3. POSITIONS 20-35 ARE FOR SIZE 16 CONTACTS.
4. ALL DIMENSIONS, EXCEPT PANEL CUTOUTS, ARE REFERENCE ONLY.

796299-1  
PART NO.

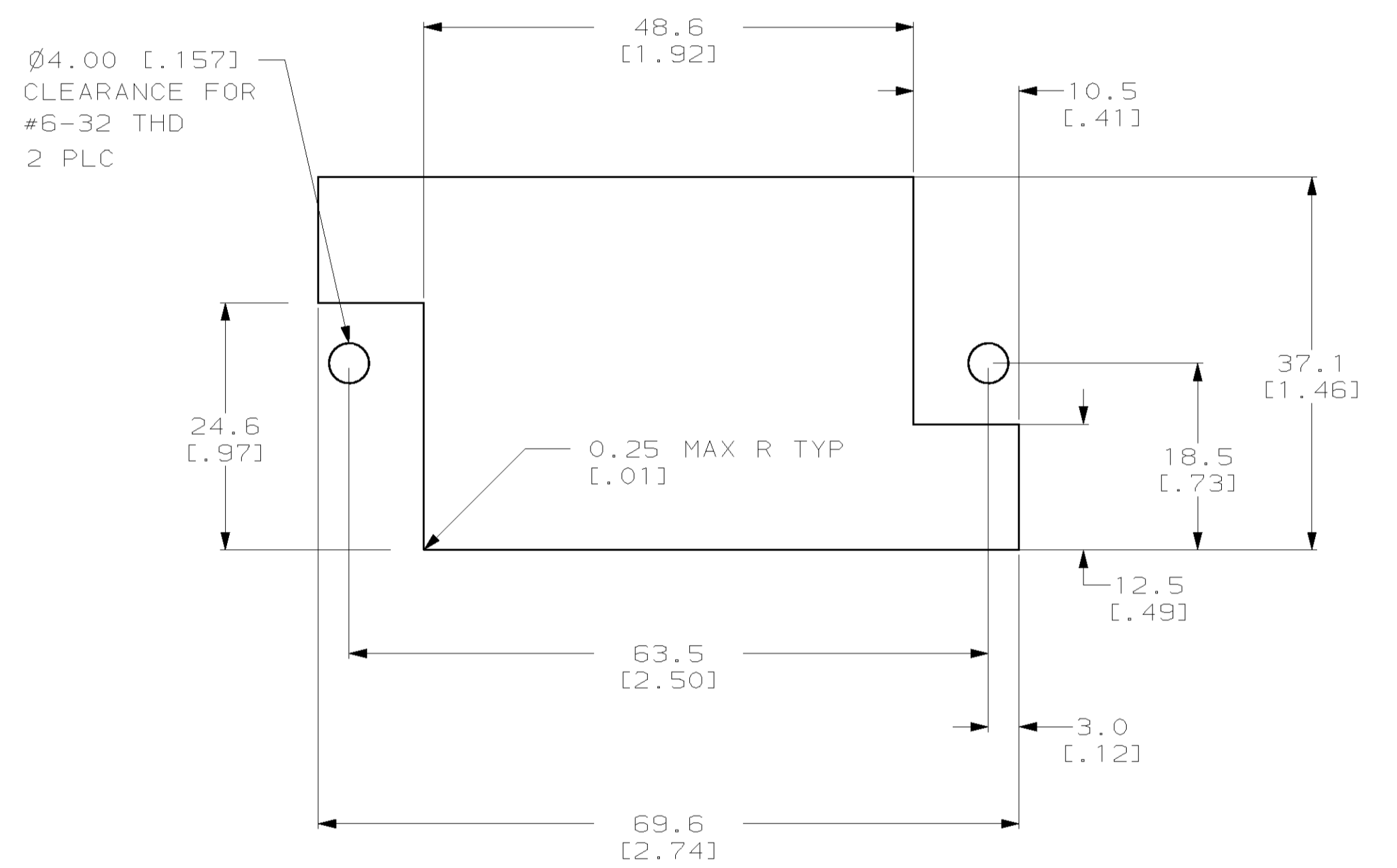
THIS DRAWING IS A CONTROLLED DOCUMENT.		DWN L. McEACHIN 24-FEB-2000	AMP Incorporated Harrisburg, PA 17105-3608	
DIMENSIONS: mm (INCHES)		CHK G. STEINHAEUER 24-FEB-2000	NAME AMPPOWER* MULTI PIN PLUS HOUSING, RECEPTACLE 35 POSITION	
TOLERANCES UNLESS OTHERWISE SPECIFIED:		APVD G. STEINHAEUER 24-FEB-2000	RESTRICTED TO	
0 PLC ±.015		PRODUCT SPEC	SIZE CAGE CODE DRAWING NO	
1 PLC ±.015		APPLICATION SPEC	A1 00779 C- 796299	
2 PLC ±.015		WEIGHT	SCALE 2:1 SHEET 1 OF 2 REV 0	
3 PLC ±.015		CUSTOMER DRAWING		
4 PLC ±.015				
MATERIAL				
FINISH				

LOC	DIST	REVISIONS				
CH	11	REV	DESCRIPTION	DATE	OWN	APVD
-	-	-	SEE SHEET 1	-	-	-

\*AMPOWER is a trademark



RECOMMENDED FLOAT MOUNT PANEL CUTOUT  
 EXTERNAL VIEW



RECOMMENDED STATIONARY MOUNT PANEL CUTOUT  
 EXTERNAL VIEW

THIS DRAWING IS A CONTROLLED DOCUMENT.		DWN L. McEACHIN 24-FEB-2000	AMP Incorporated Harrisburg, PA 17105-3608
DIMENSIONS: mm (INCHES)		CHK G. STEINHAUER 24-FEB-2000	
TOLERANCES UNLESS OTHERWISE SPECIFIED:		APVD G. STEINHAUER 24-FEB-2000	NAME AMPPOWER* MULTI PIN PLUS HOUSING, RECEPTACLE 35 POSITION
0 PLC ±-	1 PLC ±0.25	PRODUCT SPEC	SIZE A1
2 PLC ±0.12 [.01]	3 PLC ±(.005)	APPLICATION SPEC	CAGE CODE 796299
4 PLC ±-	ANGLES ±-	WEIGHT	RESTRICTED TO
MATERIAL	FINISH	CUSTOMER DRAWING	SCALE 2:1
		SHEET 2	OF 2
		REV 0	