



Chipsmall Limited consists of a professional team with an average of over 10 year of expertise in the distribution of electronic components. Based in Hongkong, we have already established firm and mutual-benefit business relationships with customers from,Europe,America and south Asia,supplying obsolete and hard-to-find components to meet their specific needs.

With the principle of “Quality Parts,Customers Priority,Honest Operation,and Considerate Service”,our business mainly focus on the distribution of electronic components. Line cards we deal with include Microchip,ALPS,ROHM,Xilinx,Pulse,ON,Everlight and Freescale. Main products comprise IC,Modules,Potentiometer,IC Socket,Relay,Connector.Our parts cover such applications as commercial,industrial, and automotives areas.

We are looking forward to setting up business relationship with you and hope to provide you with the best service and solution. Let us make a better world for our industry!



Contact us

Tel: +86-755-8981 8866 Fax: +86-755-8427 6832

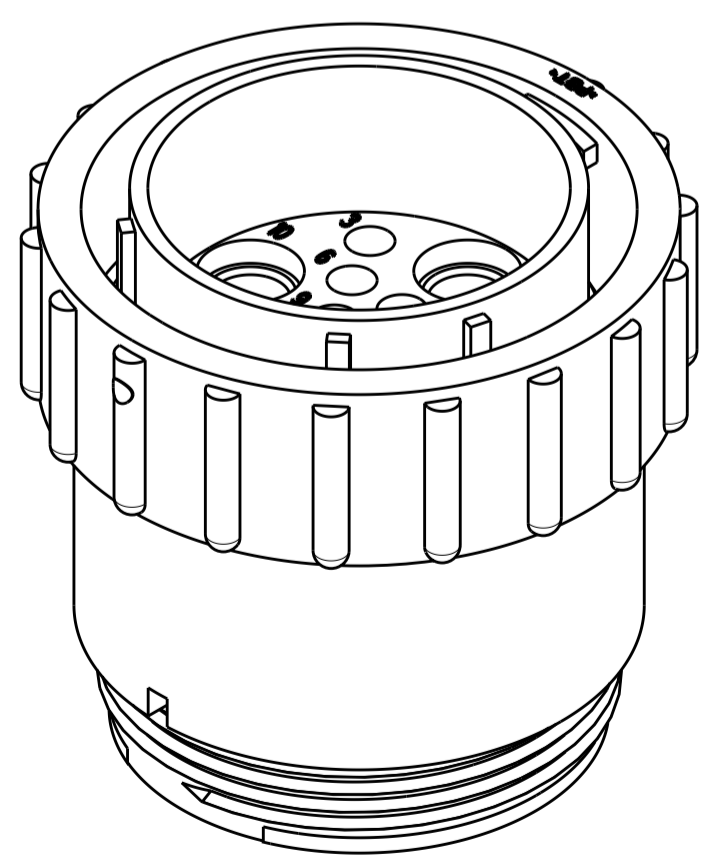
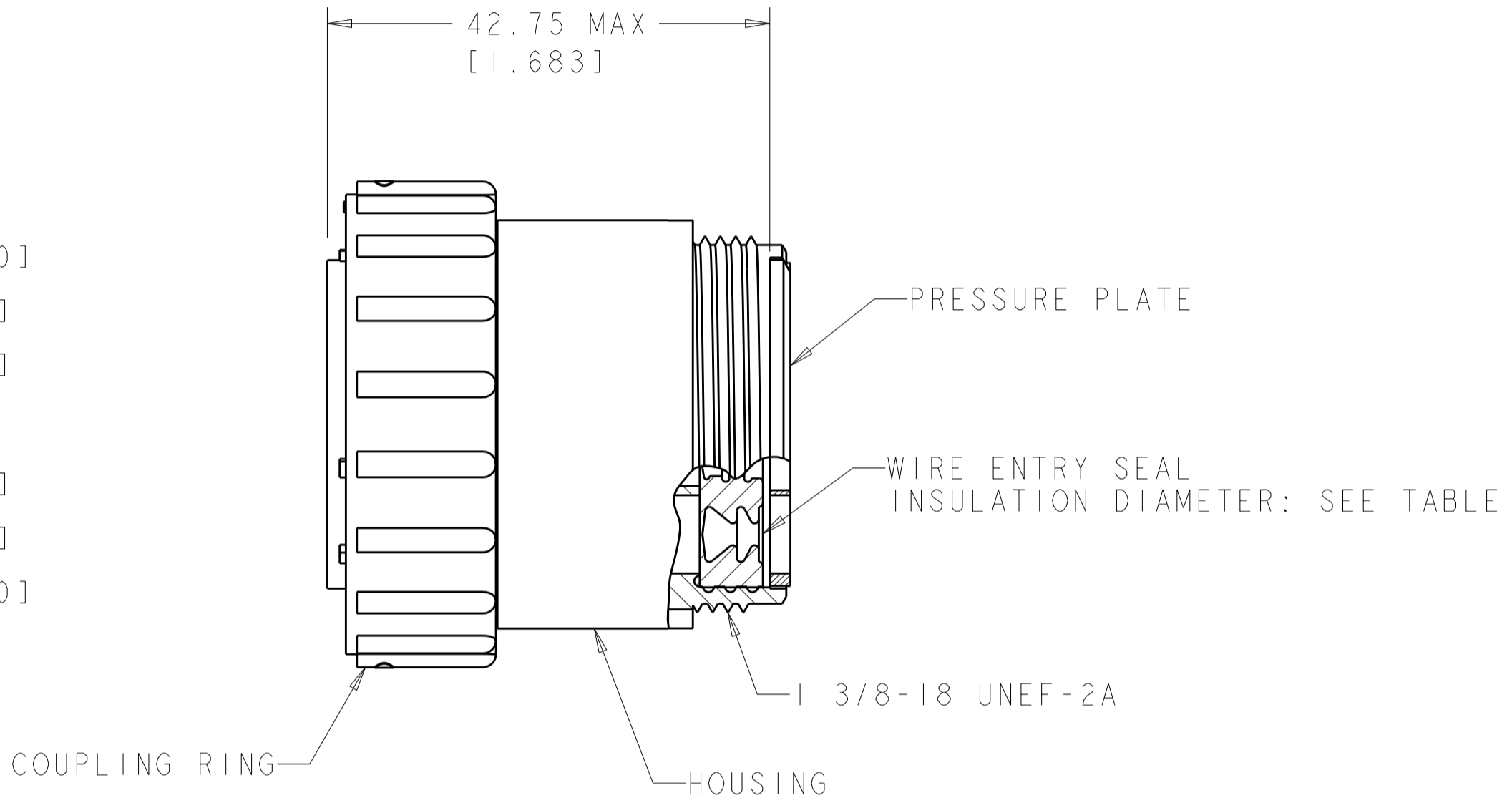
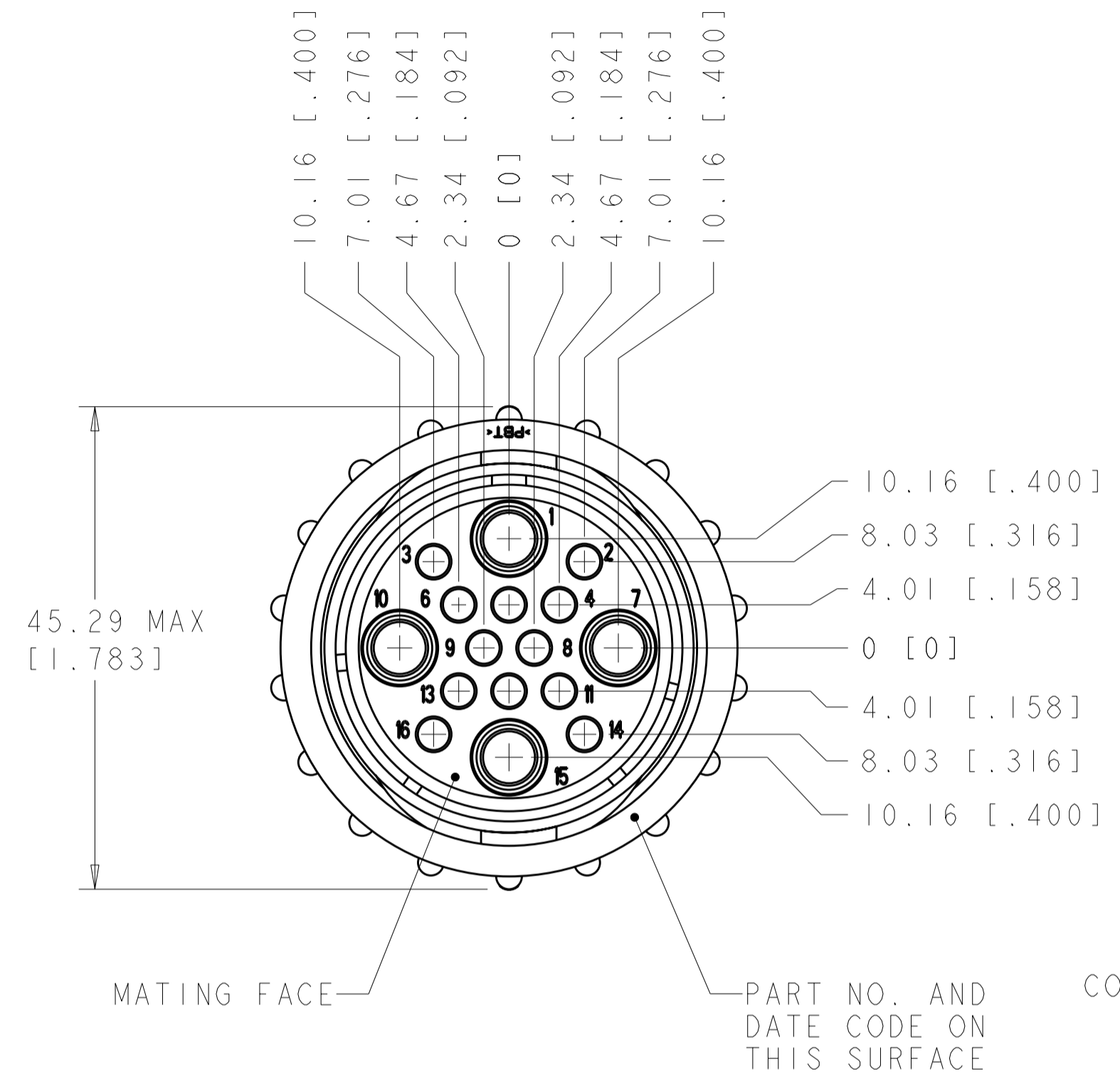
Email & Skype: info@chipsmall.com Web: www.chipsmall.com

Address: A1208, Overseas Decoration Building, #122 Zhenhua RD., Futian, Shenzhen, China



THIS DRAWING IS UNPUBLISHED. RELEASED FOR PUBLICATION
 © COPYRIGHT 20 BY TYCO ELECTRONICS CORPORATION. ALL INTERNATIONAL RIGHTS RESERVED.

REVISIONS				
P	LTR	DESCRIPTION	DATE	APVD
B		REVISED PER ECO-11-002844	10FEB2011	HMR MG



⚠ HOUSING & PRESSURE PLATE: NYLON, BLACK.
 WIRE ENTRY SEAL: ELASTOMER, RED-IRON OXIDE.
 COUPLING RING: POLYESTER, BLACK.
 2. WILL ACCEPT (12) MULTIMATE PINS AND (4) POWER MALE CONTACTS.

PRELIMINARY	.150-.265	796332-2
	.095-.205	796332-1
	INSULATION DIA	PART NUMBER

THIS DRAWING IS A CONTROLLED DOCUMENT FOR TYCO ELECTRONICS CORPORATION. IT IS SUBJECT TO CHANGE AND THE CONTROLLING ENGINEERING ORGANIZATION SHOULD BE CONTACTED FOR THE LATEST REVISION.		DWN: S. WELDON 13DEC1999	AMP Incorporated	
DIMENSIONS: mm [INCHES]		CHK: J. ENGLE 13DEC1999	Harrisburg, PA 17105-3608	
TOLERANCES UNLESS OTHERWISE SPECIFIED:		APVD: J. ENGLE 13DEC1999	NAME: PLUG ASSEMBLY, SERIES 6, REVERSE SEX, SIZE 23-16, CIRCULAR PLASTIC CONNECTOR	
0 PLC ±	1 PLC ±	PRODUCT SPEC: 108-1579	SIZE: A2	CAGE CODE: 00779
2 PLC ±0.02	3 PLC ±	APPLICATION SPEC: -	DRAWING NO: C-796332	RESTRICTED TO: -
4 PLC ±	ANGLES ±	WEIGHT: -	SCALE: 2:1	SHEET 1 OF 1
MATERIAL: -	FINISH: -	CUSTOMER DRAWING	REV: B	