



Chipsmall Limited consists of a professional team with an average of over 10 year of expertise in the distribution of electronic components. Based in Hongkong, we have already established firm and mutual-benefit business relationships with customers from,Europe,America and south Asia,supplying obsolete and hard-to-find components to meet their specific needs.

With the principle of “Quality Parts,Customers Priority,Honest Operation,and Considerate Service”,our business mainly focus on the distribution of electronic components. Line cards we deal with include Microchip,ALPS,ROHM,Xilinx,Pulse,ON,Everlight and Freescale. Main products comprise IC,Modules,Potentiometer,IC Socket,Relay,Connector.Our parts cover such applications as commercial,industrial, and automotives areas.

We are looking forward to setting up business relationship with you and hope to provide you with the best service and solution. Let us make a better world for our industry!



## Contact us

Tel: +86-755-8981 8866 Fax: +86-755-8427 6832

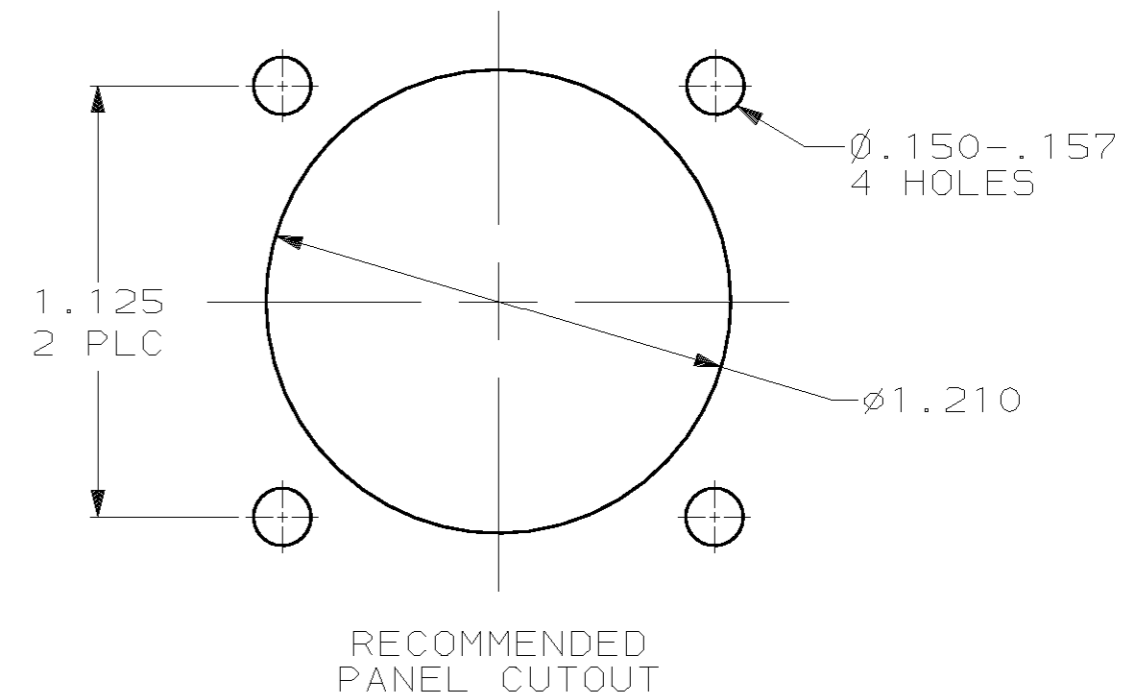
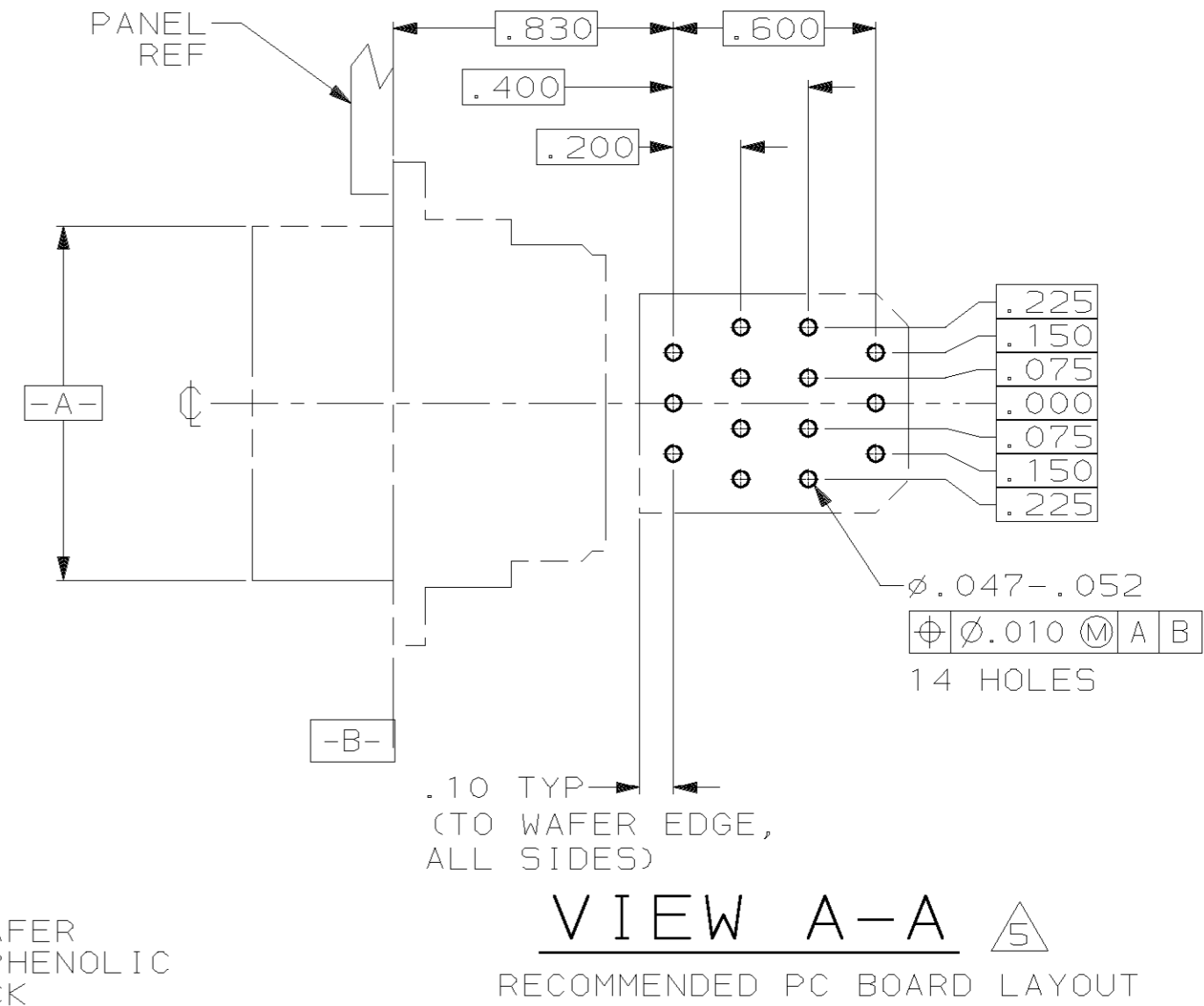
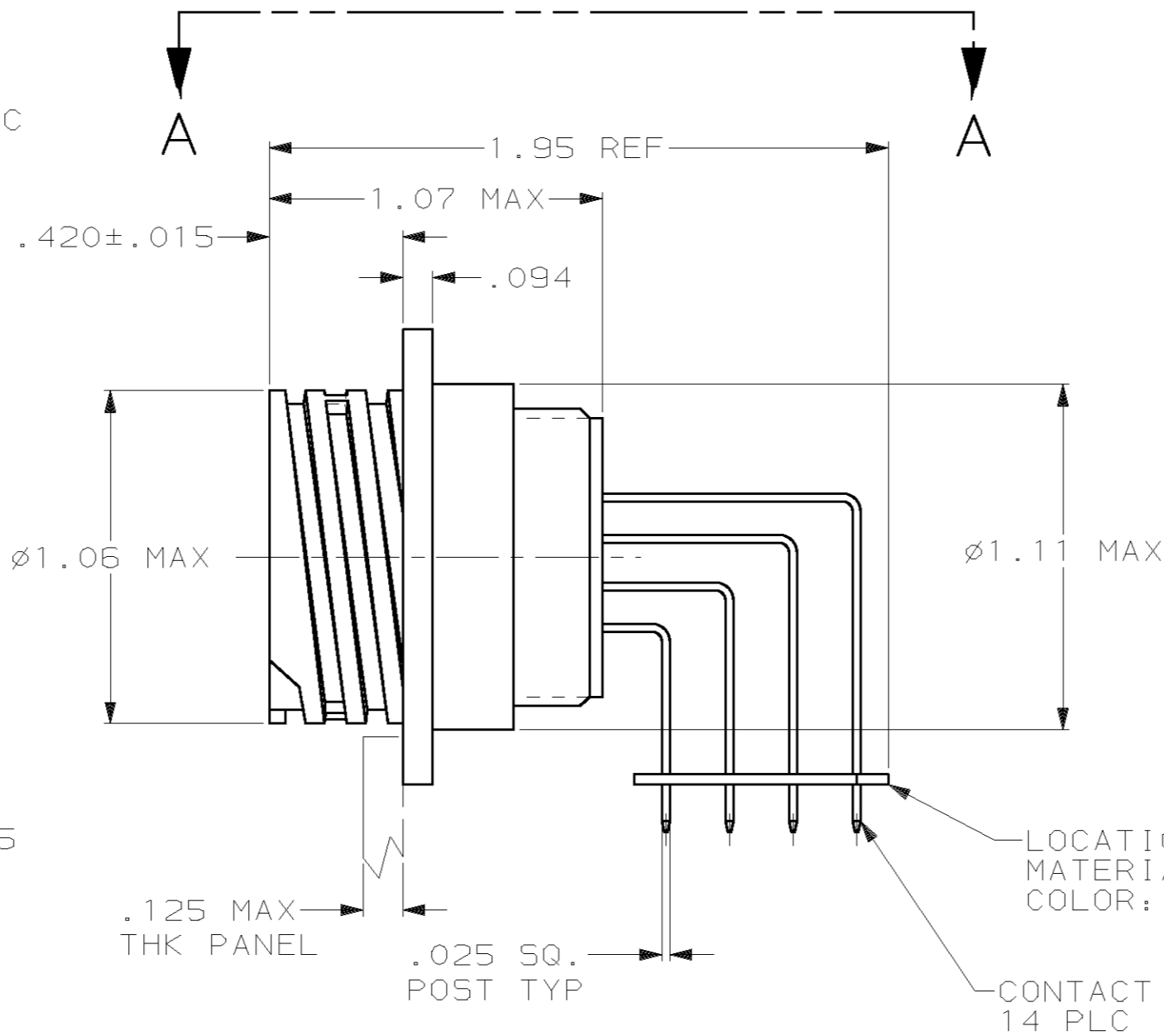
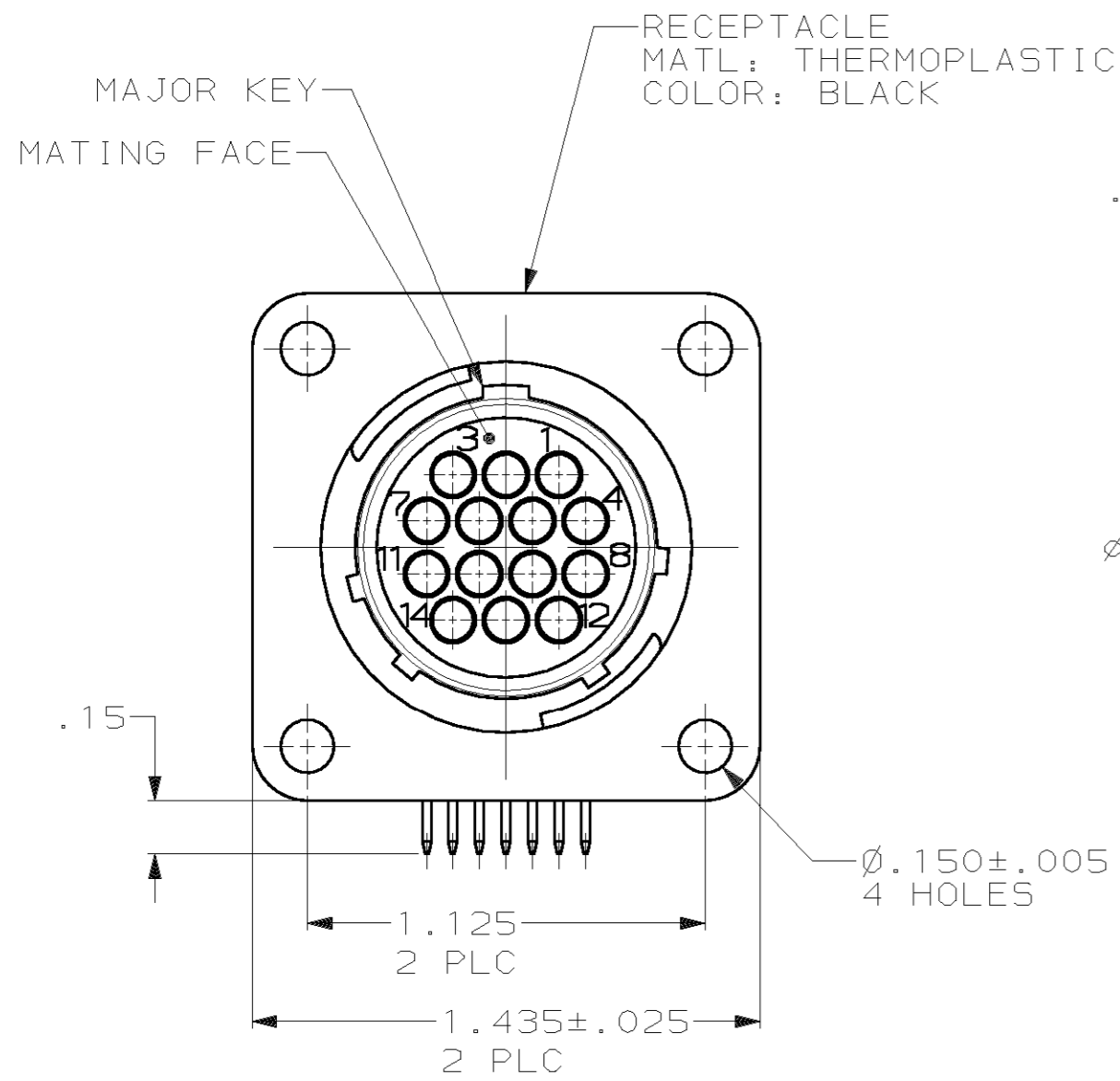
Email & Skype: info@chipsmall.com Web: www.chipsmall.com

Address: A1208, Overseas Decoration Building, #122 Zhenhua RD., Futian, Shenzhen, China



THIS DRAWING IS UNPUBLISHED. RELEASED FOR PUBLICATION .19  
 BY AMP INCORPORATED. ALL RIGHTS RESERVED.

LOC	DIST	REVISIONS			
P	LTR	DESCRIPTION	DATE	DWN	APVD
FT	0				
	C	REVISE PER ECN 063B-0587-00	07DEC00	SU	MC



- CONTACT CAVITIES IDENTIFIED BY CHARACTERS ON FRONT AND REAR FACES OF CONNECTOR.
- #6 FASTENER RECOMMENDED FOR MOUNTING.
- CONTACT BODY: .000100 MIN TIN-LEAD OVER .000050 MIN NICKEL. CONTACT POST: .000100 MIN TIN-LEAD OVER .000100 MIN COPPER.
- CONTACT BODY: .000030 MIN GOLD FOR A LENGTH OF .200 MIN FROM MATING END, WITH REMAINDER TO BE GOLD FLASH, BOTH OVER .000050 MIN NICKEL. CONTACT POST: .000100 MIN TIN-LEAD OVER .000100 MIN COPPER.
- PC BOARD HOLE PATTERN IS DEFINED RELATIVE TO CONNECTOR  $\phi$  AND PANEL MOUNTING FACE INDICATED.

$\Delta$ 4	796348-2
$\Delta$ 3	796348-1
CONTACT FINISH	PART NUMBER

THIS DRAWING IS A CONTROLLED DOCUMENT.		DWN	HAMNER	3-10-00
DIMENSIONS: INCHES		CHK	M.CHACKO	3-21-00
TOLERANCES UNLESS OTHERWISE SPECIFIED:		APVD	M.CHACKO	3-21-00
0 PLC ±-		NAME		
1 PLC ±-		M.CHACKO		
2 PLC ±.03		PRODUCT SPEC		
3 PLC ±.010		APPLICATION SPEC		
4 PLC ±-		SIZE		
ANGLES ±-		CAGE CODE		
FINISH ±-		DRAWING NO		
MATERIAL		WEIGHT		
		A2 00779		
		CUSTOMER DRAWING		
		SCALE		
		2/1		
		SHEET		
		1 OF 1		
		REV		
		C		

**AMP** AMP Incorporated  
 Harrisburg, PA 17105-3608

RECEPTACLE ASSY, POSTED, RT ANGLE, RVS SEX, SIZE 17-14, SERIES 1, CPC