



Chipsmall Limited consists of a professional team with an average of over 10 year of expertise in the distribution of electronic components. Based in Hongkong, we have already established firm and mutual-benefit business relationships with customers from,Europe,America and south Asia,supplying obsolete and hard-to-find components to meet their specific needs.

With the principle of “Quality Parts,Customers Priority,Honest Operation,and Considerate Service”,our business mainly focus on the distribution of electronic components. Line cards we deal with include Microchip,ALPS,ROHM,Xilinx,Pulse,ON,Everlight and Freescale. Main products comprise IC,Modules,Potentiometer,IC Socket,Relay,Connector.Our parts cover such applications as commercial,industrial, and automotives areas.

We are looking forward to setting up business relationship with you and hope to provide you with the best service and solution. Let us make a better world for our industry!



Contact us

Tel: +86-755-8981 8866 Fax: +86-755-8427 6832

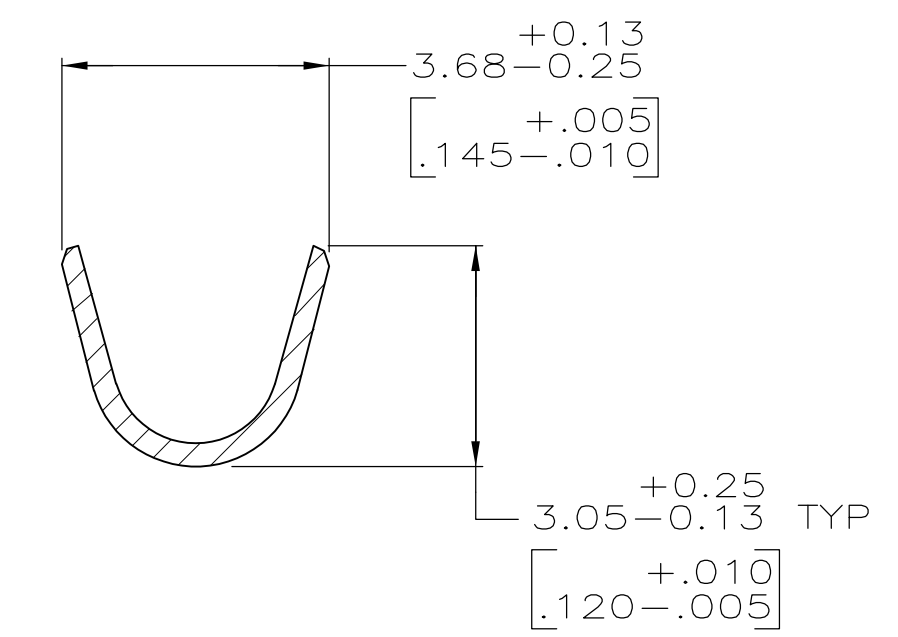
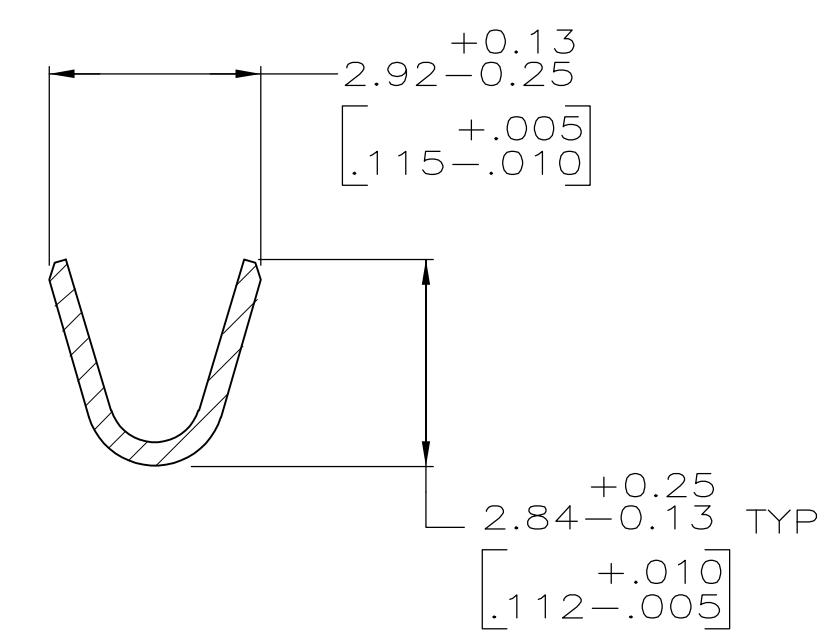
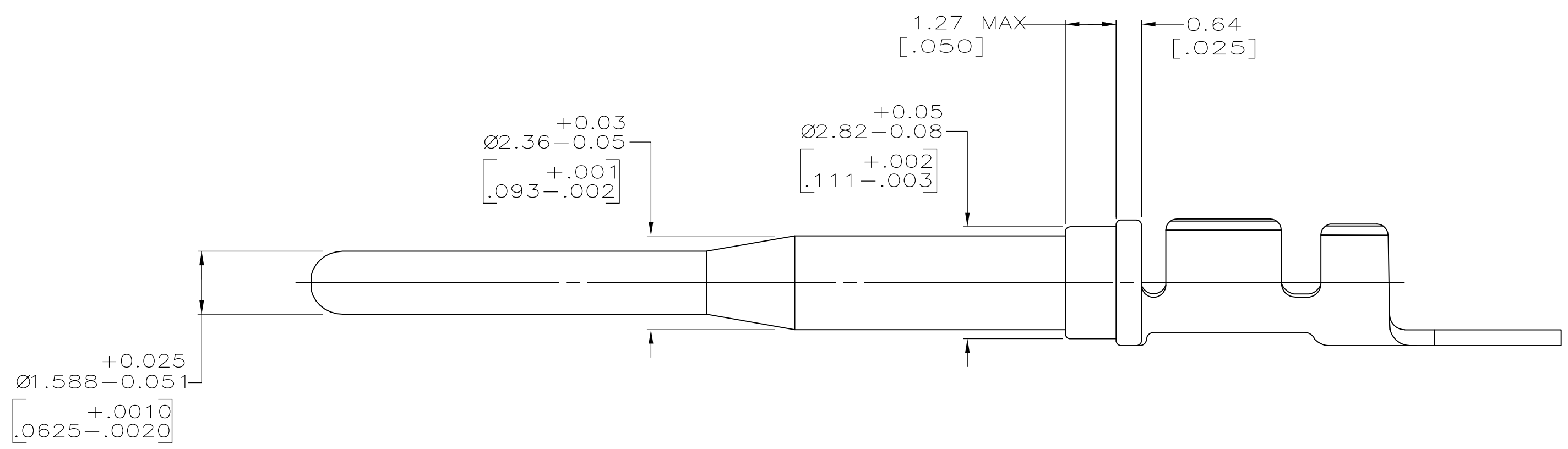
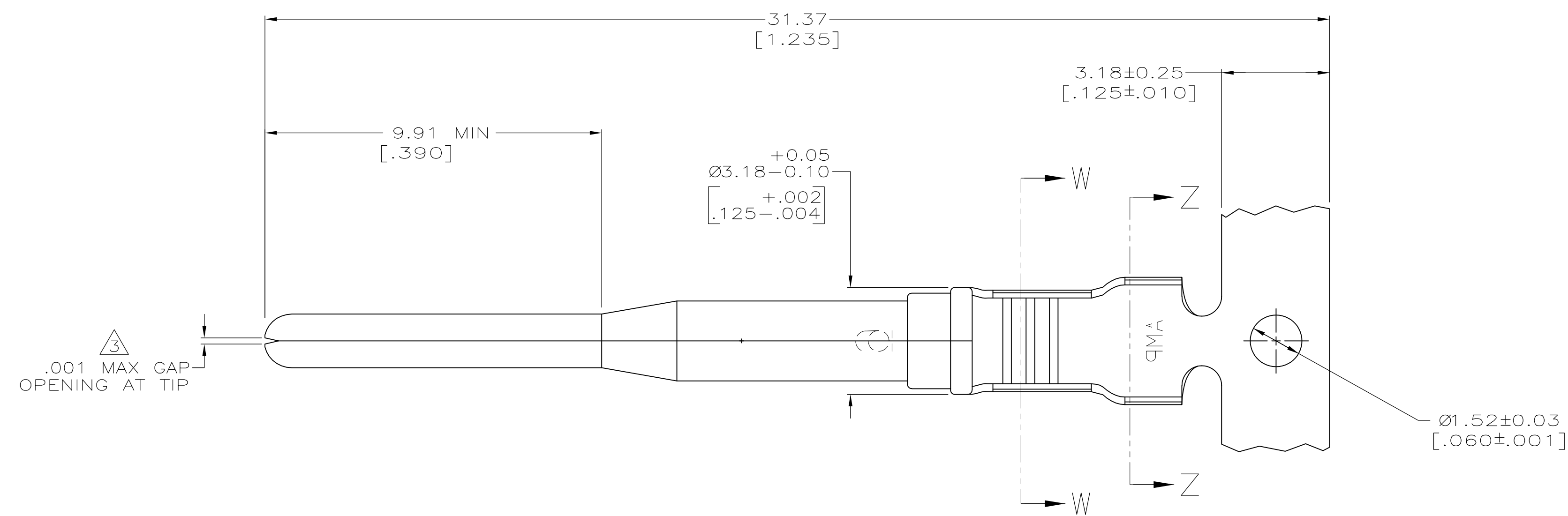
Email & Skype: info@chipsmall.com Web: www.chipsmall.com

Address: A1208, Overseas Decoration Building, #122 Zhenhua RD., Futian, Shenzhen, China



LOC	DIST	REVISIONS					
FT	0	P	LTR	DESCRIPTION	DATE	DWN	APVD
		B		REVISE PER ECN 0G3B-0621-00	06DEC00	SU	GS
		B1		REVISED PER ECO-09-023313	09OCT09	KK	AEG

- △ BRASS PER MIL-C-50D.
- △ PRE-PLATED TIN OVER NICKEL.
- △ DIMENSION APPLIES TO INTERNAL SURFACE OPENING ONLY.
- 4. 18-16 WIRE RANGE.
- 5. .080-.100 INSULATION RANGE.
- △ PRE-PLATED GOLD FLASH.
- △ OBSOLETE PARTS: OBSOLETE CIS STREAMLINING PER D.RENAUD/D.SINISI



△ OBSOLETE	△ B	△ B	796376-2
	△ A	△ A	796376-1
FINISH		MATERIAL	PART NUMBER

THIS DRAWING IS A CONTROLLED DOCUMENT.		DWN D.FARIAN 12 JAN 00	AMP Incorporated Harrisburg, PA 17105-3608
DIMENSIONS: mm [INCHES]		CHK G.STEINHAEUER 16 MAR 00	AMP PIN BODY, TYPE III+, SIZE 16
TOLERANCES UNLESS OTHERWISE SPECIFIED:		APVD G.STEINHAEUER 16 MAR 00	
Ø PLC	±	NAME	PRODUCT SPEC
1 PLC	±	APPLICATION SPEC	SIZE
2 PLC	±0.13 [.005]	WEIGHT	CAGE CODE
3 PLC	±	CUSTOMER DRAWING	DRAWING NO
4 PLC	±	SCALE	10:1
ANGLES	±	SHEET	1 OF 1
FINISH	△ △	REV	B1