



Chipsmall Limited consists of a professional team with an average of over 10 year of expertise in the distribution of electronic components. Based in Hongkong, we have already established firm and mutual-benefit business relationships with customers from,Europe,America and south Asia,supplying obsolete and hard-to-find components to meet their specific needs.

With the principle of "Quality Parts,Customers Priority,Honest Operation,and Considerate Service",our business mainly focus on the distribution of electronic components. Line cards we deal with include Microchip,ALPS,ROHM,Xilinx,Pulse,ON,Everlight and Freescale. Main products comprise IC,Modules,Potentiometer,IC Socket,Relay,Connector.Our parts cover such applications as commercial,industrial, and automotives areas.

We are looking forward to setting up business relationship with you and hope to provide you with the best service and solution. Let us make a better world for our industry!



## Contact us

Tel: +86-755-8981 8866 Fax: +86-755-8427 6832

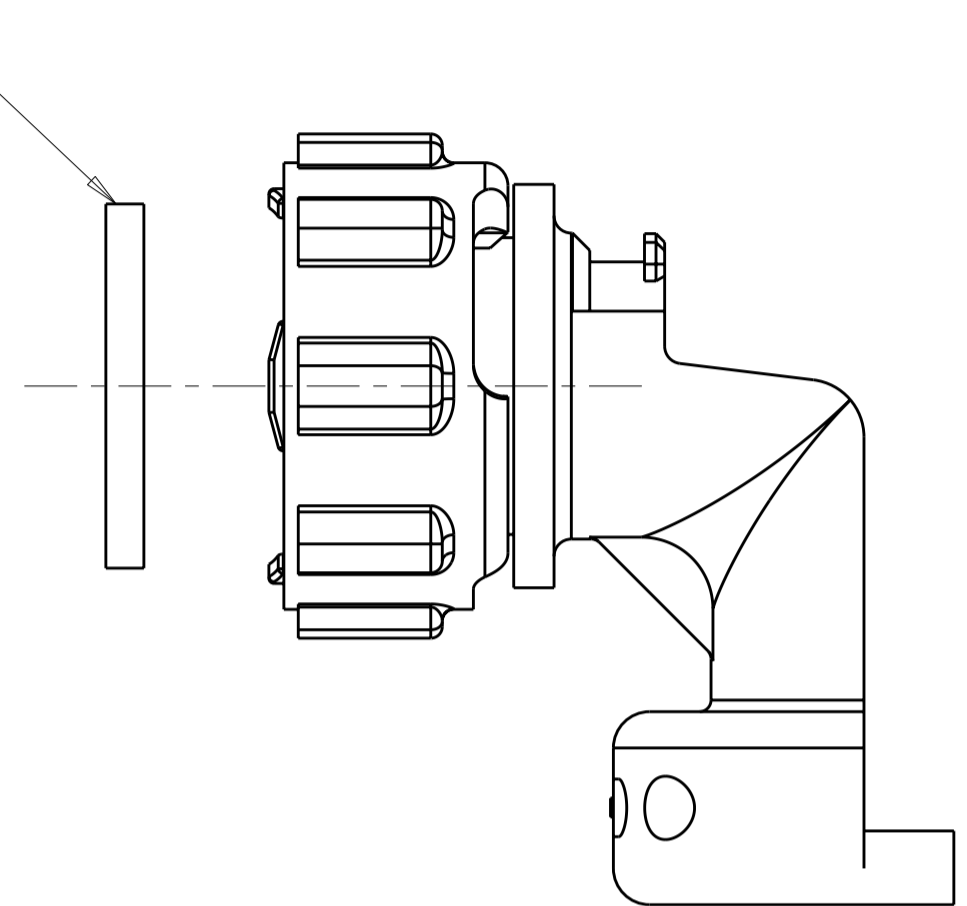
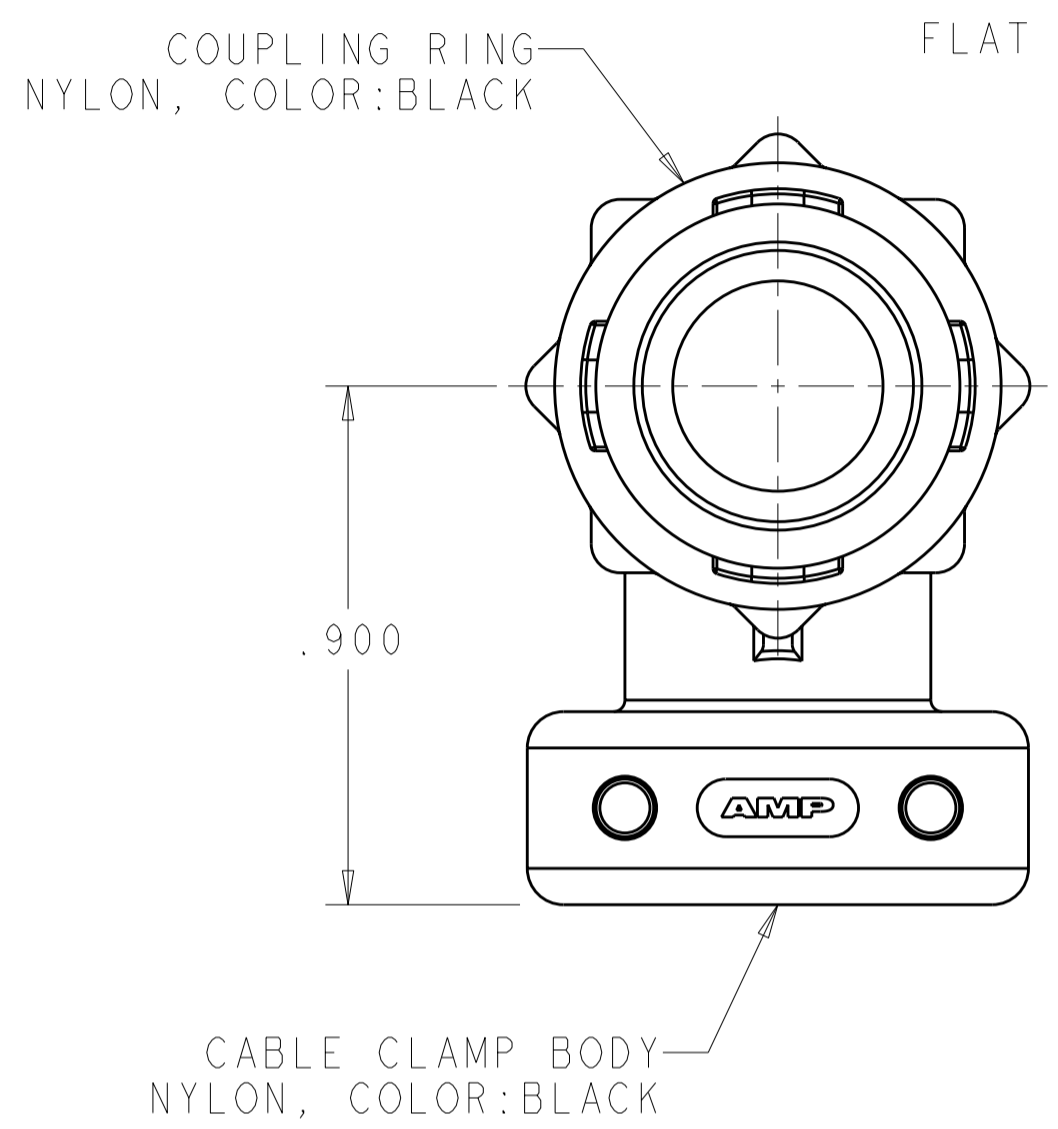
Email & Skype: info@chipsmall.com Web: www.chipsmall.com

Address: A1208, Overseas Decoration Building, #122 Zhenhua RD., Futian, Shenzhen, China



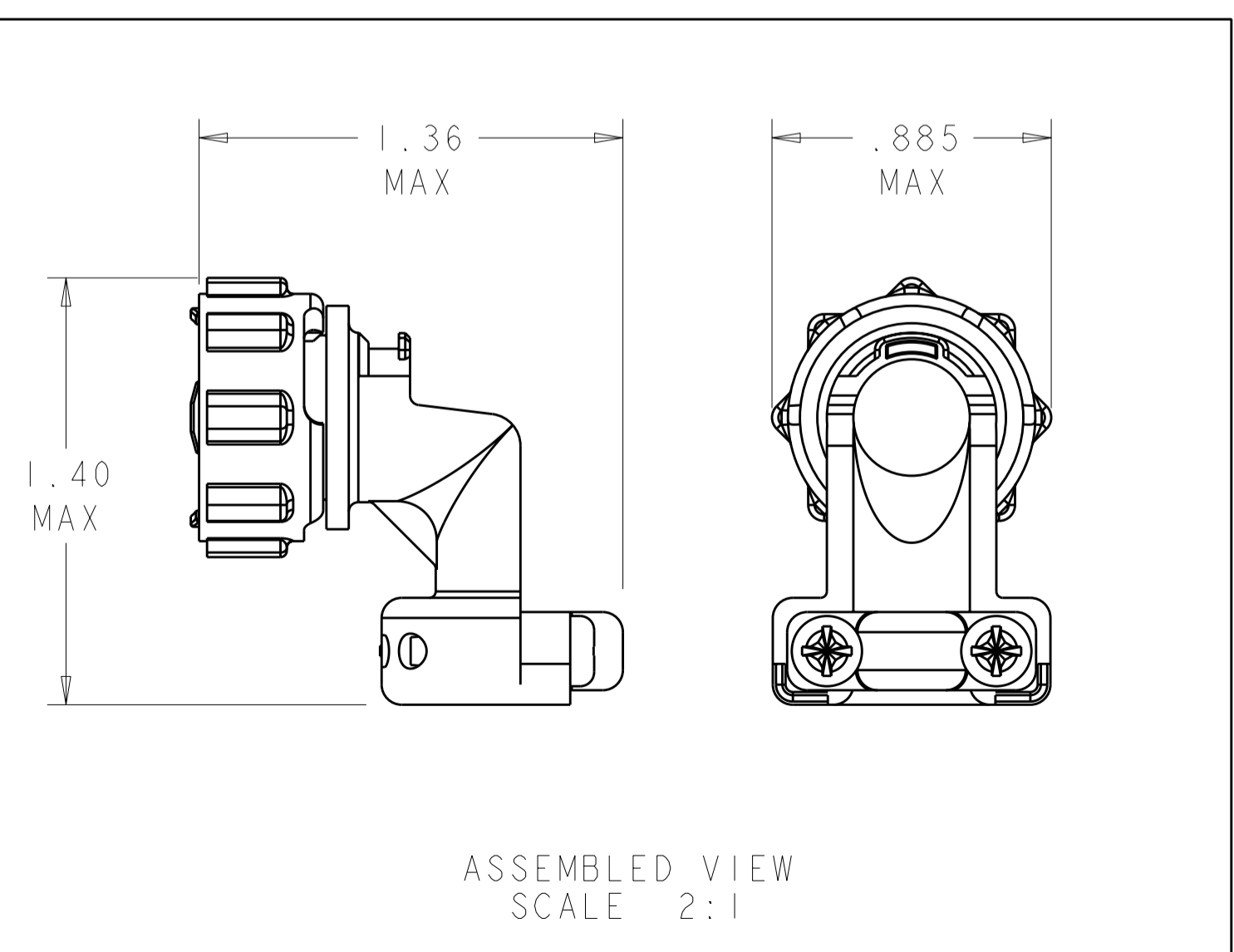
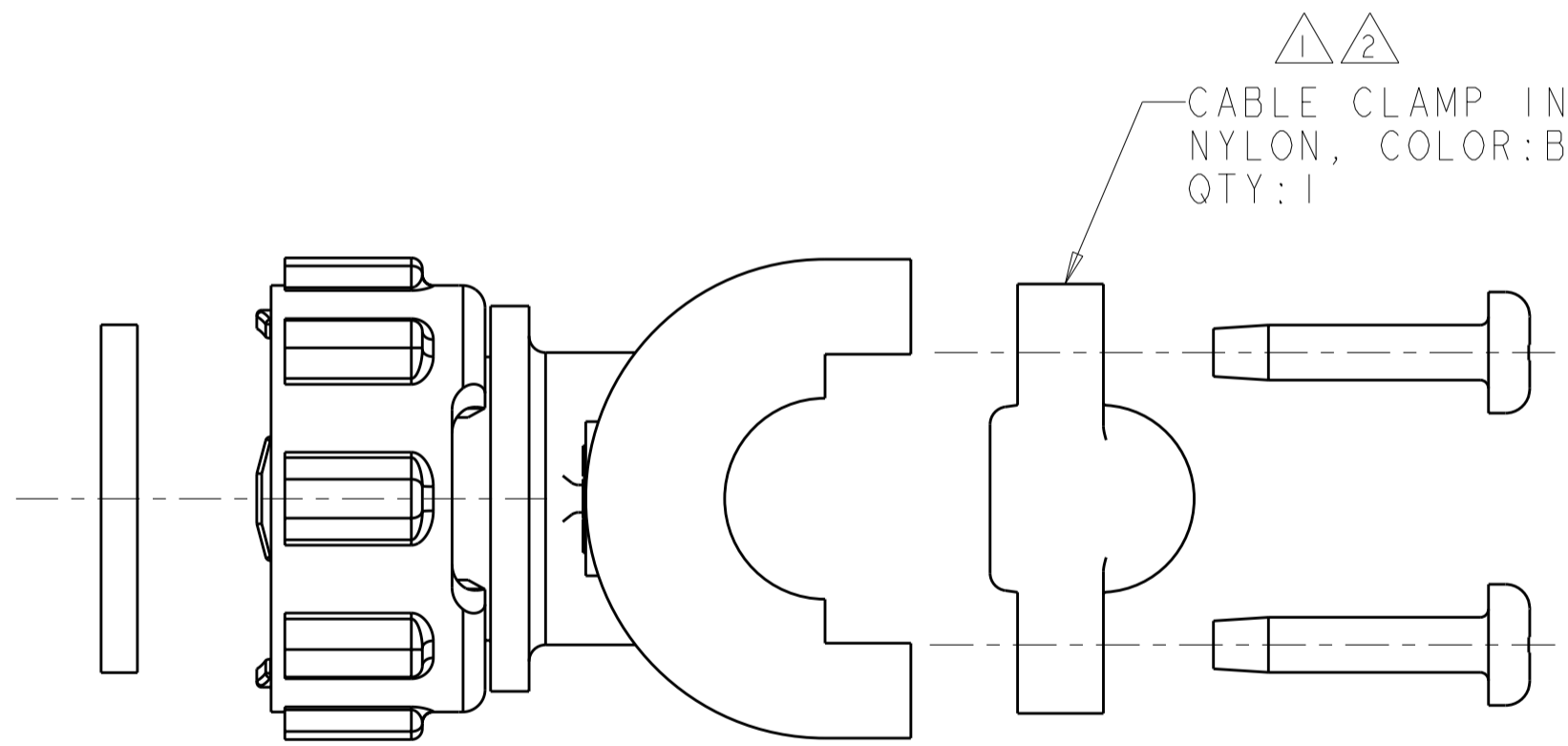
THIS DRAWING IS UNPUBLISHED. RELEASED FOR PUBLICATION  
 © COPYRIGHT 20 BY TYCO ELECTRONICS CORPORATION. ALL RIGHTS RESERVED.

LOC	DIST	REVISIONS			
P	LTR	DESCRIPTION	DATE	DWN	APVD
FT	0	E	REVISED PER ECO-10-012730	20SEP10	HMR MG



- 1 SELF TAPPING SCREWS AND CABLE CLAMP INSERTS PACKAGED UNASSEMBLED.
- 2 CLAMPING AREA ADJUSTABLE TO .329 O.D. MAX CABLE. CABLE CLAMP INSERTS CAN BE ADJUSTED BY INVERTING OR CHANGING CABLE CLAMP INSERT.

1 5-20 SELF TAPPING SCREW  
 MATERIAL: STEEL  
 QTY: 2  
 LENGTH: .50<sup>+.00</sup><sub>-.05</sub>



796379-2	796379-1
PART NUMBER	

<small>THIS DRAWING IS A CONTROLLED DOCUMENT FOR TYCO ELECTRONICS CORPORATION. IT IS SUBJECT TO CHANGE AND THE CONTROLLING ENGINEERING ORGANIZATION SHOULD BE CONTACTED FOR THE LATEST REVISION.</small>		DWN S.WELDON 11FEB2000 CHK M.CHACKO 11FEB2000 APVD M.CHACKO 11FEB2000	<b>Tyco Electronics</b> AMP Incorporated Harrisburg, PA 17105-3608
DIMENSIONS: INCHES 	TOLERANCES UNLESS OTHERWISE SPECIFIED: 0 PLC ± 1 PLC ± 2 PLC ± 3 PLC ±0.005 4 PLC ± ANGLES ± FINISH	PRODUCT SPEC APPLICATION SPEC WEIGHT CUSTOMER DRAWING	NAME <b>CABLE CLAMP KIT, UNASSEMBLED, RIGHT ANGLE, SIZE 11, CPC</b> SIZE CAGE CODE DRAWING NO RESTRICTED TO A200779 C-796379 SCALE 3:1 SHEET 1 OF 1 REV E