



Chipsmall Limited consists of a professional team with an average of over 10 year of expertise in the distribution of electronic components. Based in Hongkong, we have already established firm and mutual-benefit business relationships with customers from,Europe,America and south Asia,supplying obsolete and hard-to-find components to meet their specific needs.

With the principle of “Quality Parts,Customers Priority,Honest Operation,and Considerate Service”,our business mainly focus on the distribution of electronic components. Line cards we deal with include Microchip,ALPS,ROHM,Xilinx,Pulse,ON,Everlight and Freescale. Main products comprise IC,Modules,Potentiometer,IC Socket,Relay,Connector.Our parts cover such applications as commercial,industrial, and automotives areas.

We are looking forward to setting up business relationship with you and hope to provide you with the best service and solution. Let us make a better world for our industry!



Contact us

Tel: +86-755-8981 8866 Fax: +86-755-8427 6832

Email & Skype: info@chipsmall.com Web: www.chipsmall.com

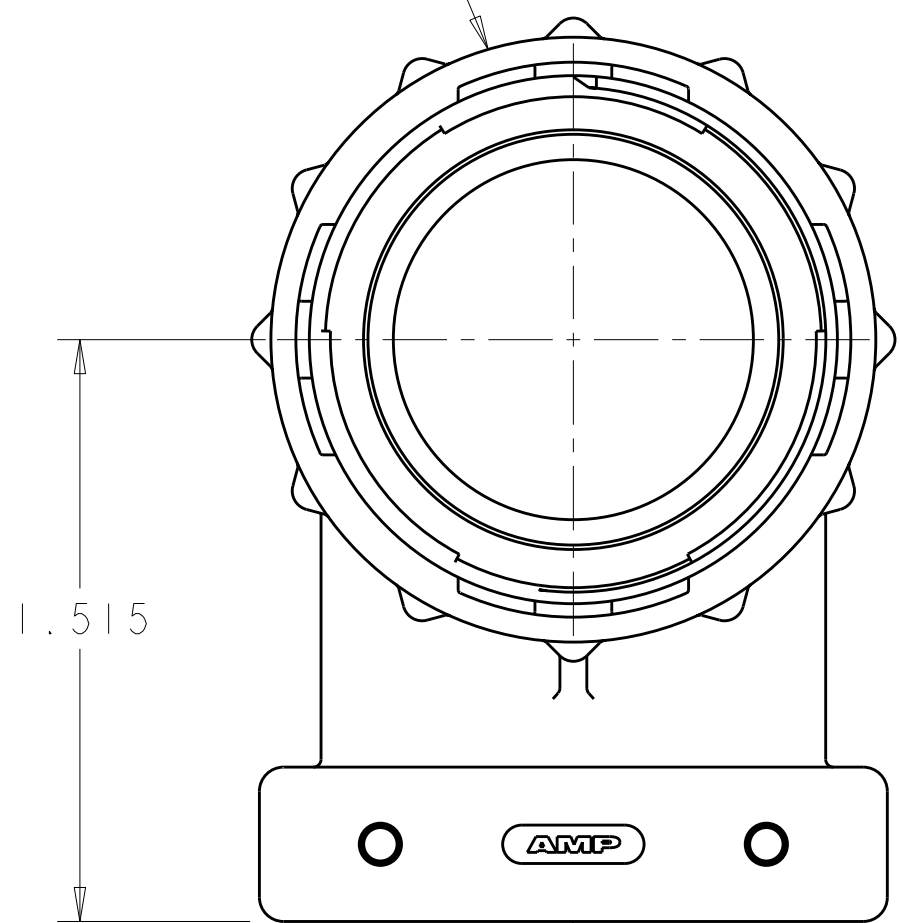
Address: A1208, Overseas Decoration Building, #122 Zhenhua RD., Futian, Shenzhen, China



THIS DRAWING IS UNPUBLISHED. RELEASED FOR PUBLICATION
 © COPYRIGHT 20 BY TYCO ELECTRONICS CORPORATION. ALL RIGHTS RESERVED.

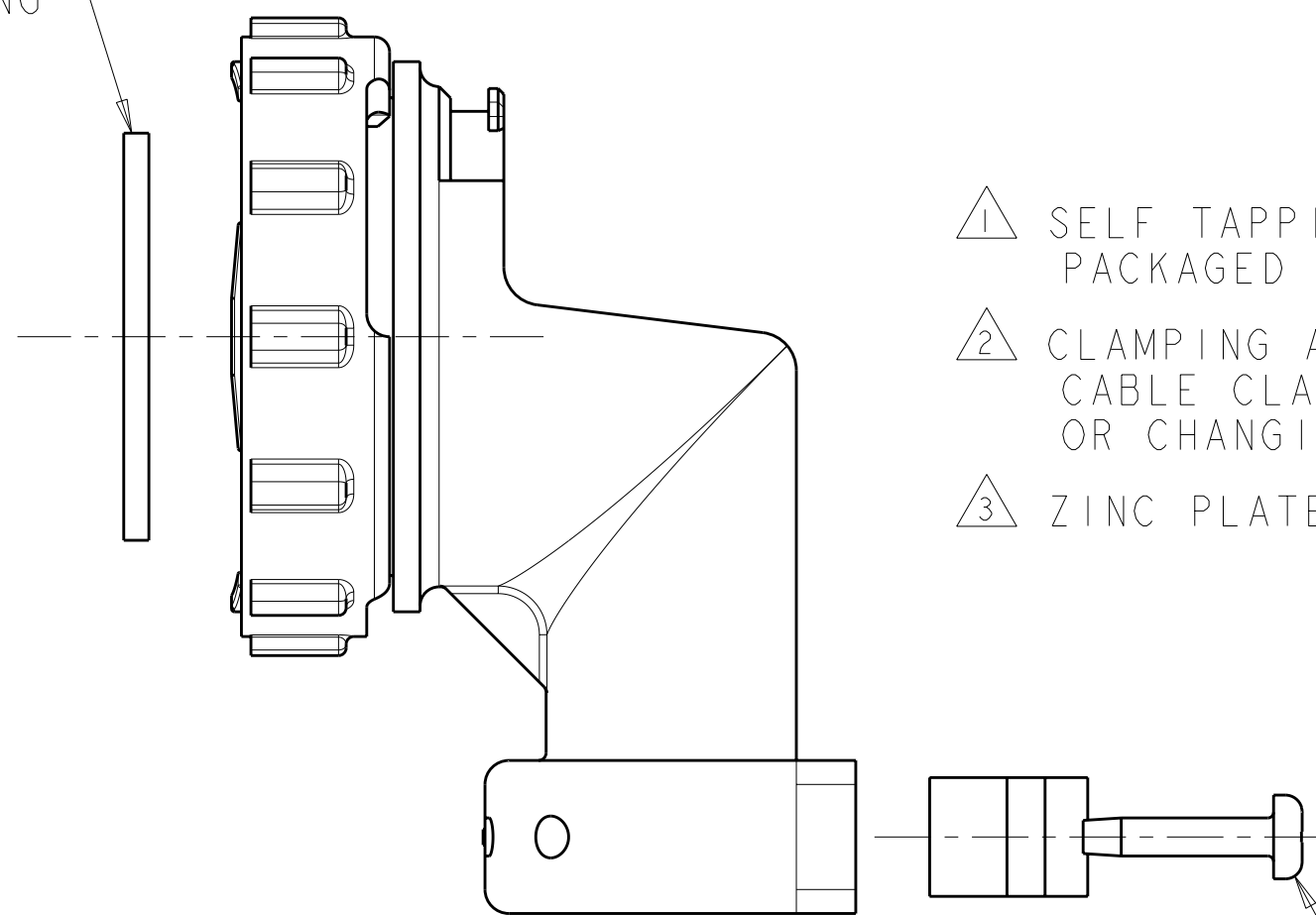
LOC		DIST		REVISIONS			
P	LTR	DESCRIPTION	DATE	DWN	APVD		
	D	REVISED PER ECO-10-012730	20SEP10	HMR	MG		

COUPLING RING
 NYLON, COLOR:BLACK



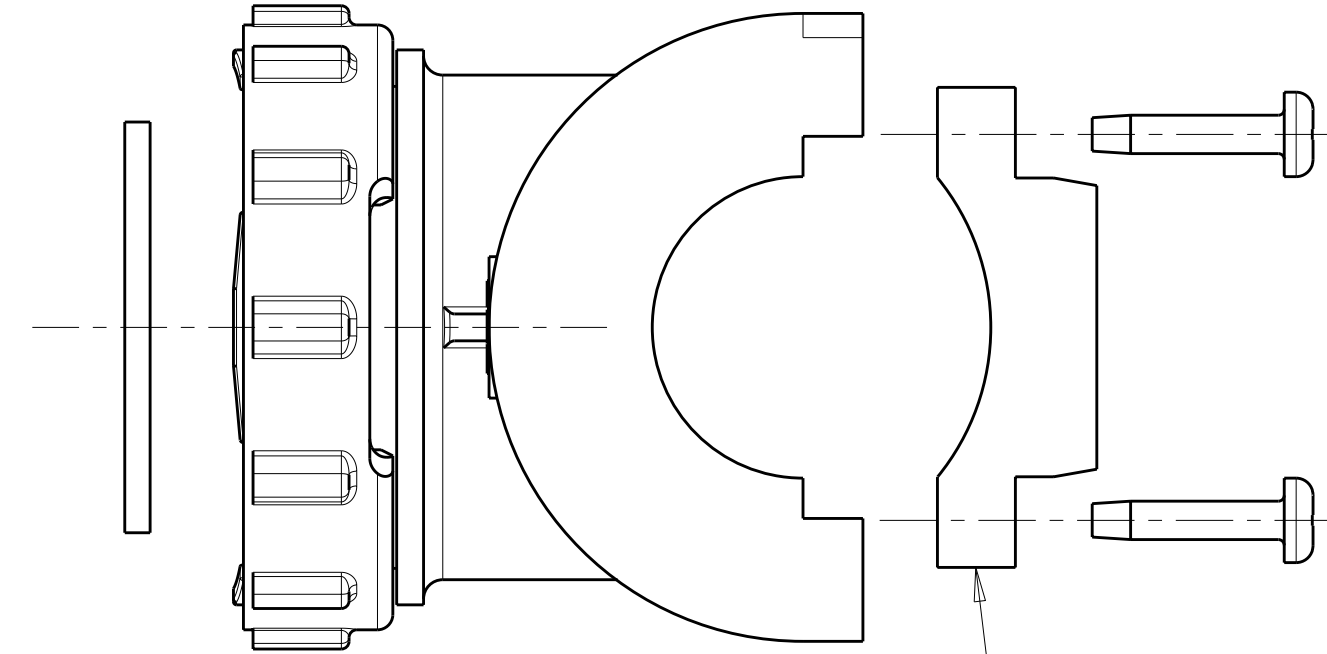
CABLE CLAMP BODY
 NYLON, COLOR:BLACK

FLAT RING

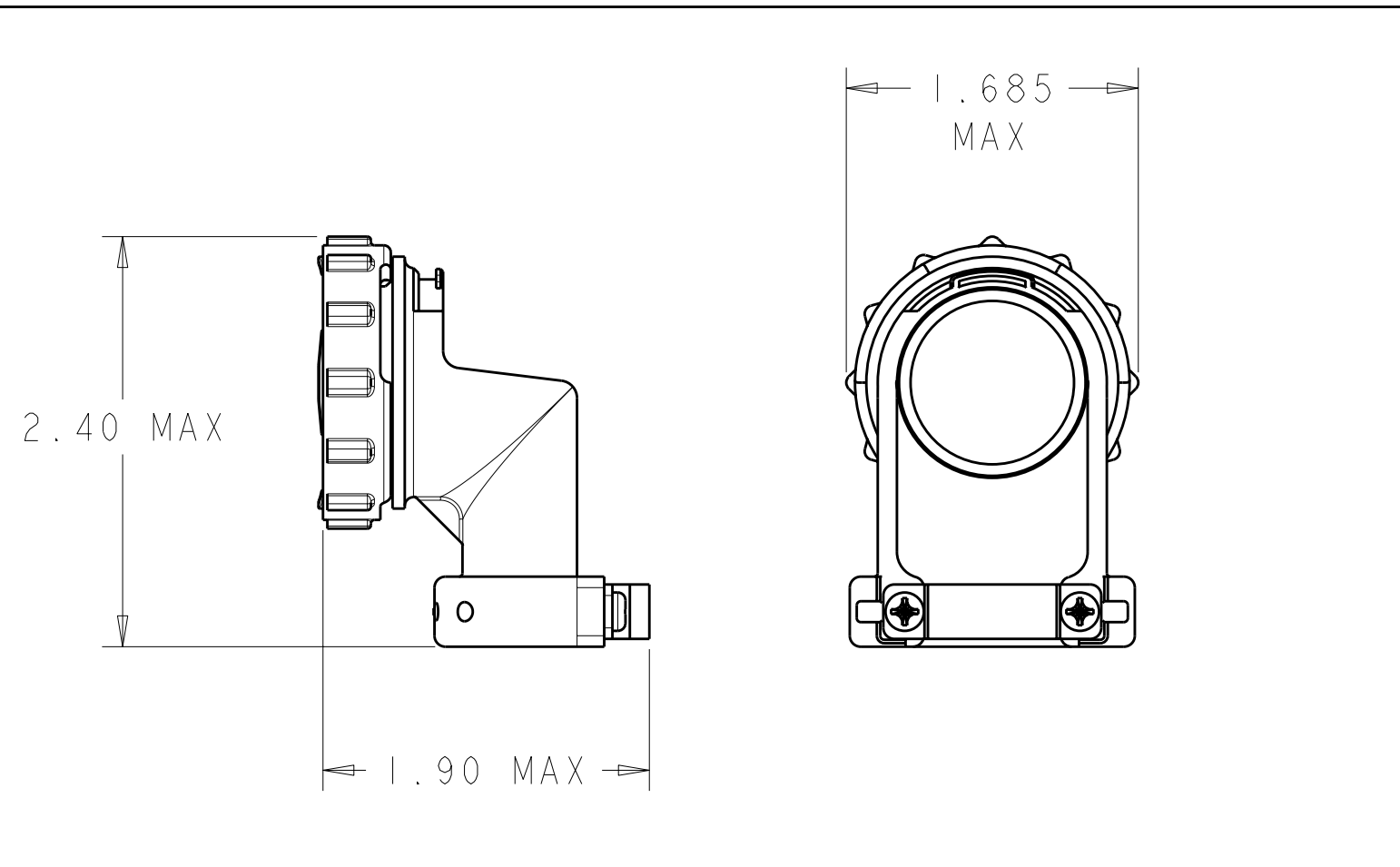


- ① SELF TAPPING SCREWS AND CABLE CLAMP INSERTS PACKAGED UNASSEMBLED.
- ② CLAMPING AREA ADJUSTABLE TO .703 O.D. MAX CABLE. CABLE CLAMP INSERTS CAN BE ADJUSTED BY INVERTING OR CHANGING CABLE CLAMP INSERT.
- ③ ZINC PLATED NON-HEXAVALENT CHROMATE.

① 5-20 SELF TAPPING SCREW
 MATERIAL: STEEL
 FINISH: SEE TABLE
 QTY: 2
 LENGTH: .50^{+.00}_{-.05}



CABLE CLAMP INSERT
 NYLON, COLOR:BLACK
 QTY: 2



ASSEMBLED VIEW
 SCALE: 1:1

③	796382-2
③	796382-1
SCREW FINISH	PART NUMBER

SUPERSEDED BY -2

<small>THIS DRAWING IS A CONTROLLED DOCUMENT FOR TYCO ELECTRONICS CORPORATION. IT IS SUBJECT TO CHANGE AND THE CONTROLLING ENGINEERING ORGANIZATION SHOULD BE CONTACTED FOR THE LATEST REVISION.</small>		DWN	S. WELDON	19 JAN 2000	AMP Incorporated Harrisburg, PA 17105-3608
DIMENSIONS: INCHES		CHK	M. CHACKO	19 JAN 2000	
TOLERANCES UNLESS OTHERWISE SPECIFIED: 0 PLC ± 1 PLC ± 2 PLC ± 3 PLC ±0.005 4 PLC ± ANGLES ± FINISH ±		APVD	M. CHACKO	19 JAN 2000	
MATERIAL		PRODUCT SPEC	NAME CABLE CLAMP KIT, UNASSEMBLED, RIGHT ANGLE, SIZE 23, CPC		
CUSTOMER DRAWING		APPLICATION SPEC	SIZE CAGE CODE DRAWING NO A200779 C-796382		RESTRICTED TO
		WEIGHT	SCALE 2:1		SHEET 1 OF 1 REV D